

TABLE OF CONTENTS

<u>PART DESCRIPTION</u>	<u>PAGE</u>
<u>BODYSHELL AND PANELS 10-30</u>	
<u>PARTIAL BODY</u>	<u>10</u>
<u>CHASSIS BLANKING PLUGS</u>	<u>11</u>
<u>FRONT END CRASH LIMITER</u>	<u>11</u>
<u>FRONT TOWING LUG</u>	<u>11</u>
<u>FRONT CLOSING PANEL</u>	<u>11</u>
<u>DIFFUSER AND FIXINGS</u>	<u>12</u>
<u>SHEAR PANEL</u>	<u>13</u>
<u>REAR SUBFRAME</u>	<u>14</u>
<u>FRONT CLAMSHELL AND FIXINGS</u>	<u>15</u>
<u>BONNET PANEL</u>	<u>16</u>
<u>BONNET HINGE</u>	<u>16</u>
<u>BONNET LOCK</u>	<u>16</u>
<u>BONNET LOCK RELEASE CABLE</u>	<u>17</u>
<u>RADIATOR GRILLE</u>	<u>18</u>
<u>SIDE PANEL</u>	<u>19</u>
<u>DOOR SHELL</u>	<u>20</u>
<u>DOOR HINGE AND FITTINGS</u>	<u>20</u>
<u>BULKHEAD PANEL</u>	<u>22</u>
<u>REAR CLAMSHELL AND FIXINGS</u>	<u>23</u>
<u>ENGINE COVER PANEL</u>	<u>24</u>
<u>ENGINE COVER HINGE</u>	<u>24</u>
<u>ENGINE COVER STAY</u>	<u>25</u>
<u>FOLDING ROOF</u>	<u>27</u>

HARD TOP	28
WINDSCREEN FRAME	29
ROLL-OVER BAR	30

BODY EXTERIOR FITTINGS 32-38

STONE PROTECTION	32
NAMEPLATES AND DECALS	33
WHEELHOUSE LINER	34
REAR VIEW DOOR MIRROR	36
WINDSCREEN	37
DOOR OUTER HANDLE	38

BODY INTERIOR FITTINGS 40-63

DASH PANEL INSULATOR	40
FRONT FLOOR INSULATOR	40
LOAD COMPARTMENT INSULATOR	40
REAR FLOOR INSULATOR	40
DASH PANEL WATER DEFLECTOR	40
INSTRUMENT PANEL COVER	41
INSTRUMENT PANEL COWL	41
INSTRUMENT PANEL PAD	42
SWITCH PANEL	42
AIR DUCTS	43
DISTRIBUTION HOUSING AND HEATER AND VENTILATION AIRFLOW	43
HEATER CONTROLS	44
HEATER HOSES AND FIXINGS	45
DOOR WEATHERSTRIP	47
DOOR WINDOW RECESS	47
LOAD COMPARTMENT	47
DOOR LOCKING MECHANISM	48

WINDOW REGULATOR DOOR	51
WINDOW GUIDE RAIL DOOR	51
GLASS RUN CHANNEL DOOR	52
WINDOW REGULATOR HANDLE DOOR	52
FRONT TUNNEL CONSOLE	53
PEDALS AND FIXINGS	54
FOOT REST	55
SEAT ASSEMBLY LHD	56
SEAT ASSEMBLY RHD	57
SEAT ASSEMBLY LHD	58
SEAT MOUNTINGS	60
SEAT BELTS	61
REAR VIEW MIRROR INTERIOR	62
LOAD COMPARTMENT	63

BODY INTERIOR TRIM 65-70

SILL PANEL MOULDING	65
DOOR TRIM	66
ROOF TRIM PANEL FOR HARD TOP SECTION	68
FLOOR MATS AND CARPETS	69
LOAD COMPARTMENT CARPET	70

ENGINE AND CLUTCH 72-89

ENGINE ASSEMBLY	72
SHORT MOTOR	72
ENGINE MOUNTINGS FRONT ENGINE MOUNTING	73
ENGINE MOUNTINGS RIGHT ENGINE MOUNTING	73
ENGINE MOUNTINGS LEFT ENGINE MOUNTING	73
ENGINE MOUNTINGS REAR ENGINE MOUNTING	73
CYLINDER BLOCK	74
CYLINDER BLOCK PLUGS Z22SE PETROL ENGINE	74
PISTON AND RINGS STANDARD	75

PISTON AND RINGS OVERSIZE	75
CONNECTING ROD Z22SE PETROL ENGINE	75
CONNECTING ROD BEARINGS	75
CRANKCASE VENTILATION	76
WATER PUMP AND FITTINGS	76
OIL PUMP AND FITTINGS	76
OIL PAN AND FITTINGS	78
OIL LEVEL INDICATOR Z22SE PETROL ENGINE	78
OIL LEVEL SENSOR Z22SE PETROL ENGINE	78
OIL COOLER RADIATOR	79
OIL FILTER Z22SE PETROL ENGINE	79
CYLINDER HEAD. PLUGS AND GASKET	80
VALVES. INLET AND EXHAUST	80
CAMSHAFT	82
CYLINDER HEAD COVER AND GASKET	82
OIL FILLER CAP Z22SE PETROL ENGINE	82
TIMING CHAIN. GEAR AND PULLEYS	83
CRANKSHAFT	84
CRANKSHAFT BEARINGS AND SEALS Z22SE PETROL ENGINE	84
CRANKSHAFT BEARING GUIDE Z22SE PETROL ENGINE	84
CRANKSHAFT PULLEY Z22SE PETROL ENGINE	84
ENGINE VIBRATION DAMPER Z22SE PETROL ENGINE	84
BALANCE UNIT	84
FLYWHEEL AND FITTINGS Z22SE PETROL ENGINE	86
CLUTCH	87
CLUTCH PEDAL AND FIXINGS	88
CLUTCH PIPES AND HOSES	89

COOLING 91-96

RADIATOR AND THERMOSTAT SWITCH	91
RADIATOR HOUSING	91
HEADER TANK	92
HOSES AND PIPES	92

WATER PUMP AND FITTINGS	94
THERMOSTAT. HOUSING AND WATER OUTLET	95
FAN AND DRIVE	96

FUEL AND EXHAUST 98-110

FUEL TANK	98
FUEL PUMP	99
FUEL PIPES AND FITTINGS	100
FUEL FILTER	100
FUEL EVAPORATION TANK	101
ACCELERATOR PEDAL	103
AIR CLEANER	104
INDUCTION MANIFOLD	105
EXHAUST MANIFOLD	106
THROTTLE VALVE BODY	107
FUEL INJECTION DISTRIBUTION	107
EXHAUST GAS RECIRCULATION	109
EXHAUST PIPE. SILENCER AND CATALYTIC CONVERTER	110

TRANSMISSION 113-115

TRANSMISSION ASSEMBLY	113
MAINSHAFT GEARS	113
GEARSHIFT LEVER	114
GEARSHIFT CABLE	115

BRAKES 117-125

BRAKE PEDAL	117
BRAKE MAIN CYLINDER	118
ABS HYDRAULIC UNIT	119

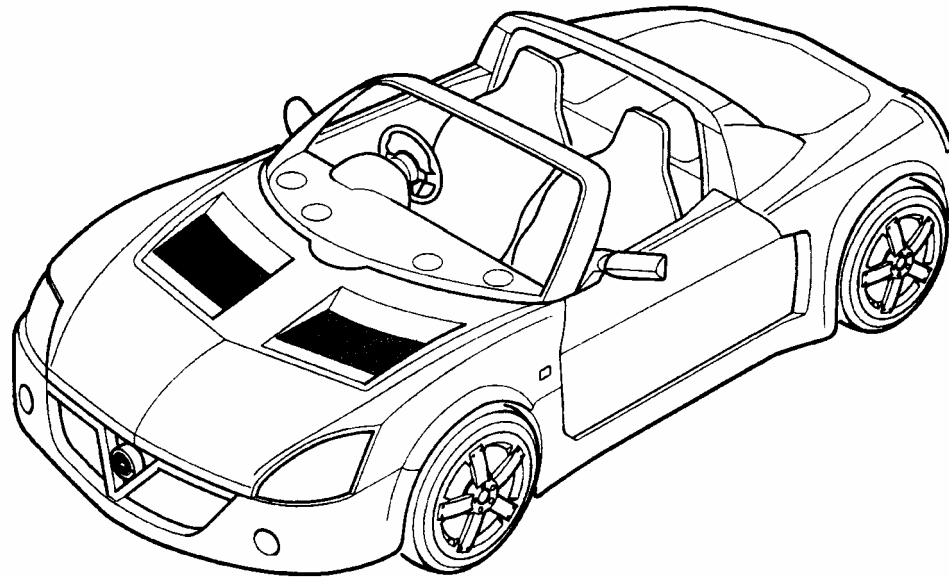
BRAKE PIPES AND HOSES LHD	121
BRAKE PIPES AND HOSES RHD	122
FRONT BRAKE DISC CALIPER	123
REAR BRAKE DISC CALIPER	124
HANDBRAKE LEVER	125
HANDBRAKE CABLE	125
<u>FRONT AXIL AND SUSPENSION 128-132</u>	
FRONT HUB	128
FRONT SHOCK ABSORBERS	129
FRONT WISHBONES	130
FRONT SUSPENSION STABILIZER BAR	132
<u>STEERING 134- 139</u>	
STEERING WHEEL	134
AIR BAG	134
STEERING COLUMN	135
STEERING GEAR	138
STEERING TIE ROD	139
<u>REAR AXIL AND SUPENSION 141-146</u>	
REAR HUB	141
REAR SHOCK ABSORBERS	142
REAR WISHBONES	143
TRACK CONTROL ARM	145
REAR AXLE DRIVE SHAFT	146
<u>WHEELS 148</u>	
ROAD WHEELS	148
TYRES	148
WHEEL COVERS	148

ELECTRICAL 150-174

BATTERY	150
SPARK PLUG OPEL ENGINE AND COOLING	150
STARTER	151
STARTER SWITCH ENGINE AND COOLING	151
ALTERNATOR	152
DRIVE BELT	154
ELECTRONIC IGNITION CONTROLUNIT	155
OIL PRESSURE SWITCH	156
WATER TEMPERATURE SENSOR	156
CRANKSHAFT SPEED SENSOR ENGINE AND COOLING	156
KNOCK LIMIT SENSOR	156
FUEL PUMP	157
CATALYTIC CONVERTER SENSOR	157
FUEL INJECTION CONTROL UNIT	157
AXLE SPEED SENSOR	157
HANDBRAKE WARNING LIGHT SWITCH	158
STOP LAMP SWITCH	158
INSTRUMENTS	159
HEADLAMPS	160
HEADLAMP FITTINGS	160
LIGHTING SWITCH	161
MULTI-PURPOSE SWITCH	161
HAZARD WARNING SWITCH	161
FLASHER UNIT	161
FRONT FOGLAMP AND FIXINGS	161
FRONT FOGLAMP SWITCH	161
SIDE REPEATER LAMP AND FIXINGS	162
ADDITIONAL BRAKE LAMP	162
ROOF LAMP AND FITTINGS	163
DOOR HARNESS	163
FRONT BODY WIRING HARNESS	163

MAIN WIRING HARNESS	164
ENGINE WIRING HARNESS	164
REAR BODY WIRING HARNESS	166
FOGLAMP HARNESS	166
RADIATOR BLOWER FAN HARNESS	166
ADDITIONAL BRAKE LAMP WIRING HARNESS	166
BATTERY LEADS CABLES	167
FUSE BOX	168
RELAY BOX	168
HORN AND FITTINGS	170
HORN CONTACT	170
AIR BAG CONTROL UNIT	170
WINDSCREEN WIPER	171
WINDSCREEN WASHER	172
WINDSCREEN WIPER AND WASHER SWITCH	172
CIGARETTE LIGHTER	173
LOUDSPEAKERS	173
AERIAL	173
ANTI-THEFT WARNING SYSTEM	173
ENGINE IMMOBILIZER CONTROL UNIT	174

BODYSHELL AND PANELS

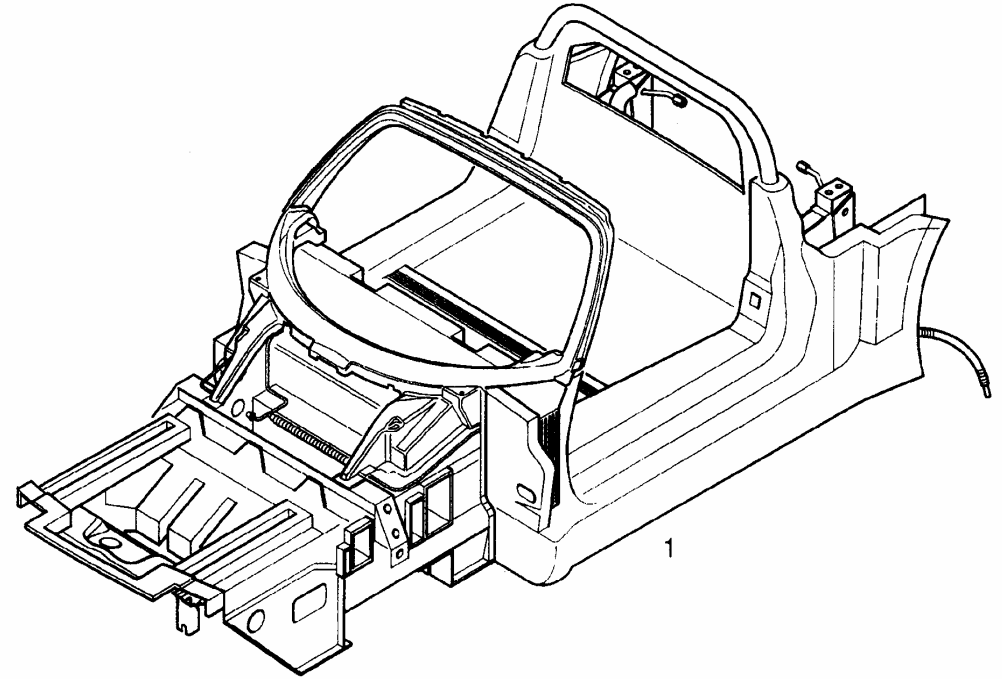


A1 Ref	Part Description	Qty	Part No
--------	------------------	-----	---------

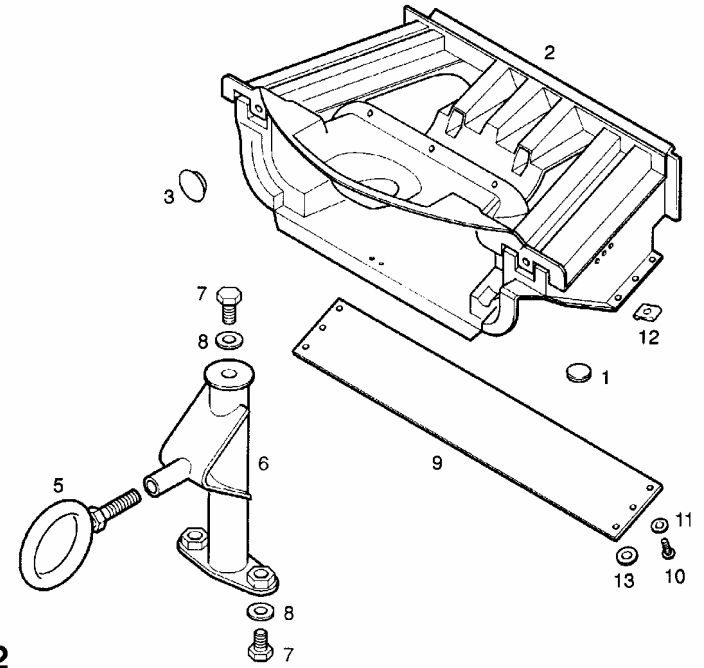
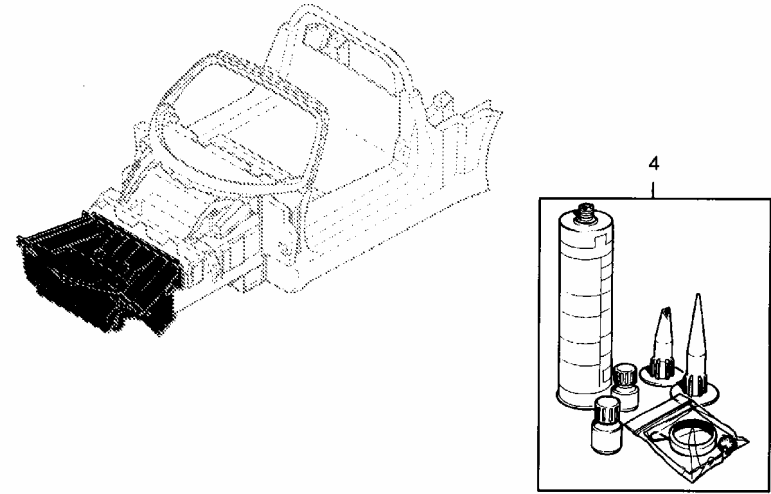
Note: PARTIAL BODY INCLUDES HARNESSSES. CABLES. HOSES AND PIPES

PARTIAL BODY

1	PARTIAL BODY. WITH CHASSIS. LHD	1	9197032
1	PARTIAL BODY. WITH CHASSIS. RHD	1	9197033

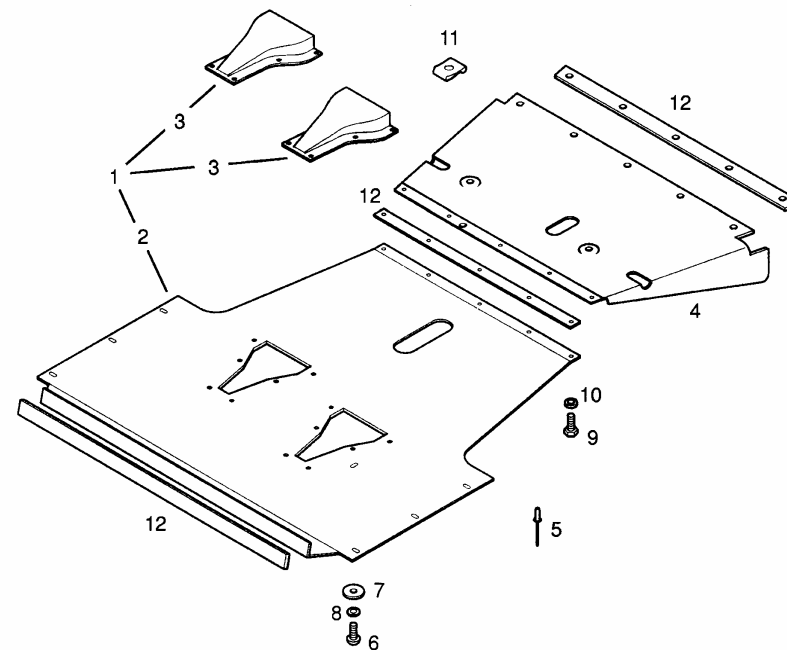
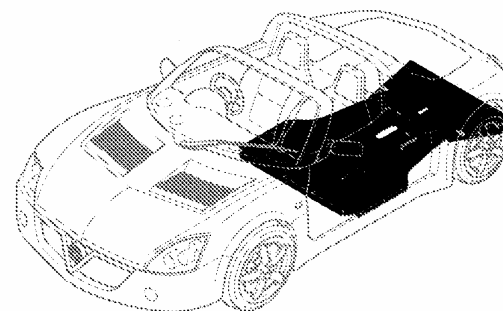


A2 Ref	Part Description	Qty	Part No
CHASSIS BLANKING PLUGS			
1	PLUG. FRONT FLOOR PANEL. 10.3MM	2	9197750
FRONT END CRASH LIMITER			
2	CRASH LIMITER. FRONT END	1	9197042
3	GROMMET. CRASH LIMITER	2	9197272
4	SET. GLUE. FRONT END CRASH LIMITER	1	90541160
FRONT TOWING LUG			
5	LUG. TOWING. FRONT	1	9197167
6	BRACKET. FRONT TOWING	1	9197166
7	SCREW. HEX.HD.. M8 X 12. TOWING LUG MOUNTING BRACKET	3	9197164
8	WASHER. M8 X 25. TOWING LUG MOUNTING BRACKET	3	9197165
FRONT CLOSING PANEL			
9	CLOSING PANEL. ASSY.. FRONT	1	9197041
10	SCREW. TORX. M6 X 20. CLOSING PANEL TO CRASH LIMITER	3	9197259
11	WASHER. 6 X 15. CLOSING PANEL TO CRASH LIMITER	3	9198128
12	CLIP. NUT. M5. CLOSING PANEL TO CRASH LIMITER	6	9197269
13	WASHER. 3/16 X 1/2. CLOSING PANEL TO CRASH LIMITER	6	9198016



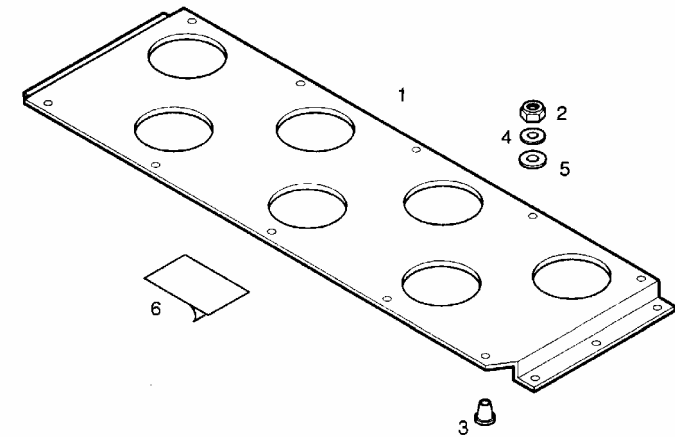
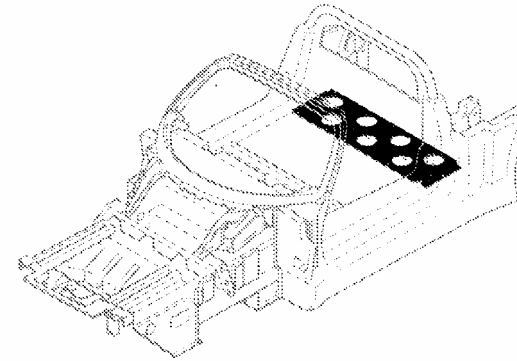
A2

A3 Ref	Part Description	Qty	Part No
DIFFUSER AND FIXINGS			
1	DIFFUSER. ASSY.. FRONT (NLS.)	1	(9197160)
2	-PANEL. DIFFUSER	1	9197161
3	-DUCT. AIR (NACA)	2	9197159
4	DIFFUSER. ASSY.. REAR	1	9197162
5	RIVET. BLIND. DIFFUSER TO UNDERBODY (NLS.)	10	9197729)
6	SCREW. RD.HD.. M8 X 25. DIFFUSER TO UNDERBODY	4	9197345
7	WASHER. M8 X 25. DIFFUSER TO UNDERBODY	4	9197794
8	WASHER. SPRING. 8MM ID. DIFFUSER TO UNDERBODY	4	9198227
9	SCREW. HEX.HD.. M5 X 16. DIFFUSER TO UNDERBODY	16	9198015
10	WASHER. 3/16 X 3/4. DIFFUSER TO UNDERBODY	16	9198016
11	CLIP. NUT. M5. DIFFUSER TO UNDERBODY	16	9197269
12	FOAM RUBBER. ANTI-RATTLE. 10 X 6MM	1	9197670



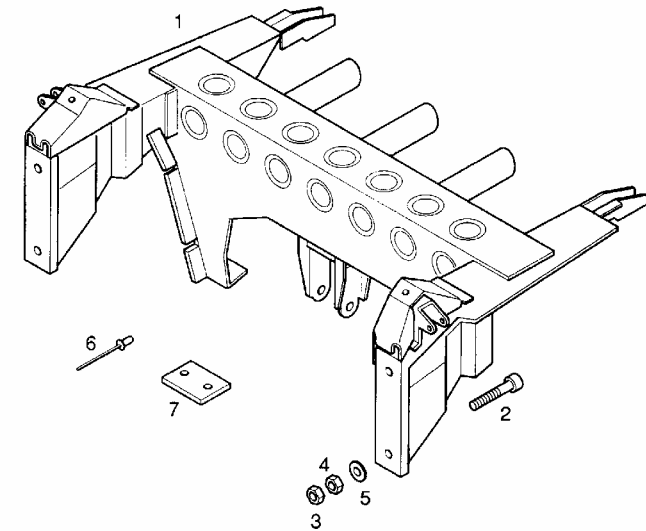
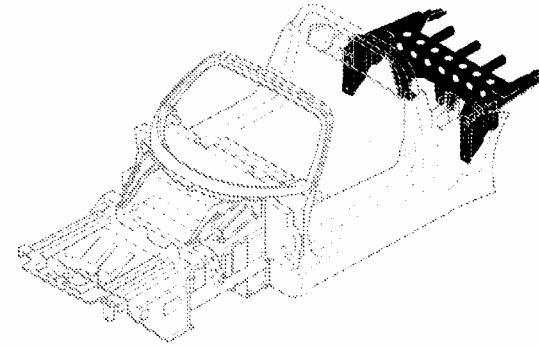
A3

A4 Ref	Part Description	Qty	Part No
SHEAR PANEL			
1	PANEL. SHEAR	1	9197037
2	NUT. HEX.. SELF LOCKING. M8. SHEAR PANEL TO CHASSIS	5	9198205
3	NUT. RIVET. M8. SHEAR PANEL TO CHASSIS	5	9197756
4	WASHER. M8 X 16.6. SHEAR PANEL TO CHASSIS	5	9197795
5	WASHER. 3/16 X 1/2 X 16. SHEAR PANEL TO SIDEMEMBER	6	9197743
6	LABEL. WARNING	2	9197730



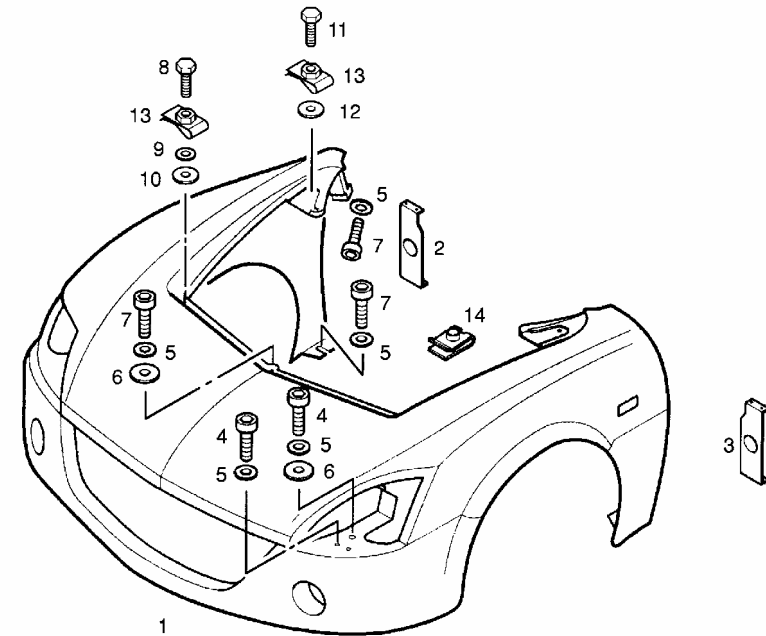
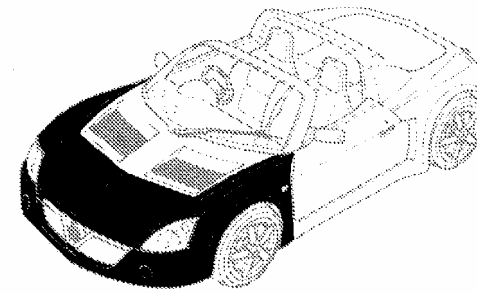
A4

A5 Ref	Part Description	Qty	Part No
	REAR SUBFRAME		
1	SUBFRAME. ASSY.. REAR	1	9197768
2	SCREW. SOCKET HD.. M12 X 60. SUBFRAME TO CHASSIS	4	9197986
3	NUT. HEX.. SELF LOCKING. M12. SUBFRAME TO CHASSIS	2	9197989
4	NUT. HEX.. M10. SUBFRAME TO CHASSIS	2	9198086
5	WASHER. 12 X 23.5. SUBFRAME TO CHASSIS	6	9198226
6	NUT. RIVET. M6. CROSSMEMBER. UPPER	2	9197763
6	NUT. RIVET. M6. SIDEMEMBER LEG	2	9197763
7	SHIM. ADAPTER PLATE	2	9197764
-	SHIELD. HEAT. REAR SILENCER. REAR SUBFRAME	1	9198122
-	WASHER. 3/16 X 3/4. HEAT SHIELD TO SUBFRAME	5	9198108
-	RIVET. BLIND. HEAT SHIELD TO SUBFRAME	4	9198114
-	NUT. HEX.. SELF LOCKING. M6. HEAT SHIELD TO SUBFRAME	4	9198220
-	WASHER. SPRING. M6. HEAT SHIELD TO SUBFRAME	6	9198009



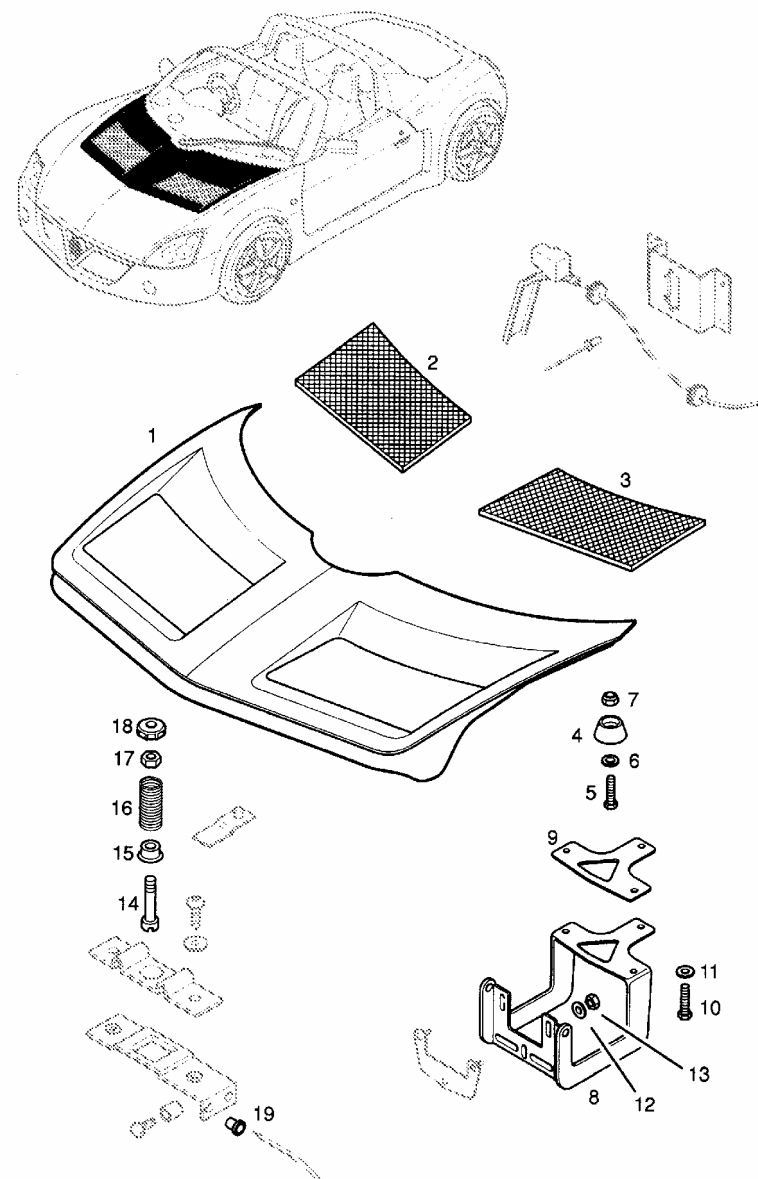
A5

A6 Ref	Part Description	Qty	Part No
FRONT CLAMSHELL AND FIXINGS			
1	PANEL. ASSY.. CLAMSHELL. FRONT	1	9197014
2	BRACKET. CLAMSHELL TO 'A' PILLAR. RH	1	9197012
3	BRACKET. CLAMSHELL TO 'A' PILLAR. LH	1	9197011
4	SCREW. RD.HD.. M8 X 25. CLAMSHELL TO BULKHEAD	4	9197006
5	WASHER. 25 X 8 X 3MM. CLAMSHELL TO BULKHEAD	4	9197003
6	WASHER. M8 X 20.5. CLAMSHELL TO BULKHEAD	2	9197005
7	SCREW. RD.HD.. M8 X 25. CLAMSHELL TO CHASSIS	5	9197006
8	SCREW. HEX.HD.. M6 X 20. CLAMSHELL TO CRASH LIMITER	2	9198127
9	WASHER. 6 X 15. CLAMSHELL TO CRASH LIMITER	2	9198128
10	WASHER. 25 X 8. CLAMSHELL TO CRASH LIMITER	2	9197003
11	SCREW. HEX.HD.. M5 X 16. CLAMSHELL TO CRASH LIMITER	9	9198015
12	WASHER. 3/16 X 3/4. CLAMSHELL TO CRASH LIMITER	9	9198016
13	NUT. CLIP. M5. CLAMSHELL TO CRASH LIMITER	9	9197269
14	NUT. PLATE. M8. CLAMSHELL MOUNTING. LOWER	1	9197017



A6

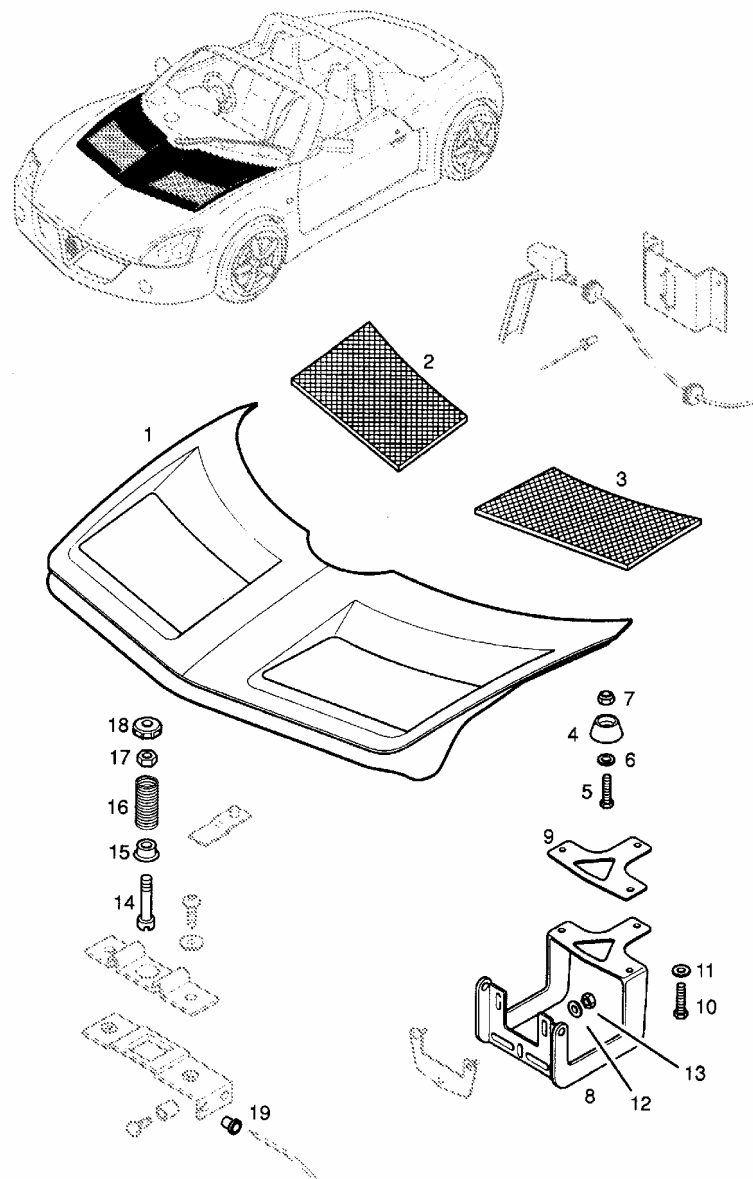
A7 Ref	Part Description	Qty	Part No
BONNET PANEL			
1	PANEL. BONNET	1	9197061
2	GRILLE. BONNET DUCT. RH	1	9197059
3	GRILLE. BONNET DUCT. LH	1	9197060
4	STOP. BONNET PANEL	4	9197008
5	SCREW. HEX.HD.. M8 X 35. BONNET STOP TO CLAMSHELL	2	9197002
6	WASHER. M8. BONNET STOP TO CLAMSHELL	2	9197005
7	NUT. HEX.. SELF LOCKING. M8. BONNET STOP TO CLAMSHELL	2	9198239
BONNET HINGE			
8	HINGE. ASSY.. BONNET	1	9197031
9	PLATE. HINGE SUPPORT	1	9197664
10	SCREW. HEX.HD.. M8 X 12. HINGE TO BONNET	3	9197164
11	WASHER. M8 X 25. BONNET HINGE	3	9197007
12	WASHER. 8 X 20. HINGE TO RADIATOR HOUSING	3	9198228
13	NUT. HEX.SELFLOCKING. M8. HINGE TO RADIATOR HOUSING	3	9197871
BONNET LOCK			
14	BOLT. PILOT. BONNET LOCK	1	9197065
15	WASHER. CUP. BONNET LOCK	1	9197077
16	SPRING. THRUST. BONNET LOCK	1	9197078
17	NUT. SPECIAL. BONNET LOCK	1	9197076
18	NUT. PLATE. M10. LATCH	1	9197044



A7

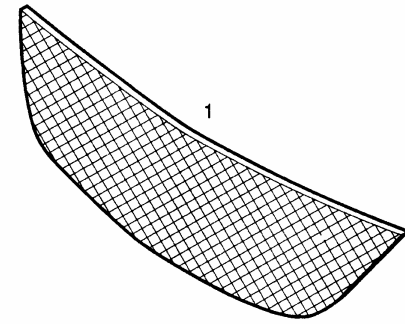
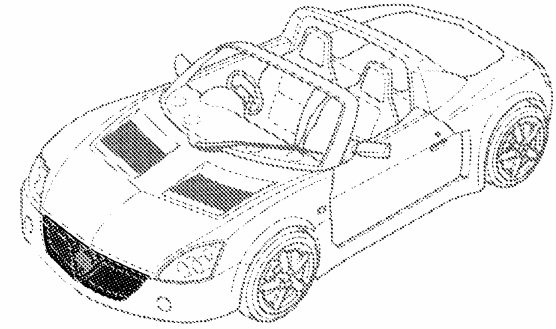
BONNET LOCK RELEASE CABLE

-	CABLE. BONNET LOCK RELEASE	1	90520128
-	CABLE. BONNET LOCK RELEASE. LHD	1	90159584
19	GROMMET. BONNET LOCK RELEASE CABLE	2	9197706
-	BRACKET. HANDLE	1	9197643



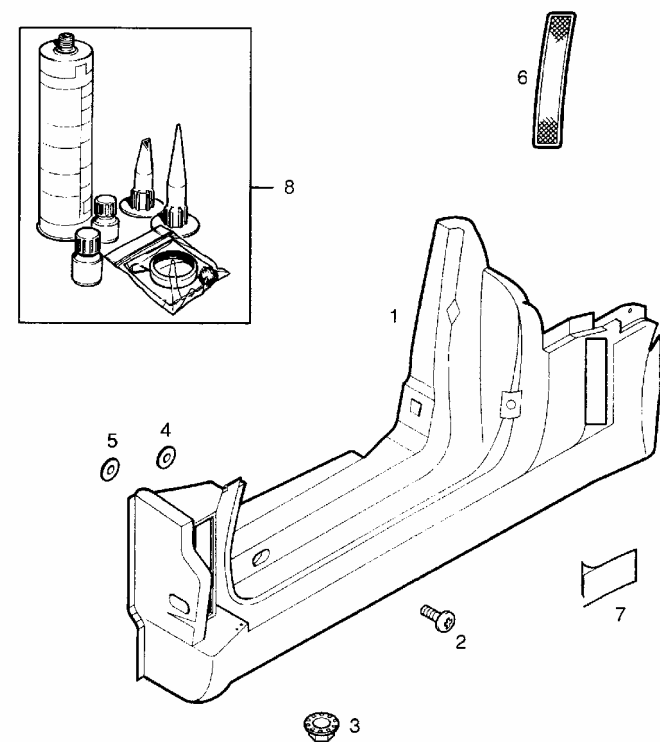
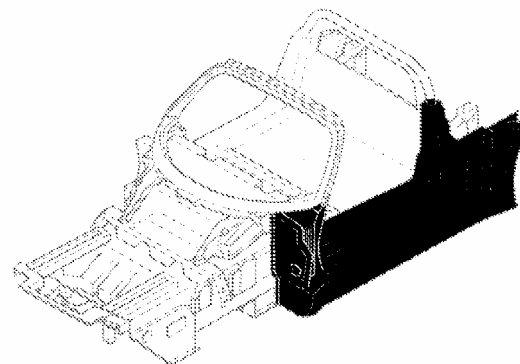
A7

A8 Ref	Part Description	Qty	Part No
	RADIATOR GRILLE		
1	GRILLE. RADIATOR. INLET	1	9197168
-	BRACKET. RADIATOR GRILLE. INLET	6	9197068
-	GRILLE. RADIATOR (EXCEPT FRONT FOGLAMPS)	2	9197063
-	BRACKET. RADIATOR GRILLE (EXCEPT FRONT FOGLAMPS)	2	9197067



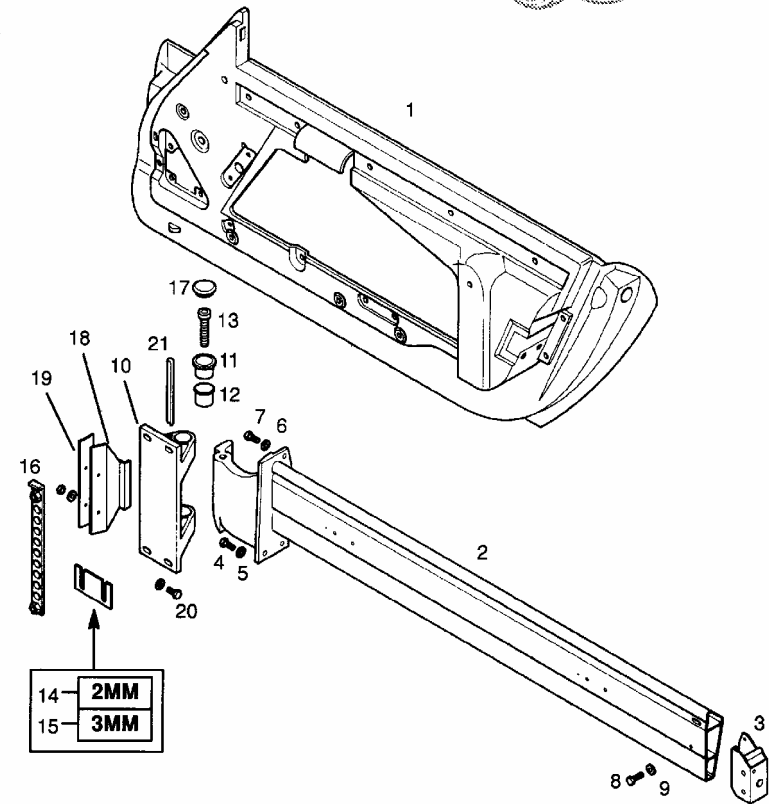
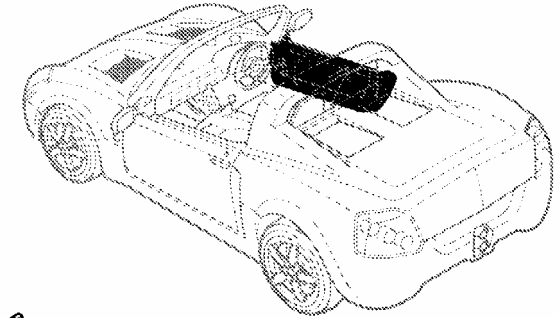
A8

A9 Ref	Part Description	Qty	Part No
	SIDE PANEL		
1	PANEL. ASSY.. SIDE OUTER. RH	1	9197174
1	PANEL. ASSY.. SIDE OUTER. LH	1	9197173
2	SCREW. RD.HD.. M8 X 25. SIDE PANEL TO FRONT CLAMSHELL	2	9197006
3	NUT. SPECIAL. M8. SIDE PANEL TO FRONT CLAMSHELL	2	9197017
4	WASHER. M8 X 20.5. SIDE PANEL TO FRONT CLAMSHELL	2	9197005
5	WASHER. M6. SIDE PANEL TO 'A' PILLAR	8	9197687
6	GRILLE. ENGINE COMPARTMENT AIR INTAKE. RH	1	9197320
6	GRILLE. ENGINE COMPARTMENT AIR INTAKE. LH	1	9197319
7	LABEL. CAUTION. JACK	2	9197731
8	SET. GLUE. SIDE PANEL	AR	90541160
-	FOAM. B-PILLAR. RH	1	9197185
-	FOAM. B-PILLAR. LH	1	9197188



A9

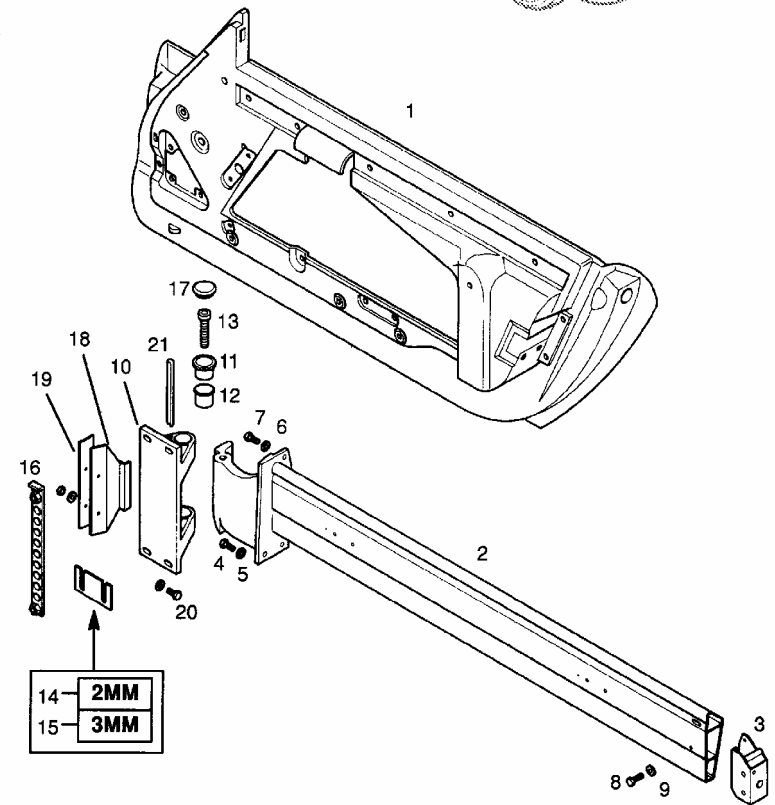
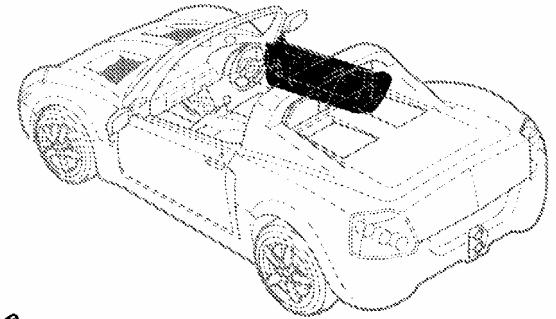
A10 Ref	Part Description	Qty	Part No
DOOR SHELL			
1	SHELL. DOOR. RH	1	9197175
1	SHELL. DOOR. LH	1	9197127
2	BEAM. DOOR. RH	1	9197117
2	BEAM. DOOR. LH	1	9197118
3	BRACKET. DOOR BEAM TO DOOR SHELL. RH	1	9197125
3	BRACKET. DOOR BEAM TO DOOR SHELL. LH	1	9197126
4	SCREW. HEX.HD.. M6 X 20. DOOR BEAM TO DOOR SHELL. FRONT	4	9198127
5	WASHER. 15 X 6 X1.5. DOOR BEAM TO DOOR SHELL. FRONT	4	9198128
6	WASHER. M8 X 16.6. DOOR BEAM TO DOOR SHELL. FRONT	4	9198224
7	SCREW. HEX.HD.. M8 X 20. DOOR BEAM TO DOOR SHELL. FRONT	2	9198107
8	SCREW. HEX.HD.. M8 X 25. DOOR BEAM TO DOOR SHELL. REAR	2	9198017
9	WASHER. M8 X 16.6. DOOR BEAM TO DOOR SHELL. REAR	4	9198224
DOOR HINGE AND FITTINGS			
10	HINGE. DOOR	2	9197100
11	BEARING. DOOR HINGE	4	9197107
12	BUSH. DOOR HINGE	4	9197102
13	SCREW. SOCKET HD.. M10 X 30. HINGE TO 'A' PILLAR	4	9197198
14	SHIM. 2MM. HINGE TO 'A' PILLAR	2	9197113
15	SHIM. 3MM. HINGE TO 'A' PILLAR	2	9197114
16	PLATE. THREADED. HINGE TO 'A'	4	9197101



A10

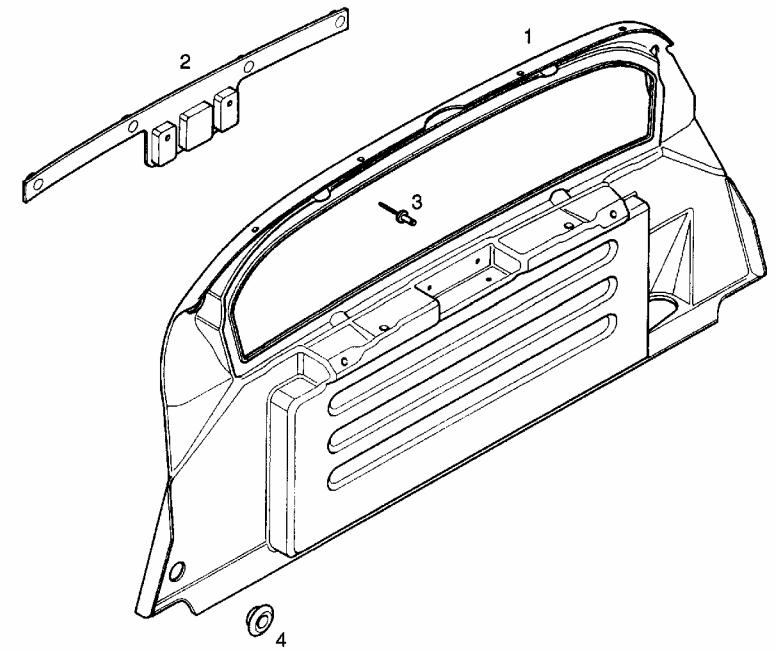
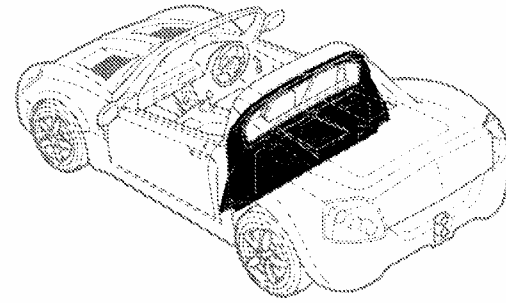
PILLAR

17	CAP. DOOR HINGE	2	9197106
18	CHECK PLATE. DOOR HINGE	2	9197115
19	SUPPORT. CHECK PLATE	2	9197116
20	SCREW. HEX.HD.. M6 X 20. DOOR CHECK PLATE TO HINGE	4	9198127
21	STOPPER. DOOR. 135MM	2	9197112



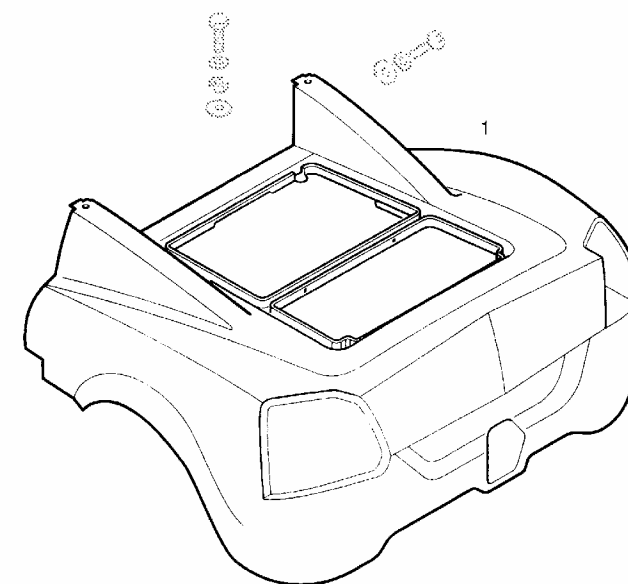
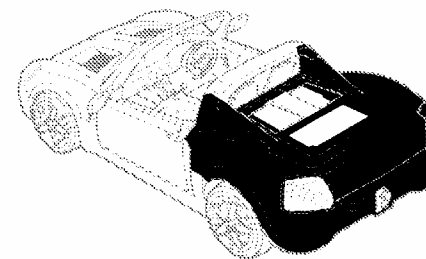
A10

A11 Ref	Part Description	Qty	Part No
BULKHEAD PANEL			
1	PANEL. ENGINE BULKHEAD	1	9197039
2	BRACKET. BULKHEAD PANEL	1	9197027
-	BRACKET. BULKHEAD PANEL	1	9197095
-	SHIELD. HEAT. BULKHEAD. ENGINE SIDE	1	9197183
-	SHIELD. HEAT. BULKHEAD. RH	1	9198120
-	SHIELD. HEAT. BULKHEAD. LH	1	9198119
3	RIVET. EXPANDING. 8MM. HEAT SHIELD TO BULKHEAD	4	9197260
4	PLUG. BLANKING. 12.5MM. BULKHEAD PANEL	AR	9197652



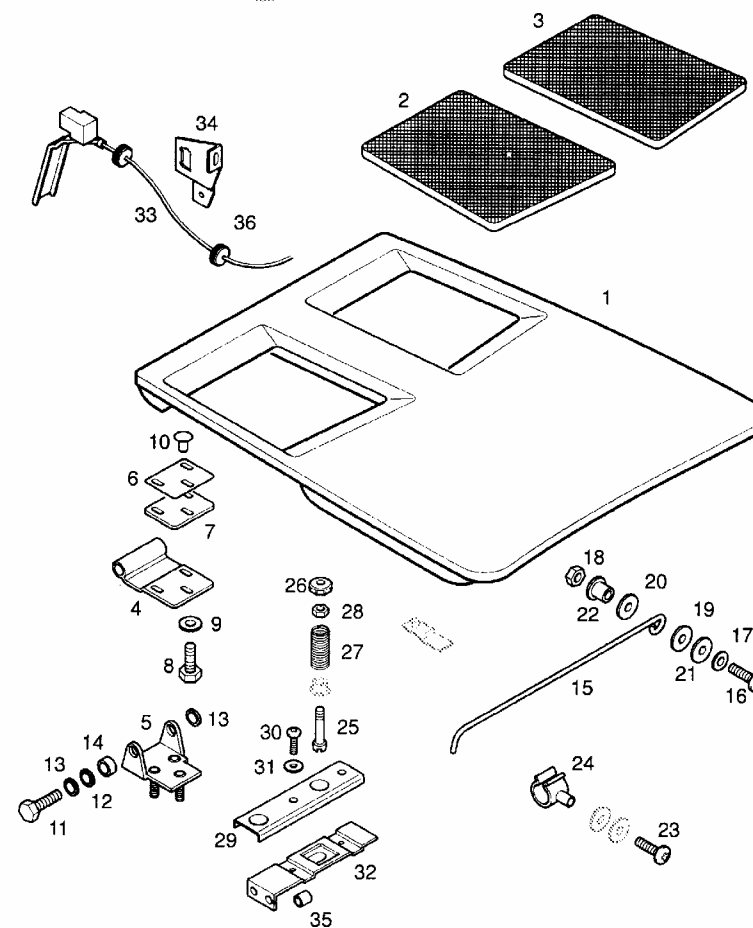
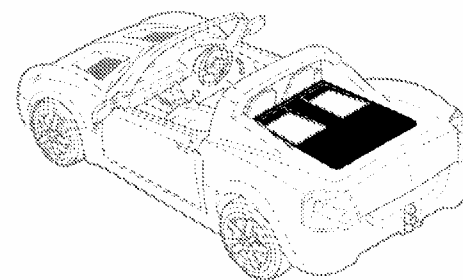
A11

A12 Ref	Part Description	Qty	Part No
REAR CLAMSHELL AND FIXINGS			
1	PANEL. ASSY.. CLAMSHELL. REAR	1	9197013
-	GRILLE. ASSY.. CENTRE VENT	1	9197000
-	SHIELD. HEAT. CLAMSHELL	1	9197712
-	MUDGUARD. ASSY.. RH	1	9197090
-	MUDGUARD. ASSY.. LH	1	9197022



A12

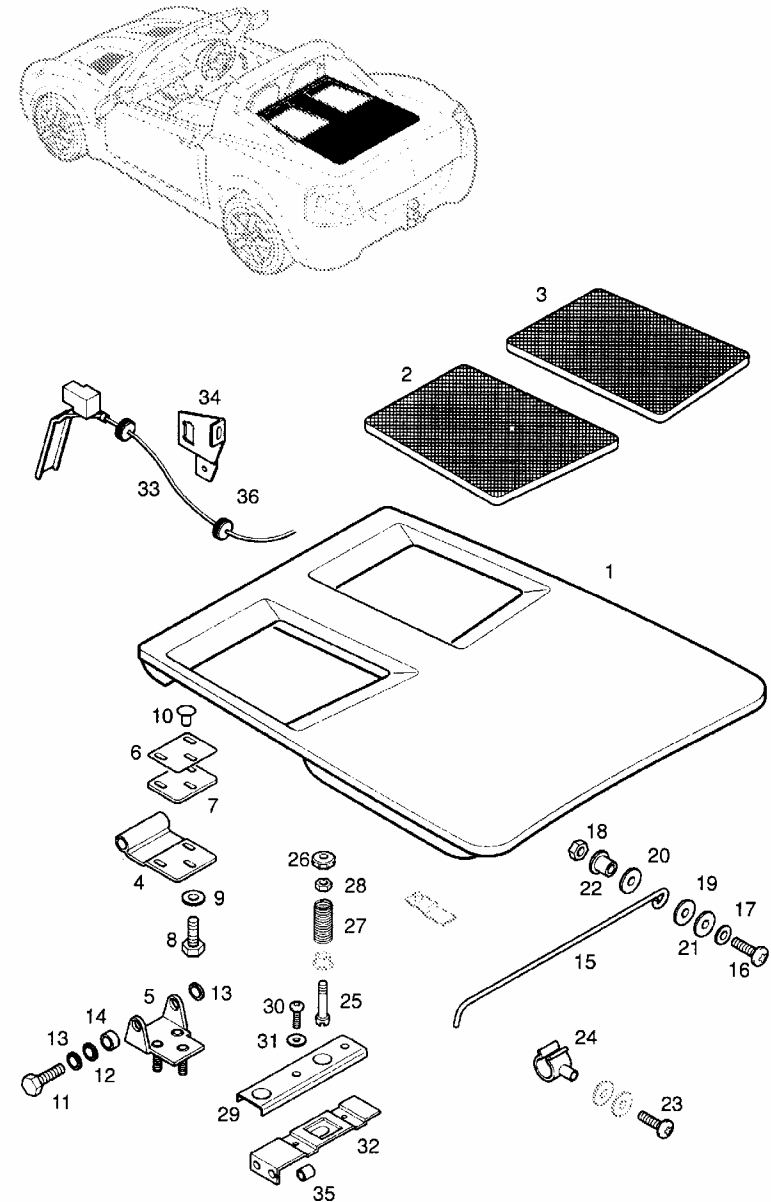
A13 Ref	Part Description	Qty	Part No
ENGINE COVER PANEL			
1	PANEL. ASSY.. ENGINE COVER	1	9197092
2	GRILLE. ENGINE COVER. RH	1	9197083
3	GRILLE. ENGINE COVER. LH	1	9197084
ENGINE COVER HINGE			
-	HINGE. ENGINE COVER. RH	1	9197189
-	HINGE. ENGINE COVER. LH	1	9197192
-	PLATE. HINGE SUPPORT	2	9197194
-	SCREW. M5 X 20. ENGINE COVER HINGE	6	9197195
-	WASHER. 3/16X3/4. ENGINE COVER HINGE	6	9198108
4	HINGE. ENGINE COVER	1	9197181
5	BRACKET. ENGINE COVER HINGE	1	9197182
6	SHIM. HINGE. 1MM (NLS.)	AR	(9197071)
7	SHIM. HINGE. 4MM (NLS.)	AR	(9197072)
8	SCREW. M6 X 25. ENGINE COVER HINGE	3	9197080
9	WASHER. M6. ENGINE COVER HINGE (NLS.)	3	(9197066)
10	BUMPER. RUBBER. ENGINE COVER HINGE (NLS.)	2	(9197179)
11	SCREW. HEX.HD.. M5 X 16. HINGE PIVOT (NLS.)	2	(9198056)
12	WASHER. SHAKEPROOF. 5MM. HINGE PIVOT (NLS.)	2	(9197704)
13	WASHER. M5 X 19. HINGE PIVOT (NLS.)	4	(9197724)
14	WASHER. SPACER. HINGE PIVOT (NLS.)	2	(9197180)



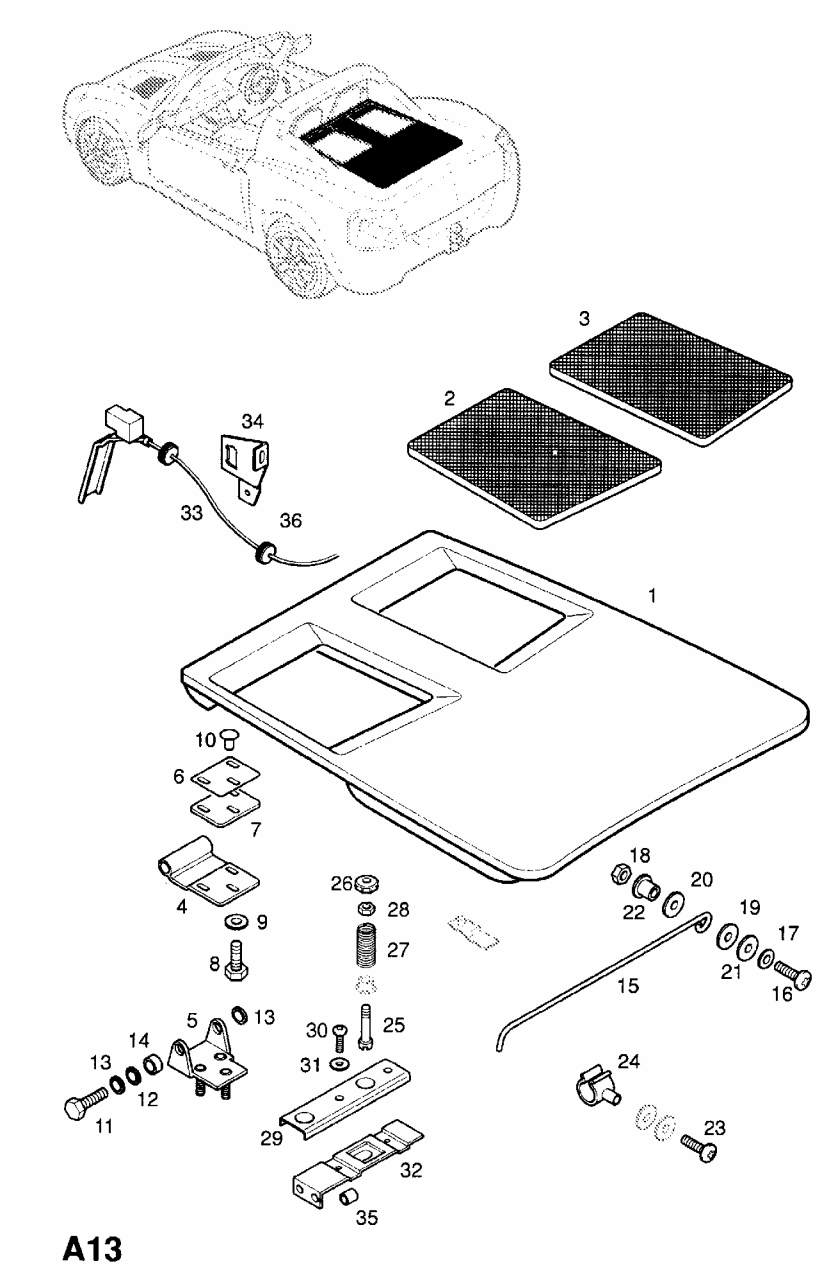
A13

ENGINE COVER STAY

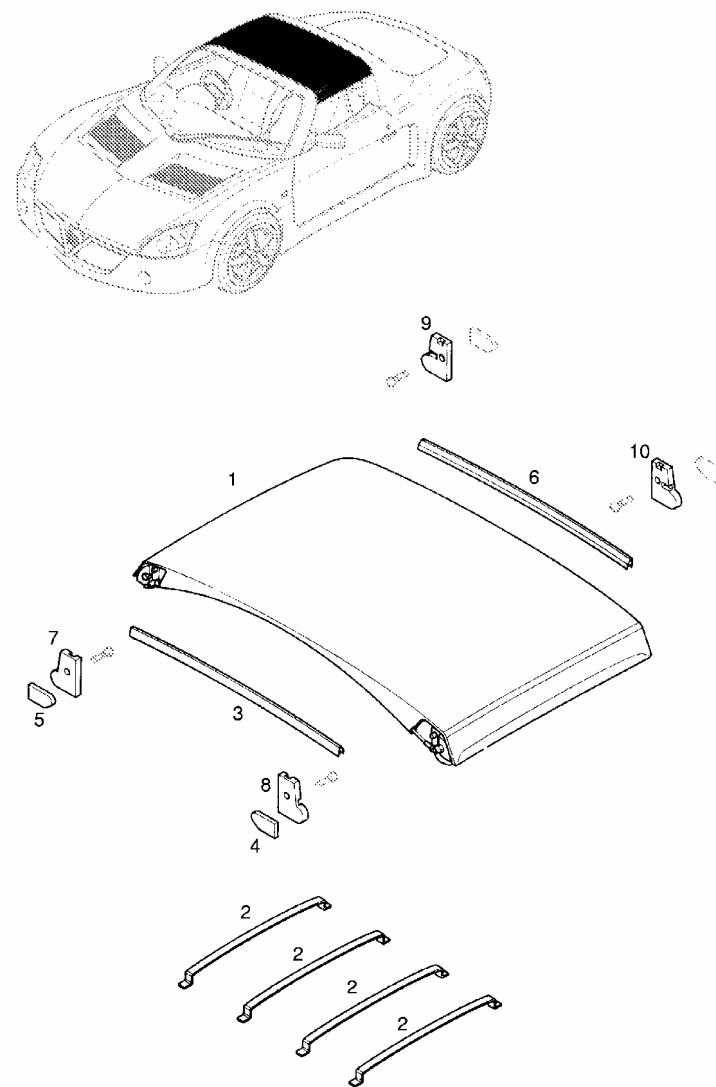
15	BRACKET. ENGINE COVER STAY	1	9197088
16	SCREW. RD.HD.. M6 X 25. ENGINE COVER STAY	1	9197270
17	WASHER. M6 X 25. ENGINE COVER STAY	1	9197268
18	NUT. HEX.SELFLOCKING. M6. ENGINE COVER STAY	1	9198151
19	WASHER. 3/16 X 1/2. ENGINE COVER STAY	1	9197649
20	WASHER. M10 X 20.5. ENGINE COVER STAY	1	9198225
21	WASHER. M10 X 20.5. ENGINE COVER STAY PIVOT	2	9198225
22	SPACER. BUSHING. ENGINE COVER STAY	1	9198010
23	SCREW. ENGINE COVER STAY RETAINING CLIP TO LOAD COMPARTMENT	1	9198130
24	CLIP. RETAINING. ENGINE COVER STAY TO LOAD COMPARTMENT	1	9198129
-	GUIDE. ENGINE COVER CHECK STRAP	1	9198008
25	BOLT. PILOT. ENGINE COVER LOCK	1	9197065
26	WASHER. CUP. ENGINE COVER LOCK	1	9197077
27	SPRING. THRUST. ENGINE COVER	1	9197078
28	NUT. SPECIAL. ENGINE COVER LOCK	1	9197076
29	NUT. PLATE. M10. LATCH	1	9197081
30	SCREW. RD. HD. M8 X 20. LOCK TO CHASSIS	2	9197062
31	WASHER. 8MM. LOCK TO CHASSIS	2	9197388
32	SLIDER. LATCH RELEASE	1	9197064



33	CABLE. ENGINE COVER RELEASE	1	9197085
34	BRACKET. ENGINE COVER RELEASE	1	9197085
35	BEZEL. ENGINE COVER RELEASE CABLE	1	9197086
36	GROMMET. ENGINE COVER RELEASE CABLE	1	9197069
-	BRACKET. ENGINE COVER RELEASE CABLE. RHD	1	9197110
-	BRACKET. ENGINE COVER RELEASE CABLE HANDLE. LHD	1	9197137
-	BRACKET. ENGINE COVER RELEASE CABLE HANDLE. RHD	1	9197111

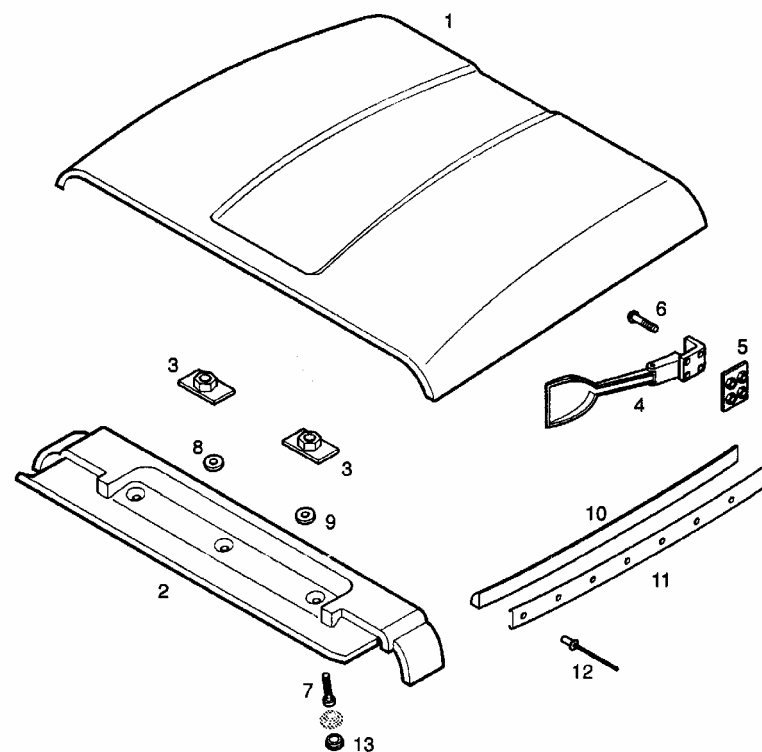
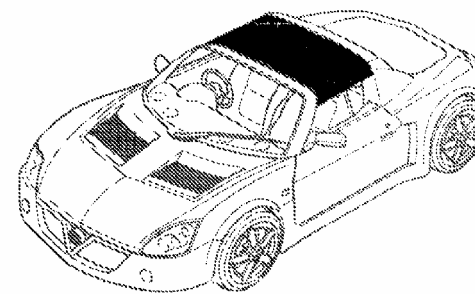


A14 Ref	Part Description	Qty	Part No
FOLDING ROOF			
1	ROOF. ASSY.. FOLDING (BLACK)	1	9197307
1	ROOF. ASSY.. FOLDING (RED)	1	9197578
1	ROOF. ASSY.. FOLDING (BLUE)	1	9197579
1	ROOF. ASSY.. FOLDING (GREEN)	1	9197579
2	BOW. ROOF	4	9197292
-	INSERT. ROOF BOW	2	9197713
-	COVER. FINISHER. FRONT	1	9197290
-	COVER. FINISHER. REAR	1	9197291
3	SEAL. HEADER RAIL. FRONT	1	9197293
4	SEAL. SIDE HEADER RAIL. FRONT. LH	1	9197285
5	SEAL. SIDE HEADER RAIL. FRONT. RH	1	9197288
6	SEAL. HEADER RAIL. REAR	1	9197294
7	BRACKET. SIDE HEADER RAIL. FRONT. RH	1	9197326
8	BRACKET. SIDE HEADER RAIL. FRONT. LH	1	9197325
9	BRACKET. SIDE HEADER RAIL. REAR. RH	1	9197328
10	BRACKET. SIDE HEADER RAIL. REAR. LH	1	9197327
-	SCREW. CSK.. M6. SIDE HEADER RAIL TO BRACKET	4	9197043
-	INSTRUCTIONS. OPERATING	1	9197736
-	DECAL. HEADER RAIL	1	9197686
-	LABEL. OPERATING INSTRUCTIONS. LH	1	9197737
-	LABEL. OPERATING INSTRUCTIONS. RH	1	919773



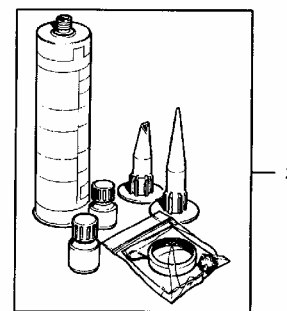
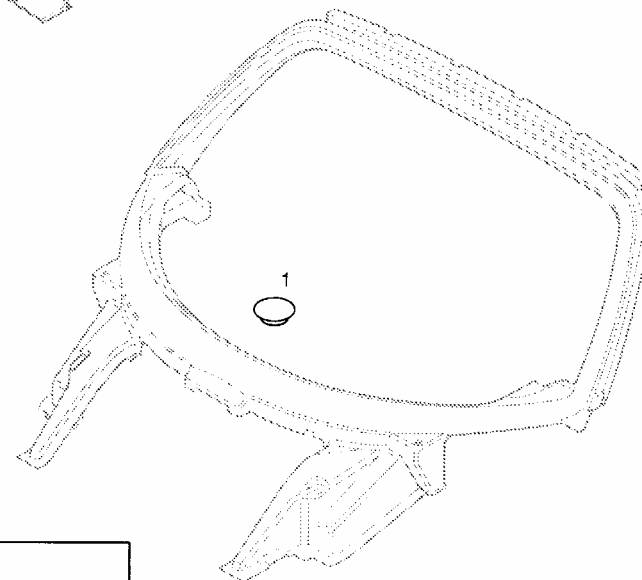
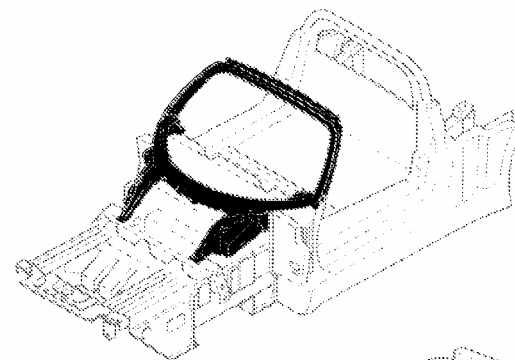
A14

A15 Ref	Part Description	Qty	Part No
	HARD TOP		
1	PANEL. ASSY.. ROOF. HARD TOP	1	9197314
2	PLATE. ASSY.. HEADER CLAMP. FRONT	1	9197306
3	PLATE. HEADER CLAMP. FRONT	1	9197305
4	LATCH. ASSY.. REAR	2	9197310
5	PLATE. RETAINING. LATCH. RH. REAR	1	9197522
5	PLATE. RETAINING. LATCH. LH. REAR	1	9197521
6	SCREW. RD.HD.. M6. LATCH FIXING. REAR	6	9197257
7	SCREW. SOCKET HD.. M8 X 18. HARD TOP FIXING . FRONT	3	9197261
8	SPACER. HEADER CLAMP TO FRONT HEADER RAIL. CENTRE	1	9197263
9	SPACER. HEADER CLAMP TO FRONT HEADER RAIL. SIDE	1	9197265
-	BRACKET. HARD TOP FIXING. INNER. RH	1	9197322
-	BRACKET. HARD TOP FIXING. INNER. LH	1	9197321
10	WEATHERSTRIP. RH	1	9197299
10	WEATHERSTRIP. LH	1	9197298
11	CARRIER. HARD TOP WEATHERSTRIP. RH	1	9197296
11	CARRIER. HARD TOP WEATHERSTRIP. LH	1	9197295
12	RIVET. WEATHERSTRIP TO CARRIER	8	9197297
13	PLUG. BLANKING. HARD TOP FIXING HOLES. FRONT	3	9197248
-	KEY. ALLEN. HARD TOP FIXING	1	9197642



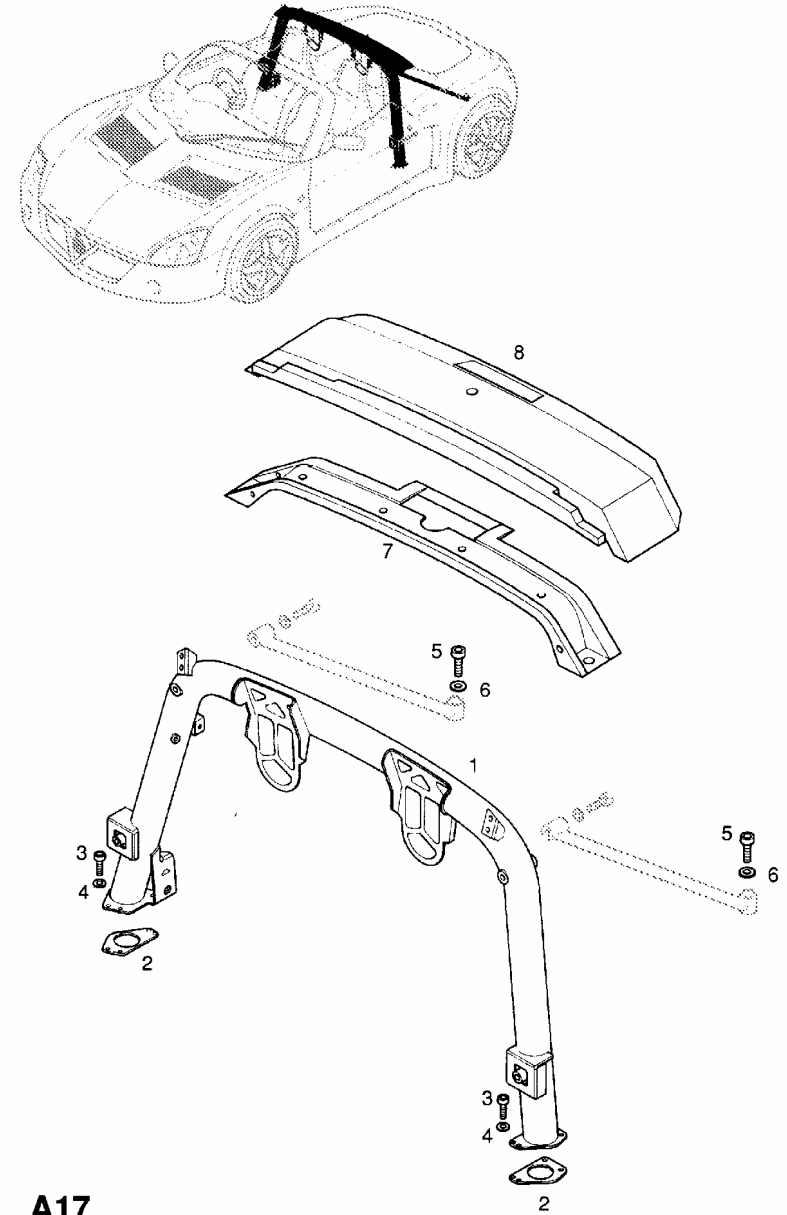
A15

A16 Ref	Part Description	Qty	Part No
WINDSCREEN FRAME			
-	FRAME. ASSY.. FRONT. WINDSCREEN	1	9197109
1	GROMMET. WINDSCREEN FRAME. LOWER	1	9197018
2	SET. GLUE. WINDSCREEN FRAME	AR	90541160

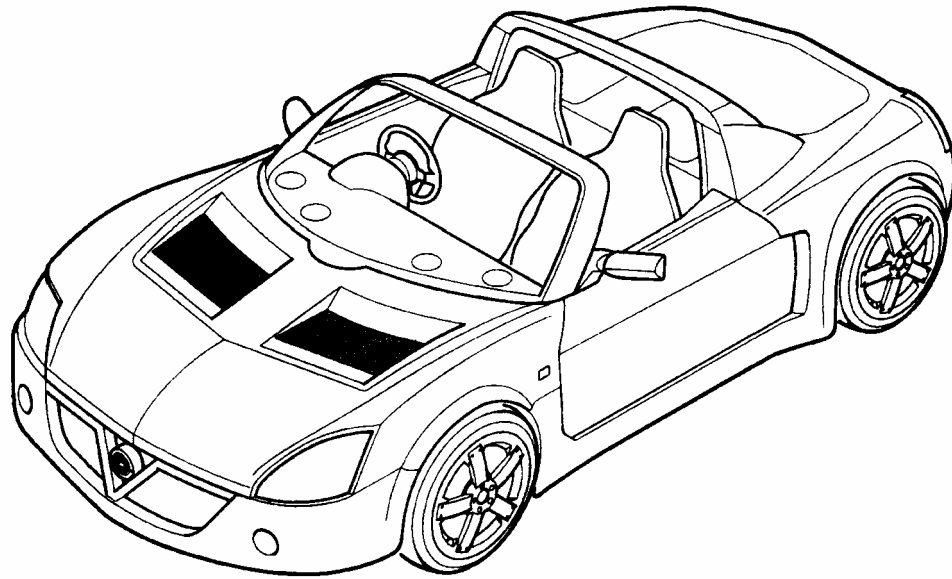


A16

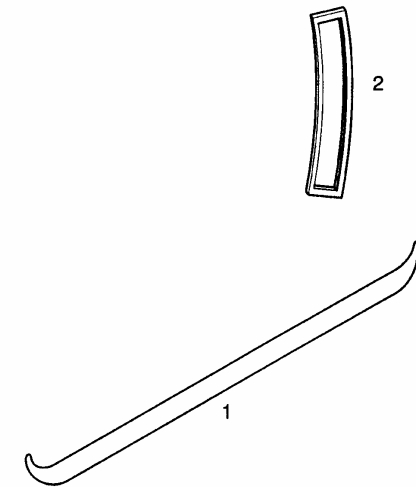
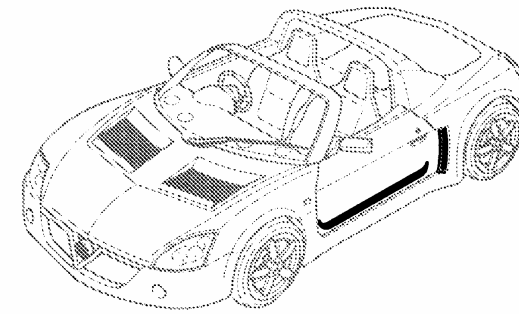
A17 Ref	Part Description	Qty	Part No
ROLL-OVER BAR			
1	BAR. ROLL-OVER. BLACK	1	9197049
2	SHIM. 2MM. ROLL-OVER BAR MOUNTING	2	9197045
3	SCREW. SOCKET HD.. M8 X 25. ROLL-OVER BAR FIXING	8	9197046
4	WASHER. M8. ROLL-OVER BAR FIXING	8	9198224
5	SCREW. SOCKET HD.. M10 X 35. ROLL-OVER BAR FIXING	2	9197047
6	WASHER. M10. ROLL-OVER BAR FIXING	2	9198225
-	GASKET. ROLL-OVER BAR MOUNT. RH	1	9197204
-	GASKET. ROLL-OVER BAR MOUNT. LH	1	9197203
7	COVER. ROLL-OVER BAR	1	9197207
8	PANEL. HEADER. REAR (PRIMER)	1	9197208



BODY EXTERIOR FITTINGS

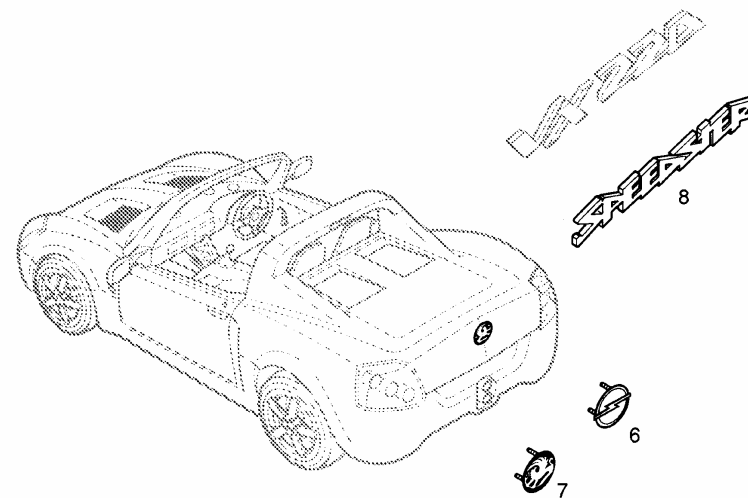
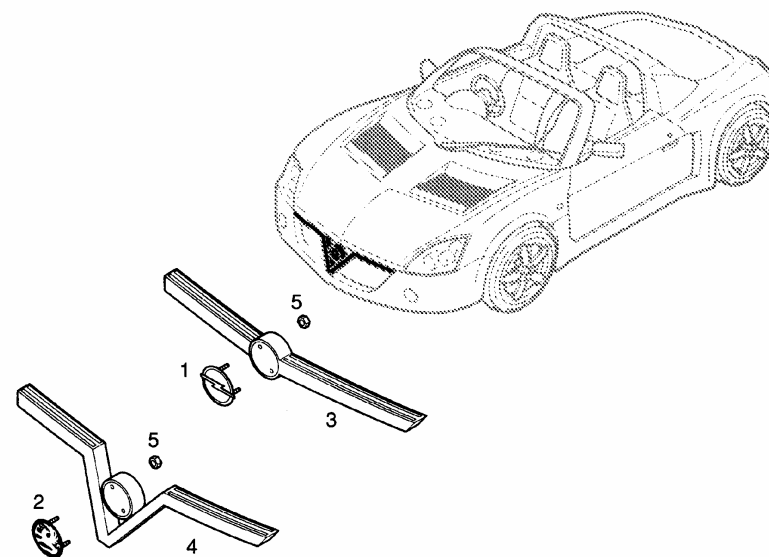


B1 Ref	Part Description	Qty	Part No
STONE PROTECTION			
1	STONE PROTECTOR. SIDE PANEL. RH (FOIL)	1	9197266
1	STONE PROTECTOR. SIDE PANEL. LH (FOIL)	1	9197267
2	STONE PROTECTOR. REAR CLAMSHELL. RH SIDE (FOIL)	1	9197264
2	STONE PROTECTOR. REAR CLAMSHELL. LH SIDE (FOIL)	1	9197262



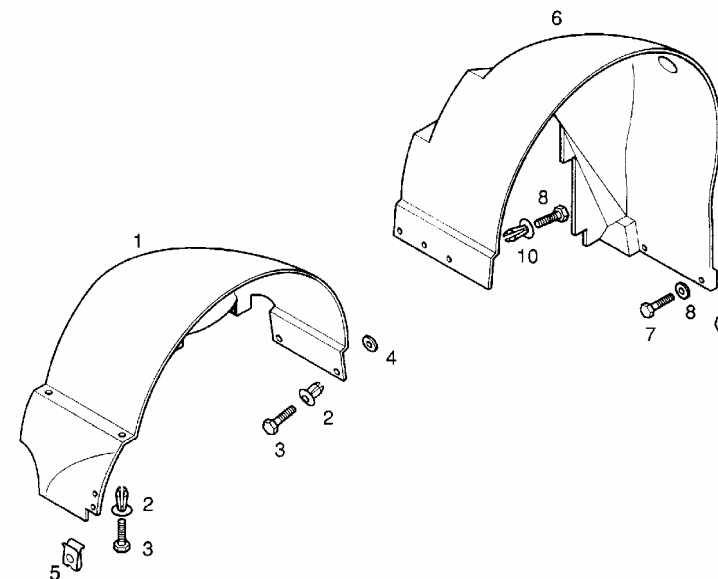
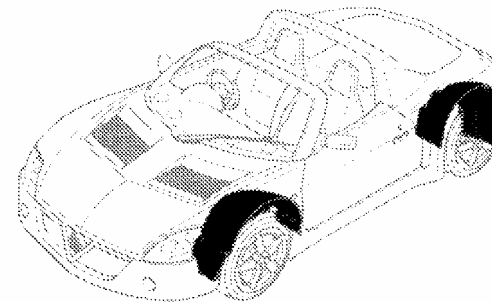
B1

B2 Ref	Part Description	Qty	Part No
NAMEPLATES AND DECALS			
1	EMBLEM. RADIATOR GRILLE. OPEL	1	90459944
2	EMBLEM. RADIATOR GRILLE. VAUXHALL	1	9119101
3	RAIL. MOUNTING. EMBLEM. FRONT. OPEL	1	9197323
4	RAIL. MOUNTING. EMBLEM. FRONT. VAUXHALL	1	9197324
5	NUT. SPECIAL. 5MM. RADIATOR GRILLE EMBLEM FIXING	1	9197548
6	EMBLEM. REAR . OPEL	1	9197508
7	EMBLEM. REAR. VAUXHALL	1	9197509
8	NAMEPLATE. REAR END. SPEEDSTER	1	9197155
-	NAMEPLATE. REAR END. VX220	1	9197436
-	DECAL. RADIATOR GRILLE	1	9197567



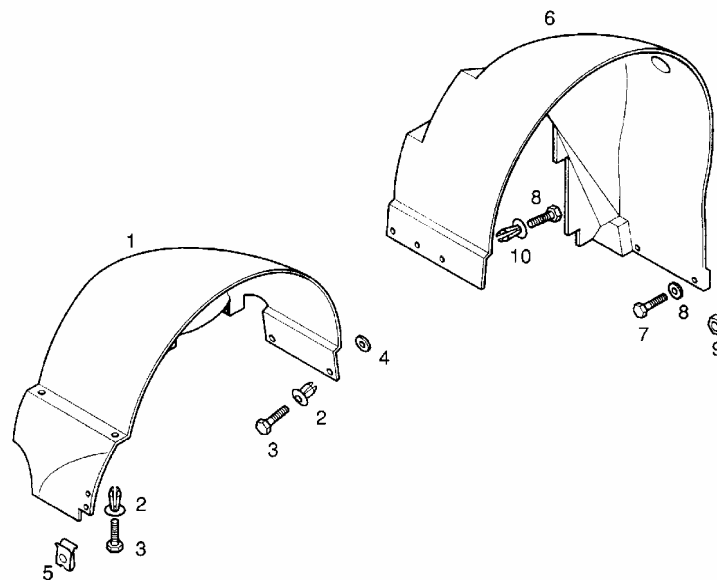
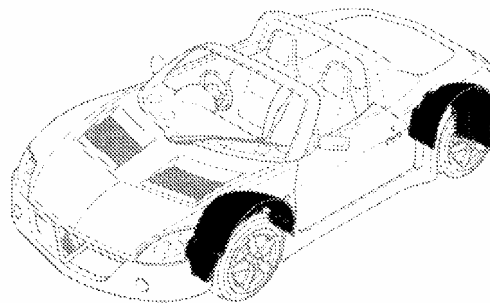
B2

B3 Ref	Part Description	Qty	Part No
WHEELHOUSE LINER			
1	PANEL. WHEELHOUSE LINER. FRONT. RH-LHD	1	9197274
1	PANEL. WHEELHOUSE LINER. FRONT. LH-LHD	1	9197279
1	PANEL. WHEELHOUSE LINER. FRONT. RH-RHD	1	9197280
1	PANEL. WHEELHOUSE LINER. FRONT. LH-RHD	1	9197275
2	RIVET. EXPANDING. FRONT WHEELHOUSE LINER TO BODY	6	9197260
3	SCREW. RD.HD.. M5 X 16. FRONT WHEELHOUSE LINER TO BODY	4	9197708
4	WASHER. 3/4 X 3/16. FRONT WHEELHOUSE LINER TO BODY	4	9198016
5	CLIP. NUT. M5. FRONT WHEELHOUSE LINER TO BODY	4	9197269
-	WASHER. M5 X 19. FRONT WHEELHOUSE LINER TO BODY	4	9197724
-	SCREW. M5 X 16. FRONT WHEELHOUSE LINER TO BODY	4	9197396
-	NUT. M5. FRONT WHEELHOUSE LINER TO BODY	4	9197213
-	RIVET. FRONT WHEELHOUSE LINER TO BODY	4	9197483
-	RIVET. 6MM. WHEELHOUSE LINER BRACKET	2	9197493
-	GROMMET. FRONT WHEELHOUSE LINER	2	9197484
6	PANEL. WHEELHOUSE LINER. REAR. LH	1	9197277
6	PANEL. WHEELHOUSE LINER. REAR. RH	1	9197276



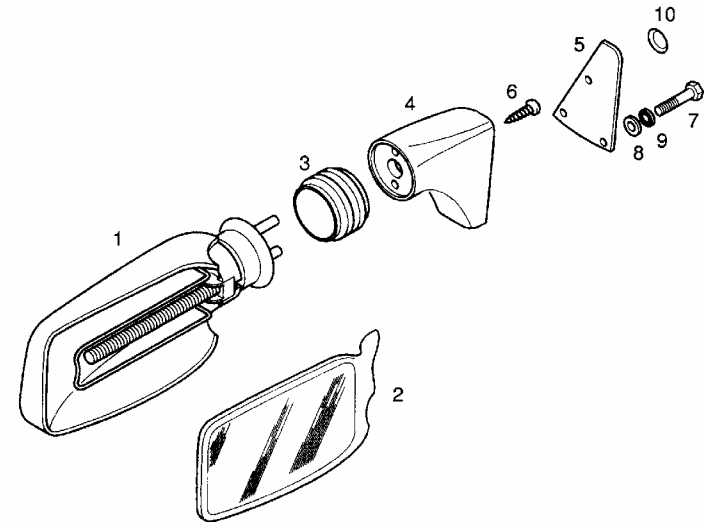
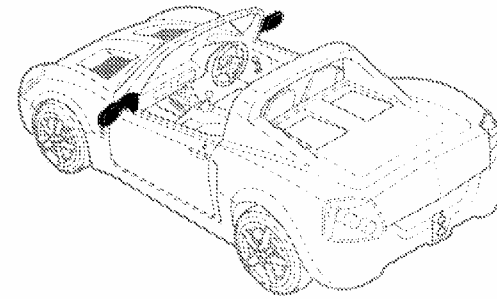
B3

7	SCREW, HEX.HD.. M6 X 16. REAR WHEELHOUSE LINER TO CLAMSHELL	4	9198126
8	WASHER, 6 X 15. REAR WHEELHOUSE LINER TO CLAMSHELL	4	9198128
9	NUT, HEX.. M6. REAR WHEELHOUSE LINER TO CLAMSHELL	4	9198220
10	RIVET, EXPANDING. REAR WHEELHOUSE LINER TO BODY	12	9197260



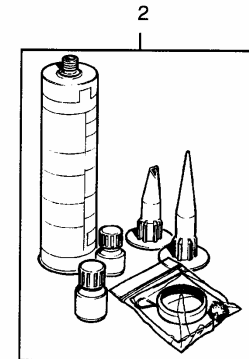
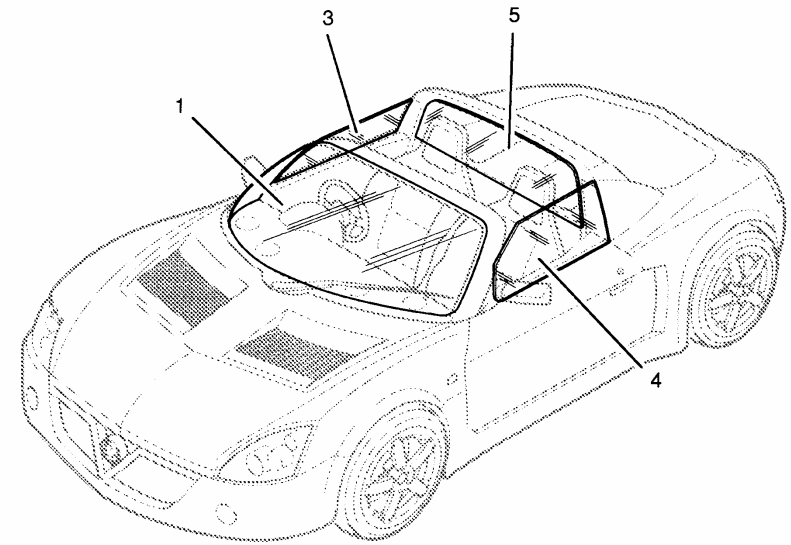
B3

B4 Ref	Part Description	Qty	Part No
REAR VIEW DOOR MIRROR			
1	MIRROR. ASSY.. DOOR	2	9197335
2	GLASS. MIRROR. CONVEX	2	9197334
3	BOOT	2	9197333
4	BASE. DOOR MIRROR. LH	1	9197336
4	BASE. DOOR MIRROR. RH	1	9197337
5	GASKET. BASE	2	9197338
6	SCREW. RD.HD.. BASE TO MIRROR	6	9197316
7	SCREW. RD.HD.. M5 X 16. BASE TO DOOR	6	9197348
8	WASHER. 5 X 10. BASE TO DOOR	2	9198055
9	WASHER. SHAKEPROOF. 5MM. BASE TO DOOR (NLS.)	6	(9197704)
10	COVER. DOOR MIRROR MOUNTING SCREW	4	9197639



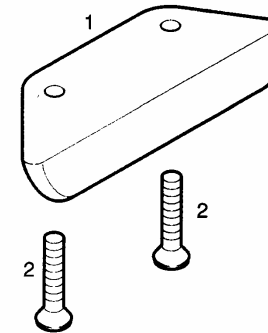
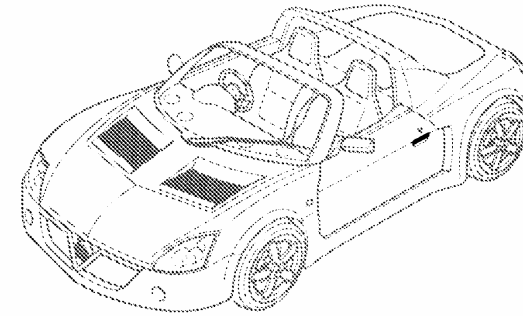
B4

B5 Ref	Part Description	Qty	Part No
WINDSCREEN			
1	WINDSCREEN. LAMINATED. WITH SEAL	1	9197029
2	SET. GLUE. WINDSCREEN	1	90541160
	DOOR GLASS		
3	GLASS. DOOR. RH	1	9197197
4	GLASS. DOOR. LH	1	9197196
	BACK WINDOW GLASS		
5	GLASS. BACK WINDOW	1	9197199



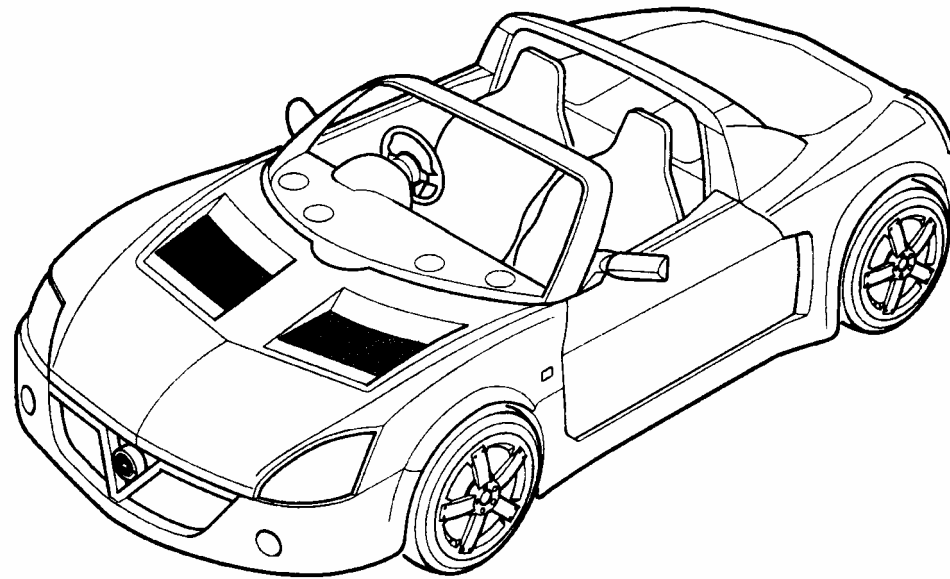
B5

B6 Ref	Part Description	Qty	Part No
DOOR OUTER HANDLE			
1	HANDLE. RH	1	9197124
1	HANDLE. LH	1	9197123
-	BRACKET. OUTER HANDLE. RH	1	9197120
-	BRACKET. OUTER HANDLE. LH	1	9197119
2	SCREW. CSK.. M4 X 16. DOOR OUTER HANDLE	4	9197393

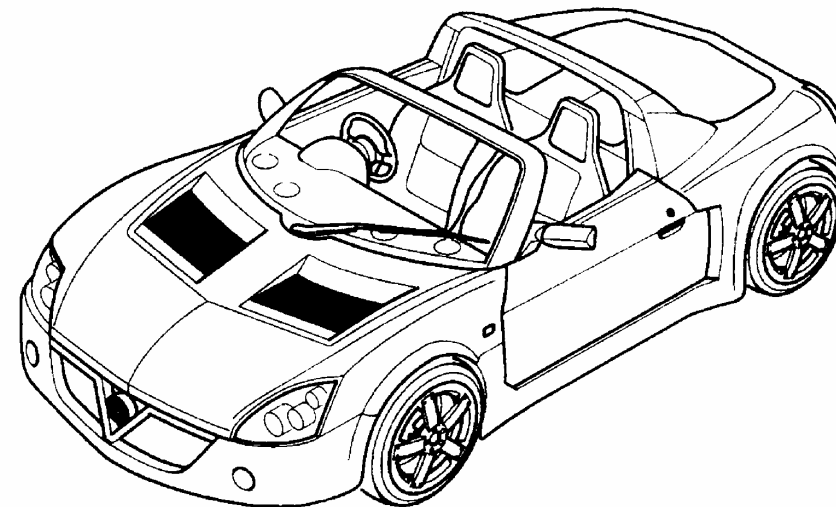


B6

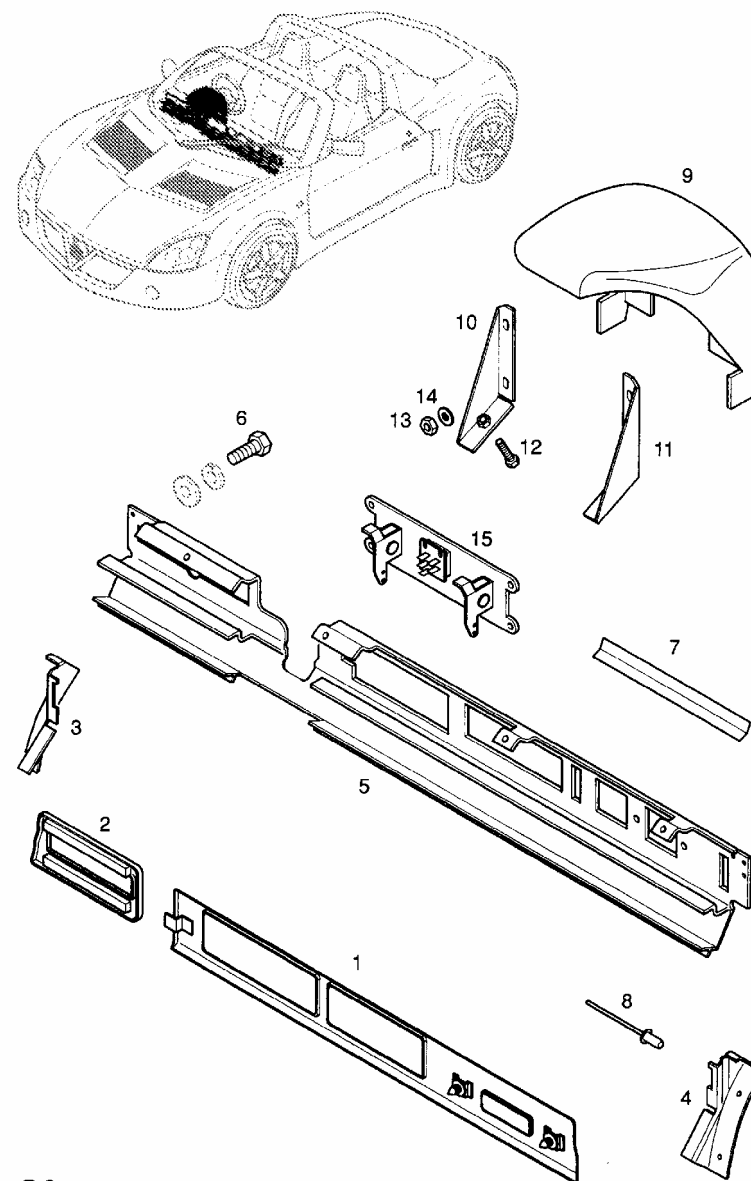
BODY INTERIOR FITTINGS



C1p Ref	1 Part Description	Qty	Part No
	DASH PANEL INSULATOR		
-	INSULATOR. DASH PANEL	1	9197273
	FRONT FLOOR INSULATOR		
-	INSULATOR. FRONT FLOOR. RH-LHD	1	9197475
-	INSULATOR. FRONT FLOOR. LH-LHD	1	9197476
-	INSULATOR. FRONT FLOOR. RH-RHD	1	9197473
-	INSULATOR. FRONT FLOOR. LH-RHD	1	9197474
	LOAD COMPARTMENT INSULATOR		
-	INSULATOR. LOAD COMPARTMENT FLOOR. INNER	1	9198014
	REAR FLOOR INSULATOR		
-	INSULATOR. REAR FLOOR. RH-LHD	1	9197097
-	INSULATOR. REAR FLOOR. LH-LHD	1	9197570
-	INSULATOR. REAR FLOOR. RH-RHD	1	9197096
-	INSULATOR. REAR FLOOR. LH-RHD	1	9197571
	DASH PANEL WATER DEFLECTOR		
-	DEFLECTOR. WATER. DASH PANEL	1	9197025



C2 Ref	Part Description	Qty	Part No
INSTRUMENT PANEL COVER			
-	PANEL. COVER. INSTRUMENT. UPPER. LHD	1	9197988
-	PANEL. COVER. INSTRUMENT. UPPER. RHD	1	9197836
1	PANEL. COVER. INSTRUMENT. RH-LHD	1	9197458
2	PANEL. COVER. INSTRUMENT. LH-LHD	1	9197451
1	PANEL. COVER. INSTRUMENT. RH-RHD	1	9197452
2	PANEL. COVER. INSTRUMENT. LH-RHD	1	9197459
3	PANEL. COVER. INSTRUMENT. INNER. RH-LHD	1	9197460
4	PANEL. COVER. INSTRUMENT. INNER. LH-RHD	1	9197461
5	CROSSMEMBER. INSTRUMENT PANEL	1	9197439
6	SCREW. CSK... MIDDLE INSTRUMENT PANEL TO UPPER INSTRUMENT PANEL	6	9197429
-	PLATE. BAFFLE. INSTRUMENT PANEL	1	9197030
7	LABEL. 'E'MARK	1	9197734
8	RIVET. BLIND. 3/16 X 7/16. SIDE PLATE TO CHASSIS	2	9197745
-	COVER. INSTRUMENT PANEL. SIDE. RH	1	9197653
-	COVER. INSTRUMENT PANEL. SIDE. LH	1	9197656
INSTRUMENT PANEL COWL			
9	COVER. INSTRUMENTS	1	9197469
10	BRACKET. MOUNTING. RH	1	9197467
11	BRACKET. MOUNTING. LH	1	9197466



C2

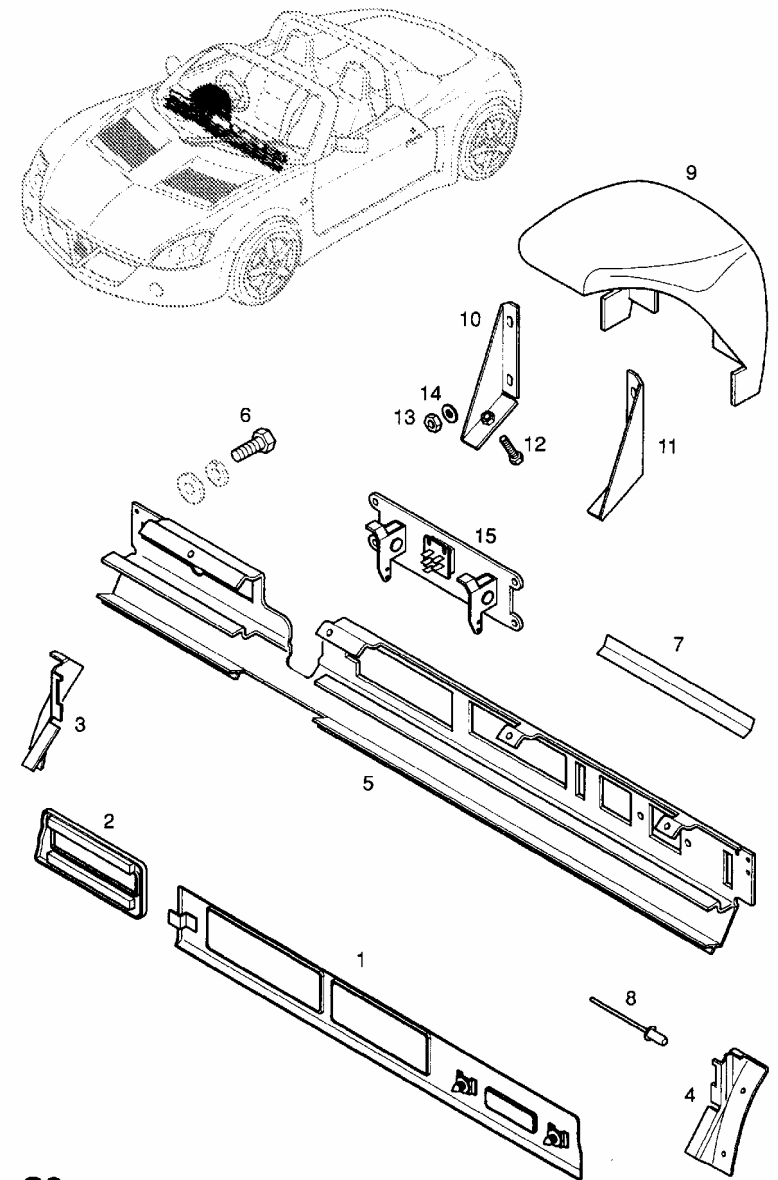
12	SCREW. HEX.HD.. M6 X 16. BRACKET FIXING	2	9197464
13	NUT. HEX.. M4. MOUNTING BRACKET TO COVER	4	9197574
14	WASHER. M4. MOUNTING BRACKET TO COVER	4	9198020

INSTRUMENT PANEL PAD

-	PAD. INSTRUMENT PANEL. LHD	1	9197441
-	PAD. INSTRUMENT PANEL. RHD	1	9197440

SWITCH PANEL

15	PANEL. SWITCHES. INSTRUMENT PANEL SIDE	1	9197016
-	COVER. BLANKING. FOG LAMP SWITCH APERTURE	1	9198117



C2

C3p Ref	1 Part Description	Qty	Part No
AIR DUCTS			
-	DUCT. CONNECTING. AIR INLET. 89 X 400(PLENUM)	1	9197711
-	CLAMP. HOSE. 80-100. FLEXIBLE PLENUM DUCT	2	9197723
-	ADAPTER. PLENUM DUCT	4	9197719
-	ADAPTER. PLENUM PIPE	1	9197714
-	NOZZLE. WINDSCREEN DEFROSTER	4	9197720
-	SCREW. DEFROST NOZZLE TO INSTRUMENT PANEL	12	9197705
-	DUCT. AIR OUTLET. LHD	1	9197728
-	DUCT. AIR OUTLET. RHD	1	9197718

DISTRIBUTION HOUSING AND HEATER AND VENTILATION AIRFLOW

-	HOUSING. AIR DISTRIBUTION	1	9197450
-	HEATER. ASSY.. LHD	1	9197666
-	HEATER. ASSY.. LHD	1	9198074
-	HEATER. ASSY.. RHD	1	9197665
-	HEATER. ASSY.. RHD	1	9198087
-	FLAP. AIR DISTRIBUTION	1	9197689
-	PIVOT. AIR DISTRIBUTION FLAP	1	9197688
-	WASHER. M6. AIR DISTRIBUTION FLAP	2	9197687
-	COWL. AIR INTAKE. HEATER HOUSING	1	9197655
-	FLAP. AIR INLET	1	9197690
-	CHAMBER. PLENUM. LHD	1	9197727
-	CHAMBER. PLENUM. RHD	1	9197715

-	CHAMBER. PLENUM. LOWER	1	9197725
-	FLAP. ASSY.. PLENUM CHAMBER	1	9197693
-	WASHER. SPACER. M6. PLENUM CHAMBER FLAP	2	9197697
-	SCREW. RD.HD.. M5 X 16. PLENUM CHAMBER TO CHASSIS	2	9197708
-	WASHER. M5 X 19. PLENUM CHAMBER TO CHASSIS	2	9197724
-	WASHER. SHAKEPROOF. 5MM ID.. PLENUM CHAMBER TO CHASSIS	2	9197704
-	RIVET. BLIND. 3.2 X 11.5. PLENUM CHAMBER TO CHASSIS	9	9197709
-	GROMMET. PLENUM CHAMBER	2	9197707
-	SEAL. PLENUM CHAMBER	2	9197710
-	DEFLECTOR. ASSY.. AIR. LOWER	2	9197717

HEATER CONTROLS

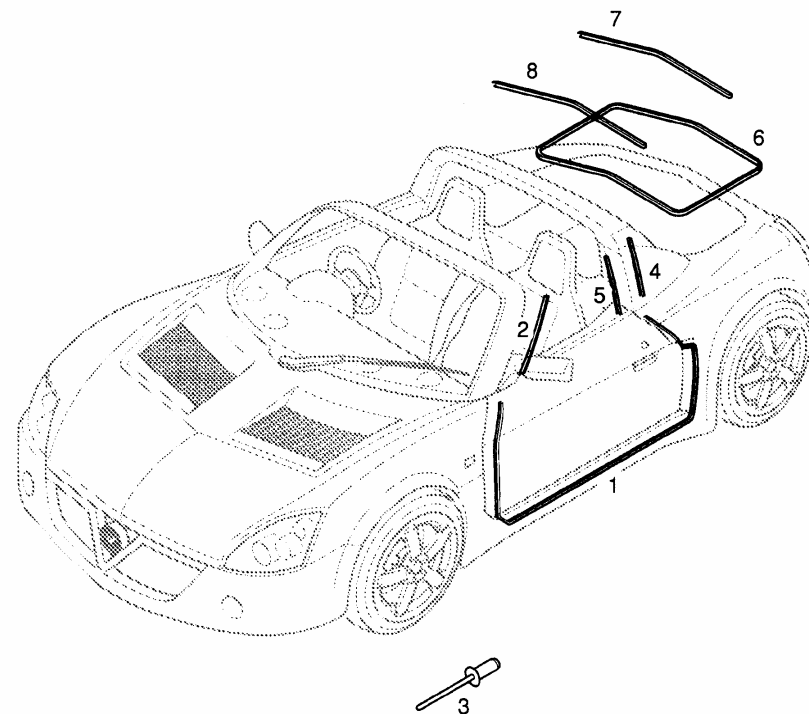
-	PANEL. HEATER CONTROL	1	9197455
-	KNOB. HEATER CONTROLS. 37MM	2	9197683
-	KNOB. HEATER CONTROLS. 24MM	1	9197684
-	LEVER. ASSY.. HEATER CONTROL	2	9197692
-	CABLE. AIR DISTRIBUTION FLAP. RHD	1	9197691
-	GROMMET. CONTROL CABLE	1	9197706
-	WASHER. 1/8 X 3/8. CONTROL CABLE BRACKET	4	9197703
-	BRACKET. ABUTMENT. CABLE	2	9197716
-	RIVET. BLIND. 3.2 X 8. BRACKET FIXING	8	9197722

HEATER HOSES AND FIXINGS

-	HOSE. HEATER FEED. LHD	1	9197828
-	HOSE. HEATER FEED. RHD	1	9197834
-	HOSE. HEATER FEED	1	9198159
-	HOSE. HEATER FEED. LHD	1	9197679
-	HOSE. HEATER FEED. RHD	1	9197673
-	HOSE. HEATER RETURN. LHD	1	9198070
-	HOSE. HEATER RETURN. RHD	1	9197835
-	HOSE. HEATER RETURN	1	9198161
-	HOSE. HEATER RETURN. RHD	1	9197672
-	HOSE. HEATER RETURN. LHD	1	9197680
-	PIPE. HEATER. FEED	1	9198160
-	PIPE. HEATER. RETURN	1	9198158
-	STRAP. RETAINING. HEATER HOSE	1	9198170
-	'P'CLIP. HEATER HOSE. FEED	7	9198165
-	CLAMP. HOSE. 20 - 32. HEATER PIPE TO ENGINE	4	9198155
-	RIVET. BLIND. PIPE CLIP TO RADIATOR HOUSING	2	9197668
-	RIVET. BLIND. HEATER PIPE TO CHASSIS	4	9197668
-	GROMMET. HEATER PIPE	1	90307895
-	GROMMET. HEATER PIPE	2	9197671
-	CLIP. WITH STRAP. HEATER PIPE TO CHASSIS	14	9197669
-	STRAP. RETAINING. HEATER PIPE	14	9198135
-	RIVET. BLIND. HEATER PIPE TO CHASSIS	6	9197675

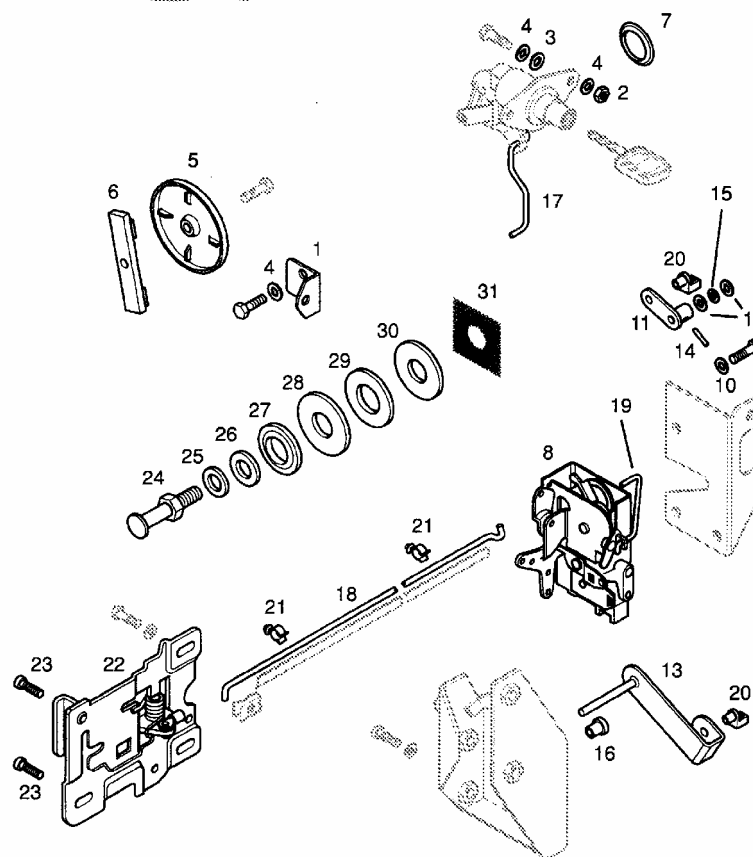
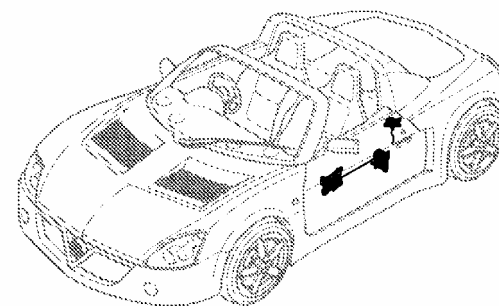
-	RIVET. BLIND. HEATER PIPE TO CHASSIS	4	9197676
-	CLAMP. HOSE. 16-25. HEATER HOSE	4	9198132
-	CLIP. SWIVEL. CLUTCH AND HEATER PIPES	2	9198203
-	CLIP. SWIVEL. CLUTCH AND HEATER PIPES	2	9198204

C6p Ref	1 Part Description	Qty	Part No
DOOR WEATHERSTRIP			
1	WEATHERSTRIP. DOOR. RH (NLS.)	1	(9197169)
1	WEATHERSTRIP. DOOR. LH (NLS.)	1	(9197172)
2	SEAL. DOOR FRAME. FRONT. RH	1	9197766
2	SEAL. DOOR FRAME. FRONT. LH	1	9197765
3	RIVET. DOOR FRAME SEAL. FRONT	2	9197170
DOOR WINDOW RECESS			
4	WEATHERSTRIP. DOOR WINDOW RECESS. INNER. RH	1	9197201
4	WEATHERSTRIP. DOOR WINDOW RECESS. INNER. LH	1	9197202
5	WEATHERSTRIP. DOOR WINDOW RECESS. OUTER. RH	1	9197760
5	WEATHERSTRIP. DOOR WINDOW RECESS. OUTER. LH	1	9197761
LOAD COMPARTMENT			
6	WEATHERSTRIP. LOAD COMPARTMENT	1	9197171
7	WEATHERSTRIP. LOAD COMPARTMENT. INNER. FRONT(795 MM)	1	9197517
8	WEATHERSTRIP. LOAD COMPARTMENT. INNER. REAR(1330 MM)	1	9197518



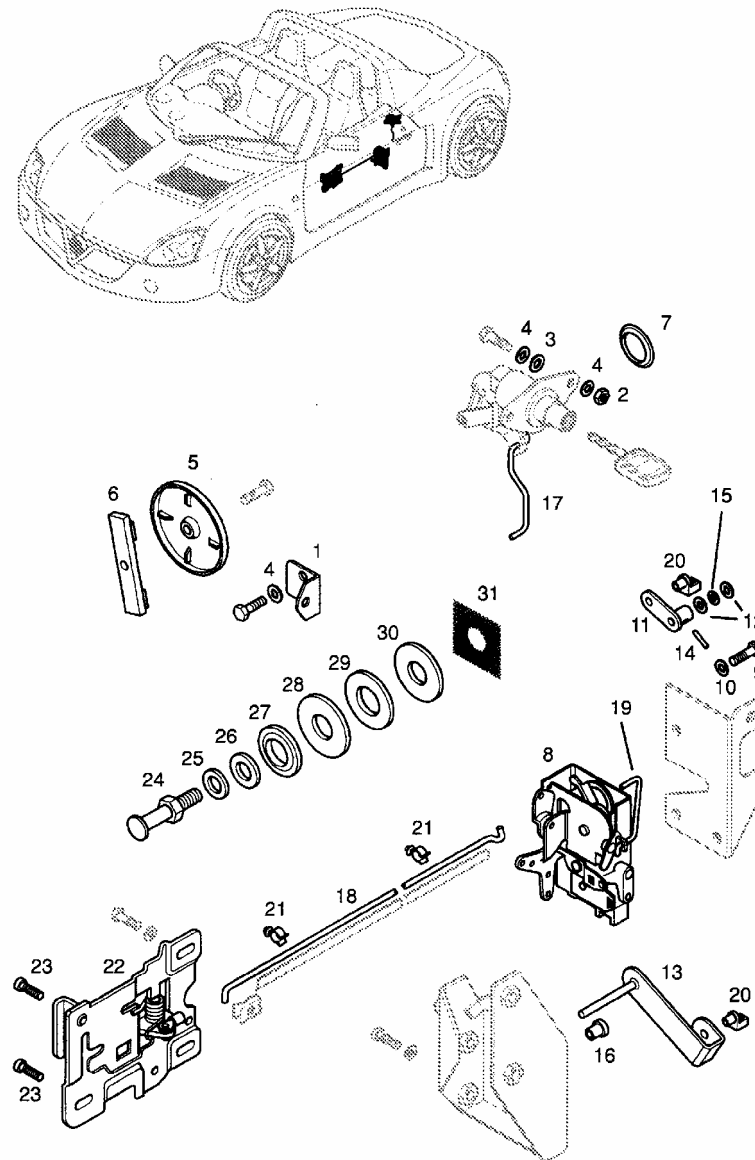
C6

C7p Ref	1 Part Description	Qty	Part No
	DOOR LOCKING MECHANISM		
-	BARREL AND KEY. ASSY. (LOCK-PUSH BUTTON) (UNSPECIFIED)	2	90271468
-	BARREL AND KEY. ASSY. (LOCK-PUSH BUTTON) (SPECIFIED) (EXCEPT VAUXHALL)	2	9198956
-	-KEY. BLANK. WITH TRANSPONDER. LESS COVER (PROFILE D SERIES)	1	90511974
-	-KEY. BLANK. LESS TRANSPONDER AND COVER (PROFILE D SERIES)	1	90540706
-	KEY. READY CUT. WITH TRANSPONDER. SPECIFIED LOCK. LESS COVER	1	90512012
-	-BULB. 1.5V/0.9W (FOR ILLUMINATED KEY)	1	90349349
-	-BATTERY. 1.5V (FOR ILLUMINATED KEY)	1	90349350
-	-COVER (EXC.ILLUMINATED KEY)	1	90511978
-	N-COVER (EXC.ILLUMINATED KEY) (FOR VAUXHALL)	1	90511979
-	COVER (FOR ILLUMINATED KEY)	1	90511980
-	KNOB (FOR ILLUMINATED KEY)	1	90511984
-	KNOB (FOR ILLUMINATED KEY) (FOR VAUXHALL)	1	90511985
-	-SPRING. THRUST(FOR ILLUMINATED KEY)	1	90511988
-	-PLATE. CONTACT(FOR ILLUMINATED KEY)	1	90511990
1	BRACKET. LOCK BARREL. RH	1	9197230
1	BRACKET. LOCK BARREL. LH	1	9197229



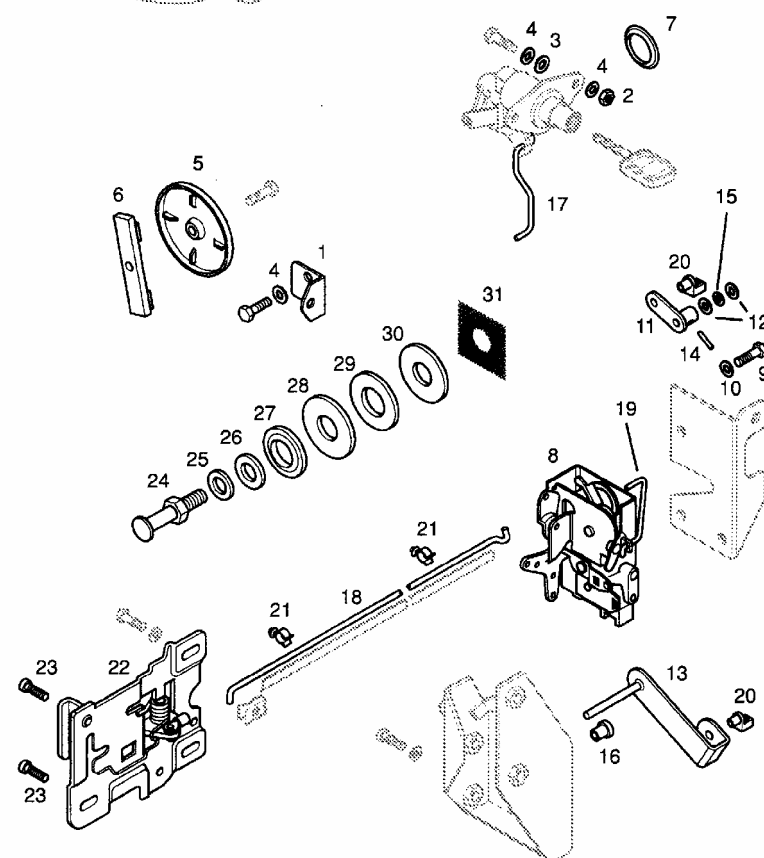
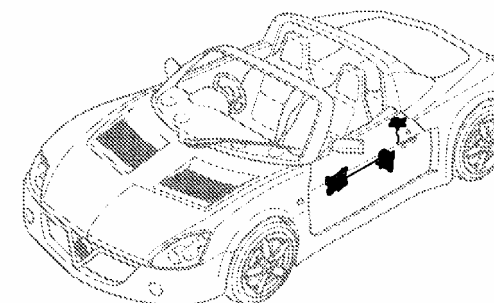
C7

2	NUT. HEX.. SELF LOCKING. M6. LOCK BARREL TO DOOR	4	9198220
3	WASHER. SPRING. M6. LOCK BARREL TO DOOR	2	9198009
4	WASHER. 6 X 12.1. LOCK BARREL AND BRACKET TO DOOR	8	9198223
5	PLATE. COVER. DOOR LOCK ACCESS HOLE	2	9197150
6	STRAP. RETAINING. COVER PLATE ACCESS HOLE	2	9197131
7	GROMMET. BLANKING LINKAGE ACCESS HOLE	2	9197128
8	LOCK. DOOR. RH	1	9197144
8	LOCK. DOOR. LH	1	9197145
9	SCREW. RD.HD.. M6 X 12. LOCK AND BRACKET TO DOOR	6	9197148
10	WASHER. SHAKEPROOF. 6MM. LOCK AND BRACKET TO DOOR	6	9198110
11	LEVER. RELEASE. DOOR LOCK	2	9197132
12	WASHER. 6 X 12.1. LOCK RELEASE LEVER TO SPINDLE	4	9198223
15	WASHER. SPRING. M6. RELEASE LEVER	2	9198009
14	PIN. SPIRAL. RELEASE LEVER	2	9197147
13	SPINDLE. LOCK RELEASE. RH	2	9197156
13	SPINDLE. LOCK RELEASE. LH	2	9197157
16	BEARING. SPINDLE	4	9197146
17	ROD. CONNECTING. LOCK BARREL TO SPINDLE	2	9197153
18	ROD. CONNECTING. INNER HANDLE RELEASE LEVER TO DOOR LOCK. LH	1	9197152
18	ROD. CONNECTING. INNER HANDLE RELEASE LEVER TO DOOR LOCK. RH	1	9197151



C7

19	ROD. CONNECTING. DOOR LOCK TO RELEASE LEAVER	2	9197205
20	CLAMP. CONNECTING ROD	6	90120387
21	CLIP. INNER HANDLE CONNECTING ROD	4	9197918
22	HANDLE. INNER. DOOR LOCK REMOTE CONTROL. RH	1	9197142
22	HANDLE. INNER. DOOR LOCK REMOTE CONTROL. LH	1	9197143
23	SCREW. HANDEL TO DOOR. INNER	6	9197597
	STRIKER DOOR LOCKING MECHANISM		
24	STRIKER. DOOR LOCK	2	9197141
25	WASHER. SPACER. M12 X 24. STRIKER TO LOCK PILLAR	2	9197682
26	WASHER. STRIKER	2	9197134
27	ESCUTCHEON. STRIKER	2	9197135
28	COLLAR. STRIKER	2	9197136
29	SHIM. 3MM. STRIKER	2	9197139
30	SHIM. 2MM. STRIKER	AR	9197140
31	SHIM. EXPANDED STAINLESS. 1MM. STRIKER	2	9197138



C7

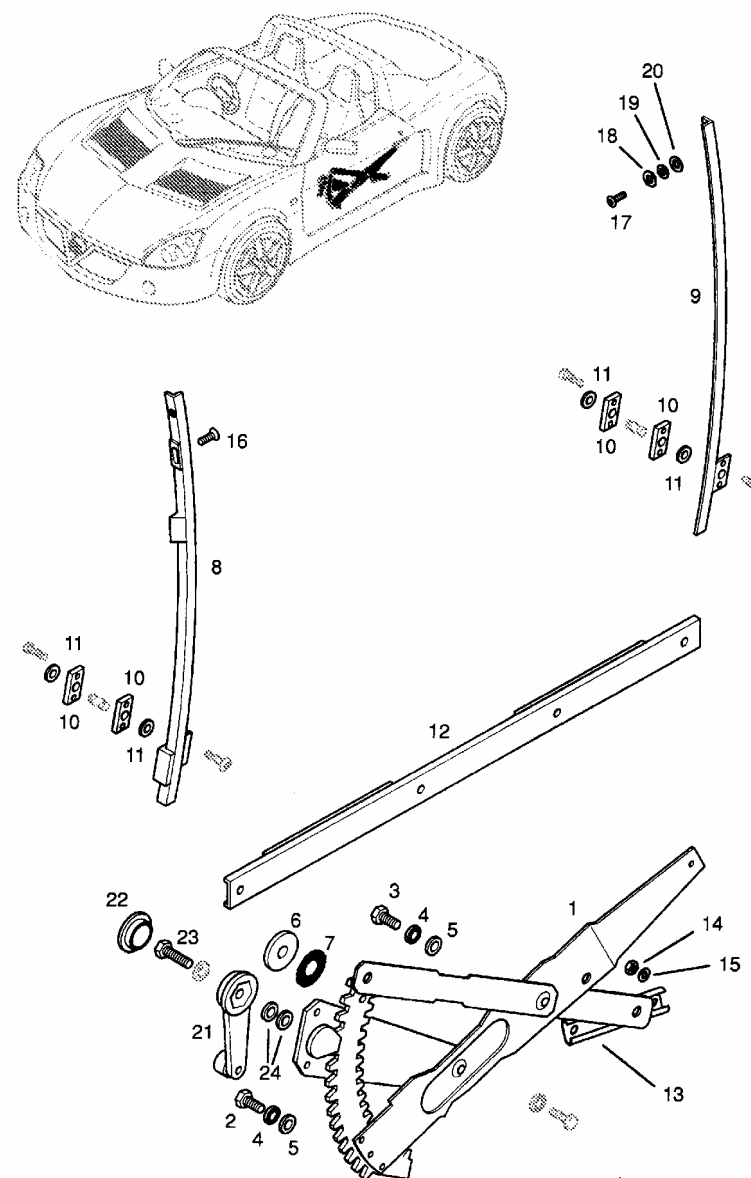
C8p Ref	1 Part Description	Qty	Part No
---------	--------------------	-----	---------

WINDOW REGULATOR DOOR

1	REGULATOR. MANUAL. DOOR WINDOW. RH	1	9197186
1	REGULATOR. MANUAL. DOOR WINDOW. LH	1	9197187
2	SCREW. HEX.HD.. M6 X 12. WINDOW REGULATOR TO DOOR	4	9197528
3	SCREW. HEX.HD.. M6 X 16. WINDOW REGULATOR TO DOOR	2	9198126
4	WASHER. SPRING. M6. WINDOW REGULATOR TO DOOR	6	9198009
5	WASHER. 6 X 12. WINDOW REGULATOR TO DOOR	6	9198223
6	STOP. REGULATOR	2	9197228
7	SHIM. EXPANDED STAINLESS. REGULATOR STOP	2	9197216
12	RAIL. UPSTOP	2	9197198

WINDOW GUIDE RAIL DOOR

8	RAIL. GUIDE. DOOR WINDOW. FRONT. RH	1	9197217
8	RAIL. GUIDE. DOOR WINDOW. FRONT. LH	1	9197218
9	RAIL. GUIDE. DOOR WINDOW. REAR. RH	1	9197219
9	RAIL. GUIDE. DOOR WINDOW. REAR. LH	1	9197220
-	STOP. ADJUSTABLE. GLASS	4	9198149
-	WASHER. 6 X 15. STOPPER	4	9198128
-	SCREW. CSK.. ADJUSTABLE STOPPER TO GLASS CHANNEL	4	9197420
10	ADJUSTER. ASSY.. GLASS	4	9197191



C8

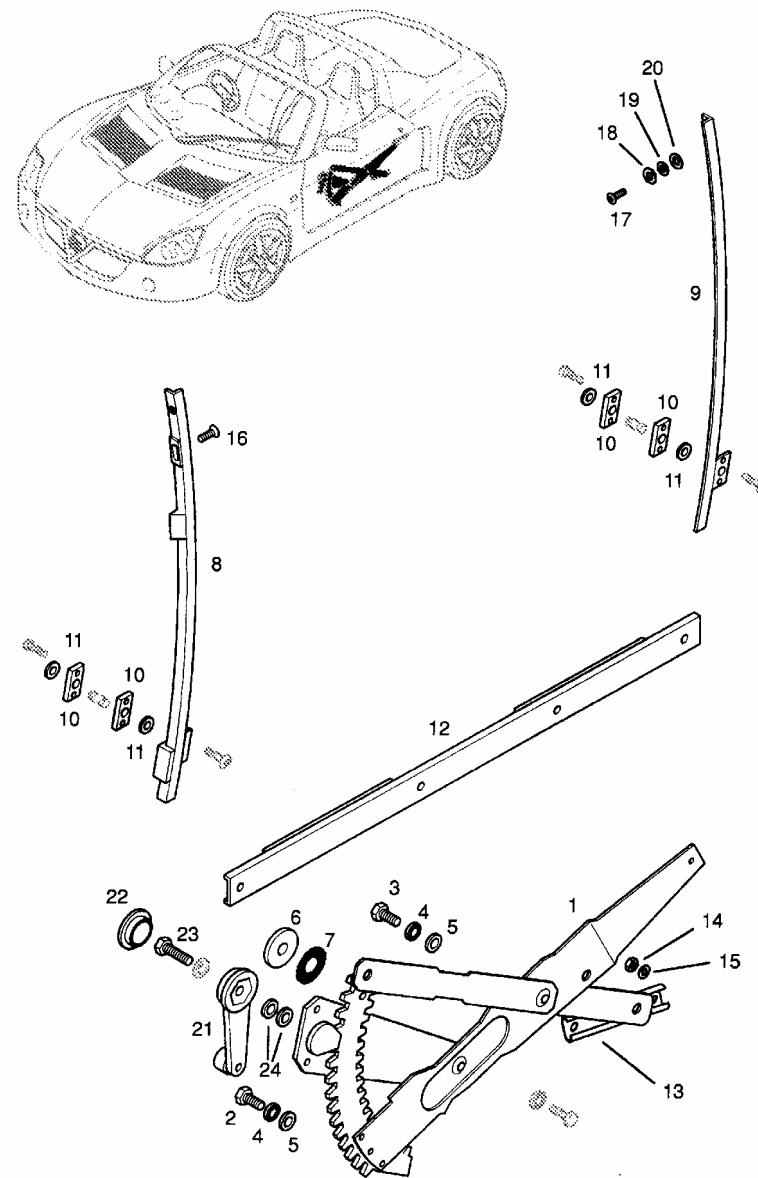
11	'O'RING. ADJUSTER(NLS.)	8	(9197193)
-	NUT. HEX.. SELF LOCKING. M6. GLASS TO GUIDE RAIL. UPPER	6	9198151
-	NUT. HEX.. SELF LOCKING. M5. GLASS TO GUIDE RAIL. UPPER	8	9197654
-	WASHER. 3/16 X 1/2. REGULATOR GUIDE RAIL. UPPER	10	9197743
13	RAIL. GUIDE. WINDOW REGULATOR. LOWER	2	9197226
14	NUT. HEX.. SELF LOCKING. M5. REGULATOR GUIDE RAIL. LOWER	4	9197654
15	WASHER. 3/16 X 1/2. REGULATOR GUIDE RAIL. LOWER	4	9197743

GLASS RUN CHANNEL DOOR

-	CHANNEL. SEALING. DOOR WINDOW. UPPER	2	9197221
16	SCREW. CSK. M5 X 12. GLASS RUN CHANNEL. FRONT. UPPER	2	9197214
17	SCREW. HEX.HD.. M8 X 45. GLASS RUN CHANNEL. REAR. UPPER	2	9198217
18	WASHER. SHAKEPROOF. M8. GLASS RUN CHANNEL. REAR. UPPER	2	9197388
19	WASHER. M8. GLASS RUN CHANNEL. REAR. UPPER	4	9197212
20	WASHER. 8 X 20. GLASS RUN CHANNEL. REAR. UPPER	2	9198228

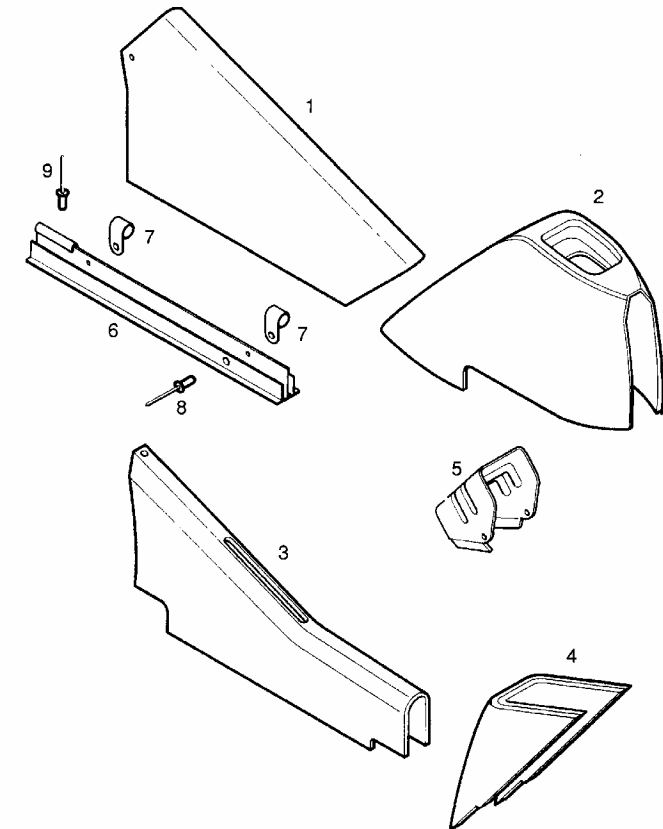
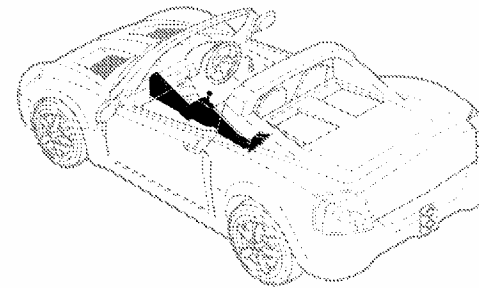
WINDOW REGULATOR HANDLE DOOR

21	HANDLE. REGULATOR	2	9197237
22	CAP. REGULATOR HANDLE	2	9197225
23	SCREW. WITH CLIP. REGULATOR HANDLE FIXING	2	9197224
24	WASHER. SPACER. 3/16 X 7/16. REGULATOR HANDLE FIXING	4	9197211

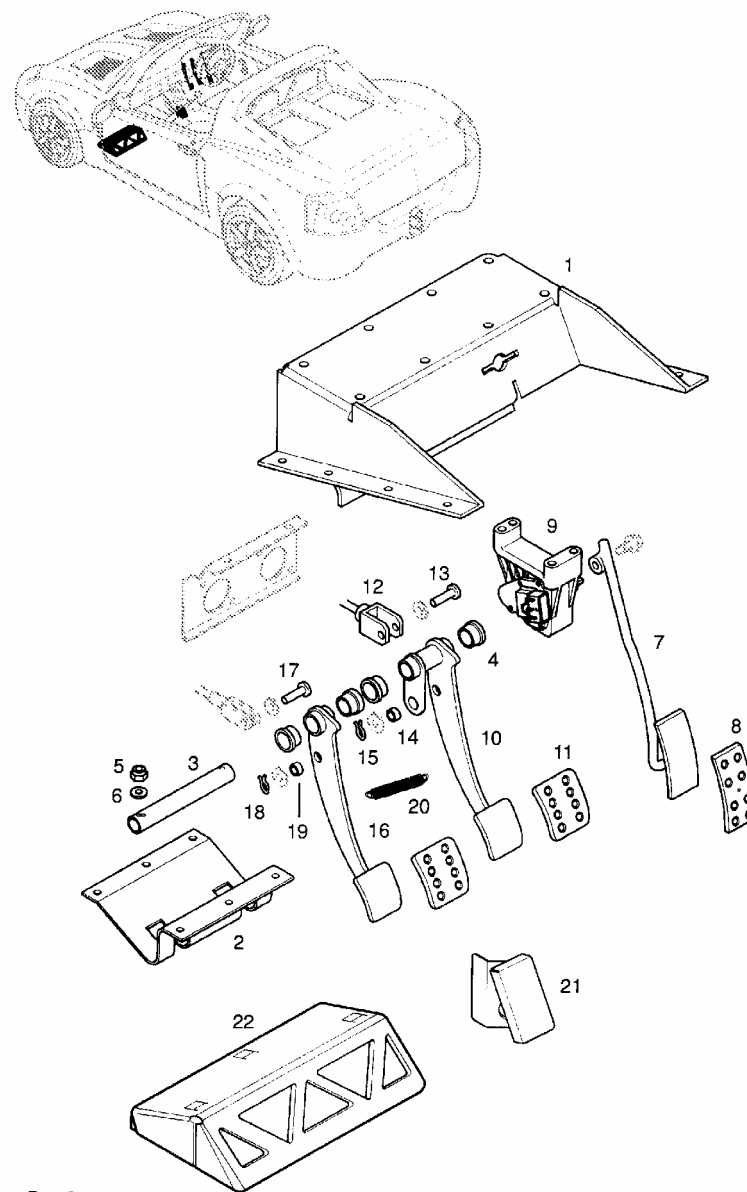


C8

C9 Ref	Part Description	Qty	Part No
FRONT TUNNEL CONSOLE			
1	COVER. CONSOLE. FRONT TUNNEL. RHD	1	9197495
1	COVER. CONSOLE. FRONT TUNNEL. LHD	1	9197498
2	CONSOLE. CENTRE. FRONT. LHD	1	9197500
2	CONSOLE. CENTRE. FRONT. RHD	1	9197499
3	CONSOLE. CENTRE. CENTRE	1	9197506
4	CONSOLE. CENTRE. REAR(INCLUDES CUP HOLDER)	1	9197507
5	PLATE. MOUNTING. FRONT TUNNEL. FRONT	1	9197496
6	RAIL. MOUNTING. FRONT TUNNEL	1	9197497
7	CLIP. MOUNTING RAIL	2	9197918
8	RIVET. 6MM. COVER TO TUNNEL (PLASTIC)	4	9197493
9	RIVET. BLIND. COVER TO TUNNEL	4	9197675



C10 Ref	p1 Part Description	Qty	Part No
PEDALS AND FIXINGS			
1	SUPPORT. PEDAL BOX	1	9197403
2	PLATE. RETAINING. PEDAL SHAFT	1	9197406
3	SHAFT. PEDAL MOUNTING	1	9197402
4	BEARING. FLANGED. 20MM. PEDAL MOUNTING	4	9197395
5	NUT. HEX.. SELF LOCKING. M6. PEDAL SHAFT	2	9198220
6	WASHER. 12.1 X 6. PEDAL SHAFT	2	9198223
7	PEDAL. ASSY.. ACCELERATOR (IDENT BK)	1	9193186
-	-ARM. ACCELERATOR PEDAL	1	9197389
8	PAD. ACCELERATOR PEDAL	1	9197390
9	HOUSING. THROTTLE	1	9197387
10	PEDAL. ASSY.. BRAKE	1	9197412
11	PAD. BRAKE PEDAL	1	90498309
12	YOKE. MAIN CYLINDER PUSH ROD	1	9197408
13	PIN. CLEVIS. PUSH ROD TO BRAKE PEDAL	1	9197397
14	BUSH. CLEVIS PIN TO BRAKE PEDAL	1	9197400
15	CLIP. CLEVIS PIN TO BRAKE PEDAL	1	9197399
-	BRACKET. RETURN SPRING. BRAKE PEDAL	1	9197816
-	SPRING. RETURN. BRAKE PEDAL	1	9197817
16	PEDAL. ASSY.. CLUTCH	1	9197413
17	PIN. CLEVIS. PUSH ROD TO CLUTCH PEDAL	2	9197409

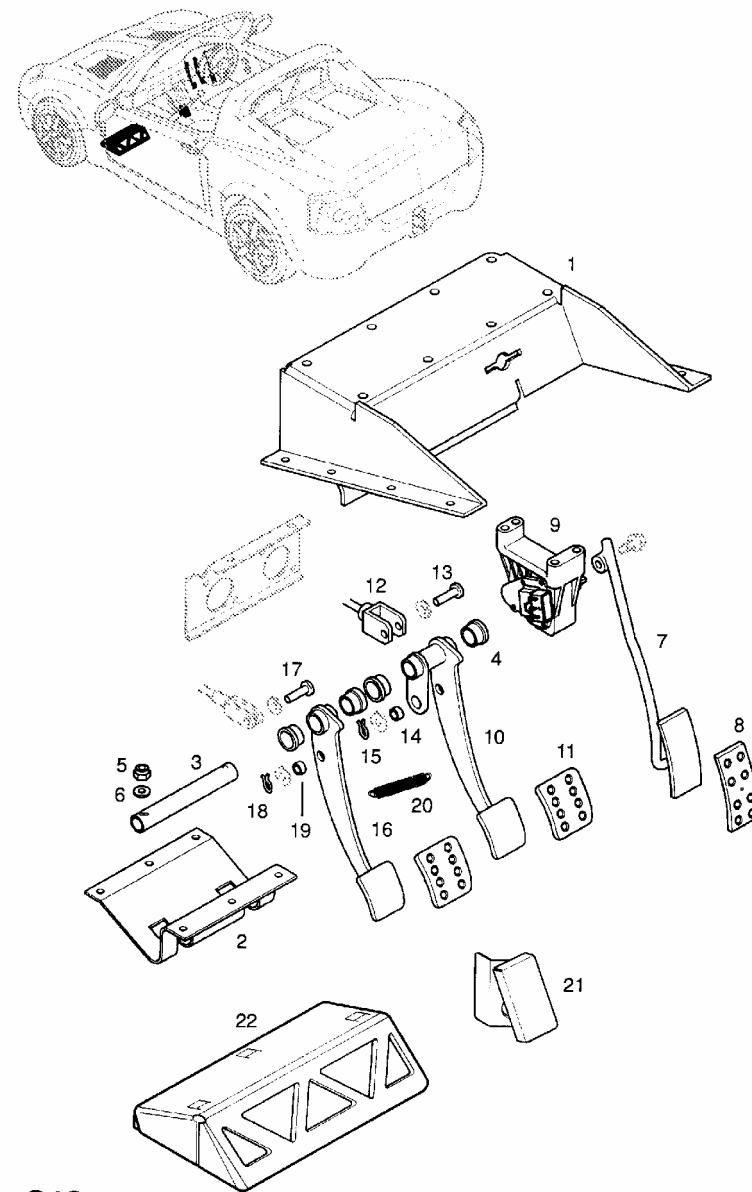


C10

18	CLIP. CLEVIS PIN TO CLUTCH PEDAL	2	9197410
19	BUSH. CLEVIS PIN TO PEDAL	1	9197415
20	SPRING. RETURN. ASSY.. CLUTCH PEDAL	1	9197411
-	BRACKET. RETURN SPRING	1	9198210

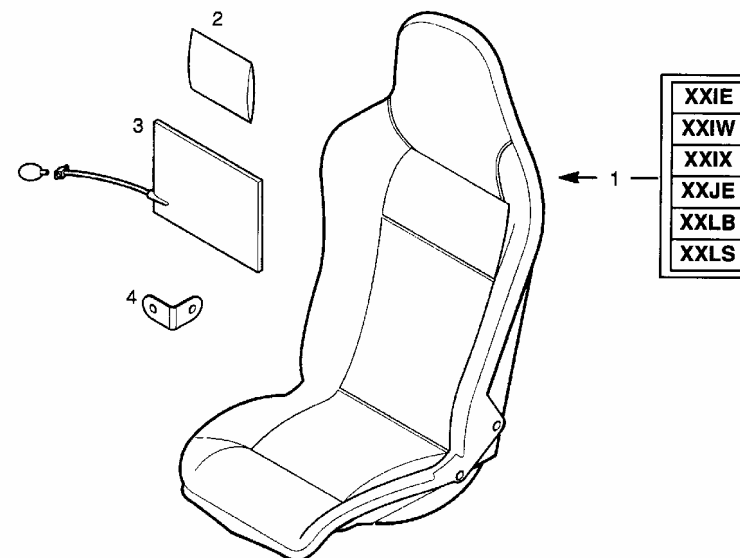
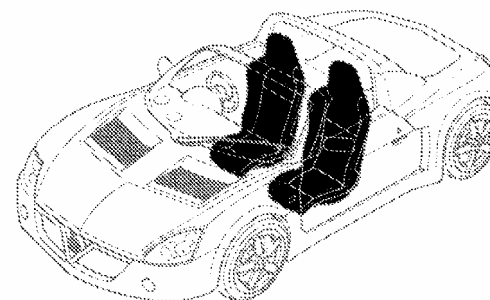
FOOT REST/FOOT

21	REST. FOOT. DRIVER. LHD	1	9197404
21	REST. FOOT. DRIVER. RHD	1	9197394
-	SCREW. M6 X 10. FOOT REST	3	9197657
-	NUT. M6. FOOT REST	3	9197658
22	REST. FOOT. PASSENGER. LHD	1	9197419
22	REST. FOOT. PASSENGER. RHD	1	9197401



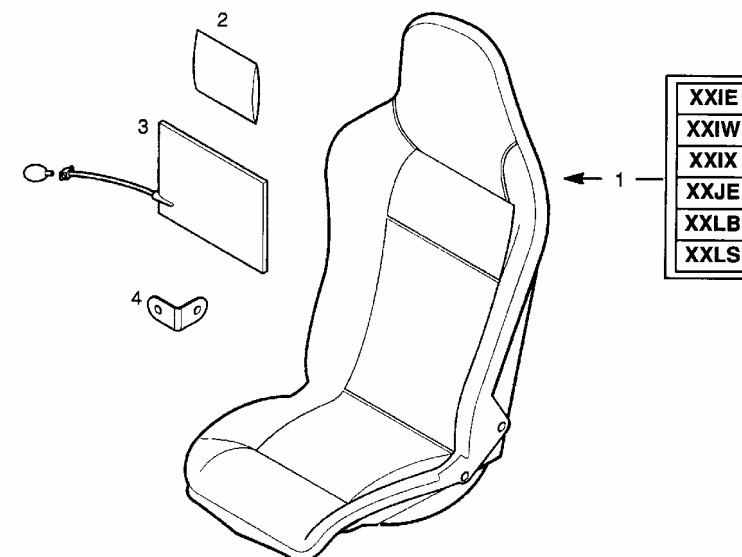
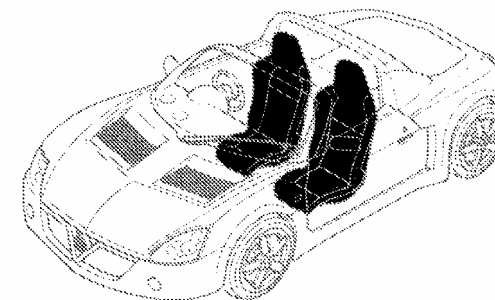
C10

C11 Ref	p1 Part Description	Qty	Part No
SEAT ASSEMBLY LHD			
1	SEAT. ASSY.. DRIVER SIDE. CLOTH (GM DRIVE TRIM CODE XXIW)	1	9197361
1	SEAT. ASSY.. PASSENGER SIDE. CLOTH(GM DRIVE TRIM CODE XXIW)	1	9197362
1	SEAT. ASSY.. DRIVER SIDE. LEATHER (BEIGE)(GM DRIVE TRIM CODE XXLB)	1	9197368
1	SEAT. ASSY.. PASSENGER SIDE. LEATHER (BEIGE) (GM DRIVE TRIM CODE XXLB)	1	9197380
1	SEAT. ASSY.. DRIVER SIDE. LEATHER (GREEN) (GM DRIVE TRIM CODE XXIX)	1	9197370
1	SEAT. ASSY.. PASSENGER SIDE. LEATHER (GREEN) (GM DRIVE TRIM CODE XXIX)	1	9197357
1	SEAT. ASSY.. DRIVER SIDE. LEATHER (RED)(GM DRIVE TRIM CODE XXIE)	1	9197371
1	SEAT. ASSY.. PASSENGER SIDE. LEATHER (RED) (GM DRIVE TRIM CODE XXIE)	1	9197358
1	SEAT. ASSY.. DRIVER SIDE. LEATHER (BLACK) (GM DRIVE TRIM CODE XXLS)	1	9197372
1	SEAT. ASSY.. PASSENGER SIDE. LEATHER (BLACK) (GM DRIVE TRIM CODE XXLS)	1	9197351
1	SEAT. ASSY.. DRIVER SIDE. LEATHER (BLUE) (GM DRIVE TRIM CODE XXJE)	1	9197369
1	SEAT. ASSY.. PASSENGER SIDE. LEATHER (BLUE) (GM DRIVE TRIM CODE XXJE)	1	9197356



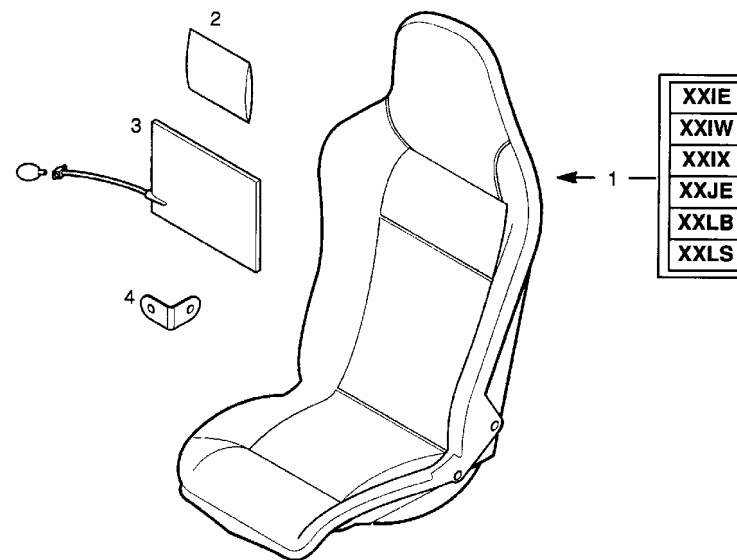
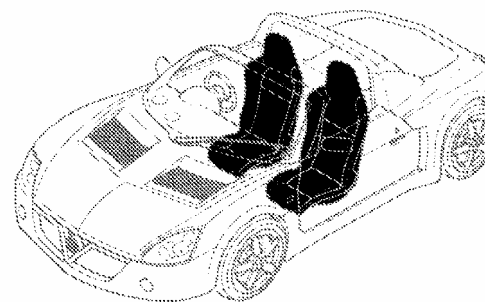
C11

2	SUPPORT. LUMBER. DRIVER SIDE	1	9197001
3	PUMP. ASSY.. LUMBAR SUPPORT. DRIVER SIDE	1	9197375
4	BRACKET. PUMP. LUMBAR SUPPORT. DRIVER SIDE	1	9197376
-	POCKET. FRONT SEAT BACK	1	9197178
	SEAT ASSEMBLY RHD SEATS		
1	SEAT. ASSY.. DRIVER SIDE. CLOTH (GM DRIVE TRIM CODE XXIW)	1	9197359
1	SEAT. ASSY.. PASSENGER SIDE. CLOTH (GM DRIVE TRIM CODE XXIW)	1	9197360
1	SEAT. ASSY.. DRIVER SIDE. LEATHER (BEIGE) (GM DRIVE TRIM CODE XXLB)	1	9197363
1	SEAT. ASSY.. PASSENGER SIDE. LEATHER (BEIGE) (GM DRIVE TRIM CODE XXLB)	1	9197373
1	SEAT. ASSY.. DRIVER SIDE. LEATHER (GREEN) (GM DRIVE TRIM CODE XXIX)	1	9197365
1	SEAT. ASSY.. PASSENGER SIDE. LEATHER (GREEN) (GM DRIVE TRIM CODE XXIX)	1	9197377
1	SEAT. ASSY.. DRIVER SIDE.	1	9197366
	SEAT ASSEMBLY RHD		
1	SEAT. ASSY.. DRIVER SIDE. CLOTH (GM DRIVE TRIM CODE XXIW)	1	9197359
1	SEAT. ASSY.. PASSENGER SIDE. CLOTH (GM DRIVE TRIM CODE XXIW)	1	9197360
1	SEAT. ASSY.. DRIVER SIDE. LEATHER (BEIGE)(GM DRIVE TRIM CODE XXLB)	1	9197363



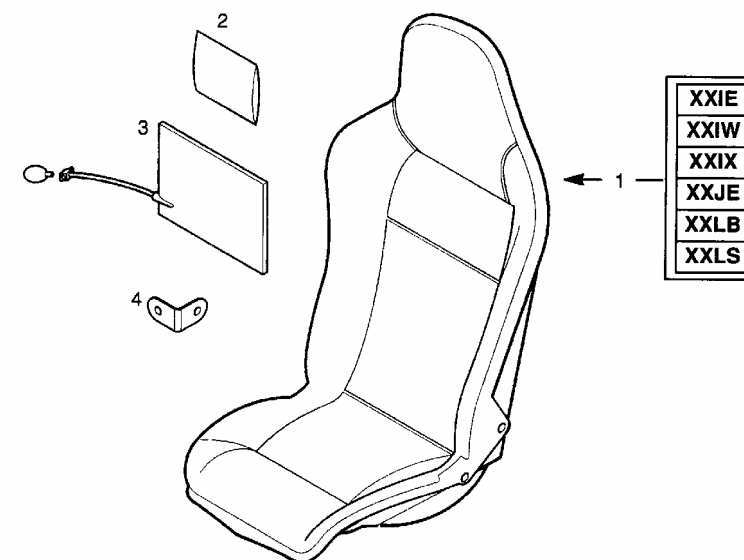
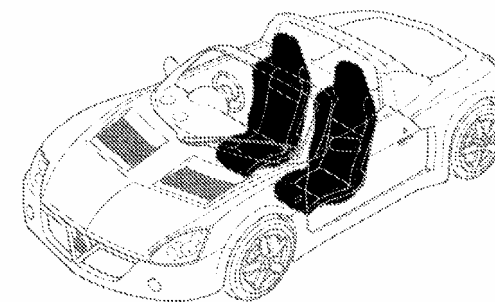
C11

1	SEAT. ASSY.. PASSENGER SIDE. LEATHER (BEIGE) (GM DRIVE TRIM CODE XXLB)	1	9197373
1	SEAT. ASSY.. DRIVER SIDE. LEATHER (GREEN) (GM DRIVE TRIM CODE XXIX)	1	9197365
1	SEAT. ASSY.. PASSENGER SIDE. LEATHER (GREEN) (GM DRIVE TRIM CODE XXIX)	1	9197377
1	SEAT. ASSY.. DRIVER SIDE. LEATHER (RED) (GM DRIVE TRIM CODE XXIE)	1	9197366
1	SEAT. ASSY.. PASSENGER SIDE. LEATHER(RED) (GM DRIVE TRIM CODE XXIE)	1	9197378
1	SEAT. ASSY.. DRIVER SIDE. LEATHER (BLACK) (GM DRIVE TRIM CODE XXLS)	1	9197367
1	SEAT. ASSY.. PASSENGER SIDE. LEATHER (BLACK) (GM DRIVE TRIM CODE XXLS)	1	9197379
1	SEAT. ASSY.. DRIVER SIDE. LEATHER (BLUE) (GM DRIVE TRIM CODE XXJE)	1	9197364
1	SEAT. ASSY.. PASSENGER SIDE. LEATHER (BLUE)(GM DRIVE TRIM CODE XXJE)	1	9197374
2	SUPPORT. LUMBER. DRIVER SIDE	1	9197001
3	PUMP. ASSY.. LUMBAR SUPPORT. DRIVER SIDE	1	9197375
4	BRACKET. PUMP. LUMBAR SUPPORT. DRIVER SIDE	1	9197376
-	POCKET. FRONT SEAT BACK	1	9197178
SEAT ASSEMBLY LHD			
1	SEAT. ASSY.. DRIVER SIDE. CLOTH (GM DRIVE TRIM CODE XXIW)	1	9197361



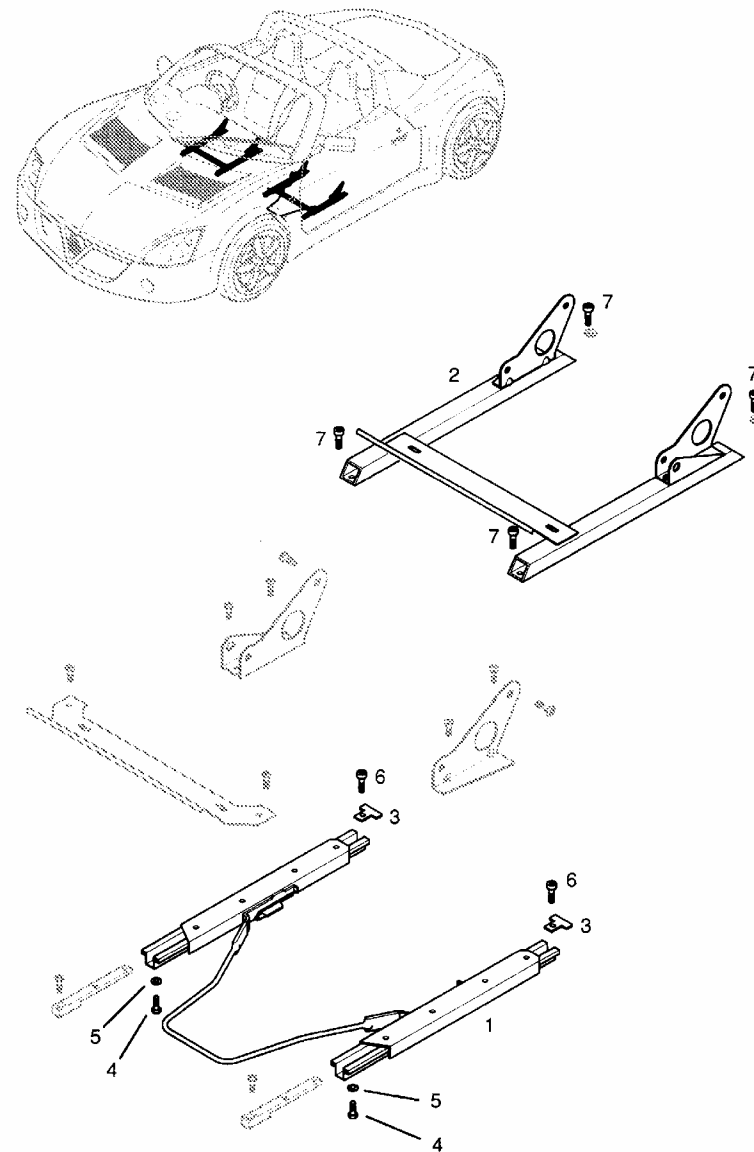
C11

1	SEAT. ASSY.. PASSENGER SIDE. CLOTH (GM DRIVE TRIM CODE XXIW)	1	9197362
1	SEAT. ASSY.. DRIVER SIDE. LEATHER (BEIGE)(GM DRIVE TRIM CODE XXLB)	1	9197368
1	SEAT. ASSY.. PASSENGER SIDE. LEATHER (BEIGE) (GM DRIVE TRIM CODE XXLB)	1	9197380
1	SEAT. ASSY.. DRIVER SIDE. LEATHER (GREEN) (GM DRIVE TRIM CODE XXIX)	1	9197370
1	SEAT. ASSY.. PASSENGER SIDE. LEATHER (GREEN) (GM DRIVE TRIM CODE XXIX)	1	9197357
1	SEAT. ASSY.. DRIVER SIDE. LEATHER (RED) (GM DRIVE TRIM CODE XXIE)	1	9197371
1	SEAT. ASSY.. PASSENGER SIDE. LEATHER (RED) (GM DRIVE TRIM CODE XXIE)	1	9197358
1	SEAT. ASSY.. DRIVER SIDE. LEATHER (BLACK) (GM DRIVE TRIM CODE XXLS)	1	9197372
1	SEAT. ASSY.. PASSENGER SIDE. LEATHER (BLACK) (GM DRIVE TRIM CODE XXLS)	1	9197351
1	SEAT. ASSY.. DRIVER SIDE. LEATHER (BLUE) (GM DRIVE TRIM CODE XXJE)	1	9197369
1	SEAT. ASSY.. PASSENGER SIDE. LEATHER (BLUE) (GM DRIVE TRIM CODE XXJE)	1	9197356
2	SUPPORT. LUMBER. DRIVER SIDE	1	9197001
3	PUMP. ASSY.. LUMBAR SUPPORT. DRIVER SIDE	1	9197375
4	BRACKET. PUMP. LUMBAR SUPPORT. DRIVER SIDE	1	9197376
-	POCKET. FRONT SEAT BACK	1	9197178



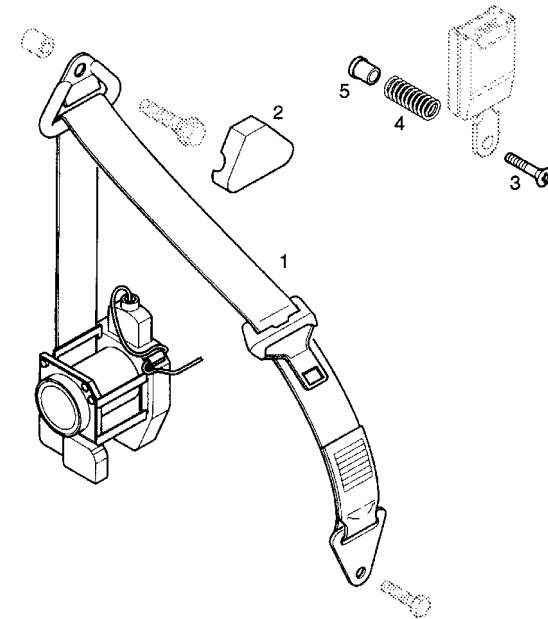
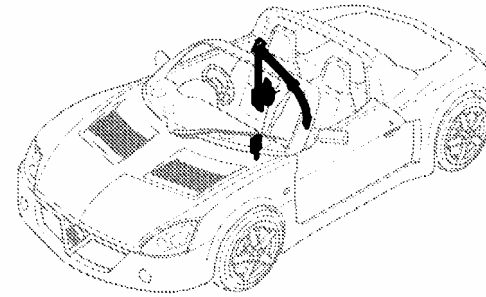
C11

C12 Ref	Part Description	Qty	Part No
SEAT MOUNTINGS			
1	FRAME. SEAT MOUNTING. DRIVER SIDE. LHD	1	9197355
1	FRAME. SEAT MOUNTING. DRIVER SIDE. RHD	1	9197354
2	FRAME. SEAT MOUNTING. PASSENGER SIDE. LHD	1	9197353
3	FRAME. SEAT MOUNTING. PASSENGER SIDE. RHD	1	9197352
3	STOPPER. SEAT ADJUSTER. DRIVER SIDE. REAR	2	9197349
4	SCREW. SOCKET HD.. M8 X 25. SEAT FIXING. DRIVER SIDE. FRONT	2	9197345
5	WASHER. SPRING. 8MM. SEAT FIXING. DRIVER SIDE. FRONT	2	9198227
6	SCREW. SOCKET HD.. M8 X 20. SEAT FIXING. DRIVER SIDE. REAR	2	9197347
7	SCREW. SOCKET HD.. M8 X 16. SEAT FRAME TO FLOOR. PASSENGER SIDE	4	9197346
-	LABEL. WARNING. CHILD SEAT	1	9198095



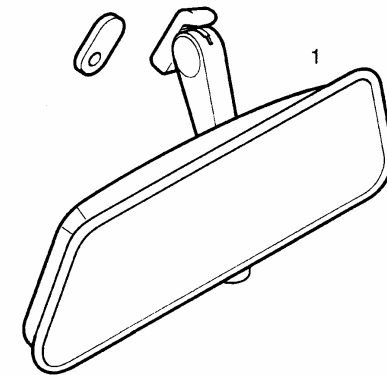
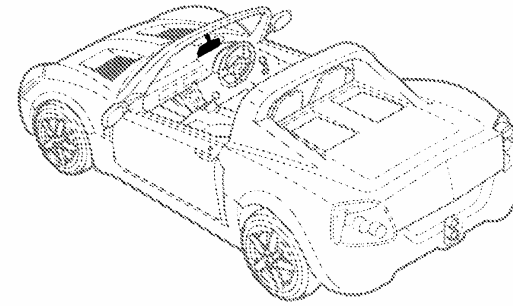
C12

C13 Ref	Part Description	Qty	Part No
SEAT BELTS			
1	BELT. ASSY.. SEAT. DRIVER	1	9197384
1	BELT. ASSY.. SEAT. PASSENGER	1	9197385
-	BUCKLE. ASSY.. SEAT. INNER	2	9198013
2	CAP. SCREW BLANKING. SEAT BELT. UPPER	2	9197381
3	SCREW. SOCKET HD.. 7/16 X 20. SEAT BELT BUCKLE	2	9197383
4	SPRING. SEAT BELT	2	9197382
5	SPACER. SEAT BELT BUCKLE	2	9197771



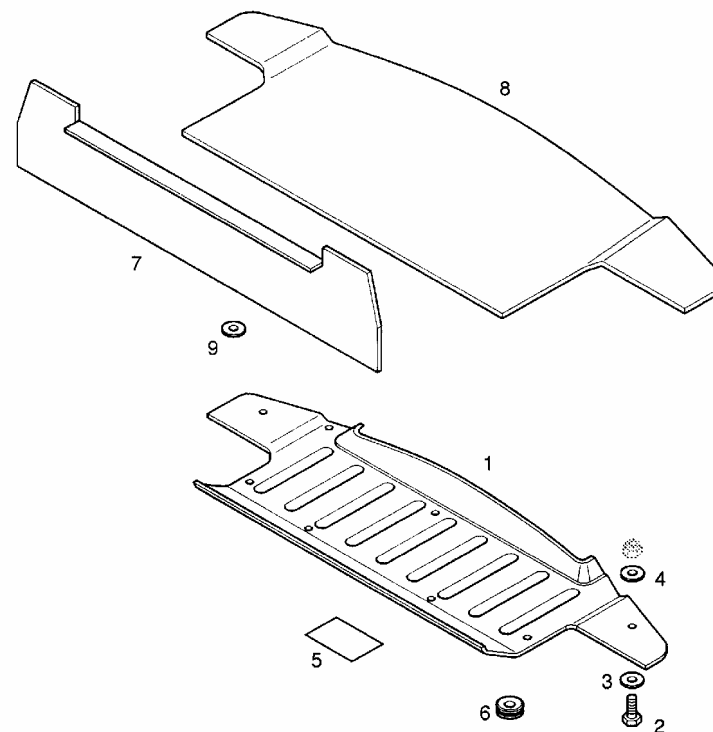
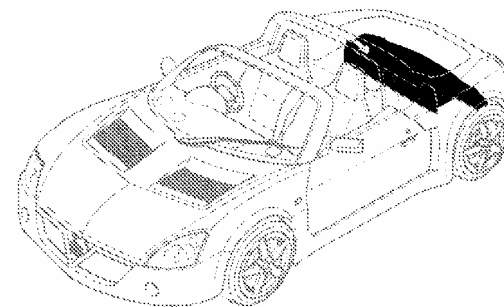
C13

C14 Ref	Part Description	Qty	Part No
REAR VIEW MIRROR INTERIOR			
1	MIRROR. ASSY.. REAR VIEW. INTERIOR	1	9197470
-	PLATE. MIRROR RETAINING	1	9197468



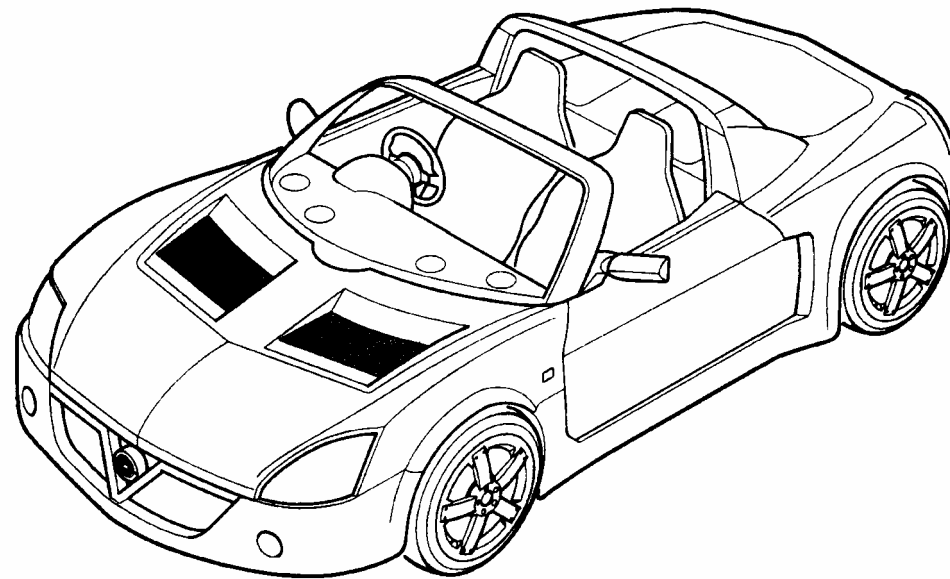
C14

C15 Ref	Part Description	Qty	Part No
LOAD COMPARTMENT			
1	PANEL. LOAD COMPARTMENT. INNER	1	9197541
2	SCREW. HEX.HD.. M6 X 20. LOAD COMPARTMENT TO CLAMSHELL	1	9198127
3	WASHER. M6 X 25. LOAD COMPARTMENT TO CLAMSHELL	4	9197268
4	SPACER. 3.8. LOAD COMPARTMENT TO LONGITUDINAL	2	9197769
5	LABEL. WARNING	1	9197735
6	GROMMET. FLOOR PANEL	2	9197516
7	SHIELD. HEAT. LOAD COMPARTMENT BOX	1	9198123
-	SHIELD. HEAT. LOAD COMPARTMENT BOX. FLOOR	1	9198269
8	SHIELD. HEAT. LOAD COMPARTMENT FLOOR	1	9198118
9	WASHER. 6 X 15. HEAT SHIELD TO LOAD COMPARTMENT FLOOR	10	9198128

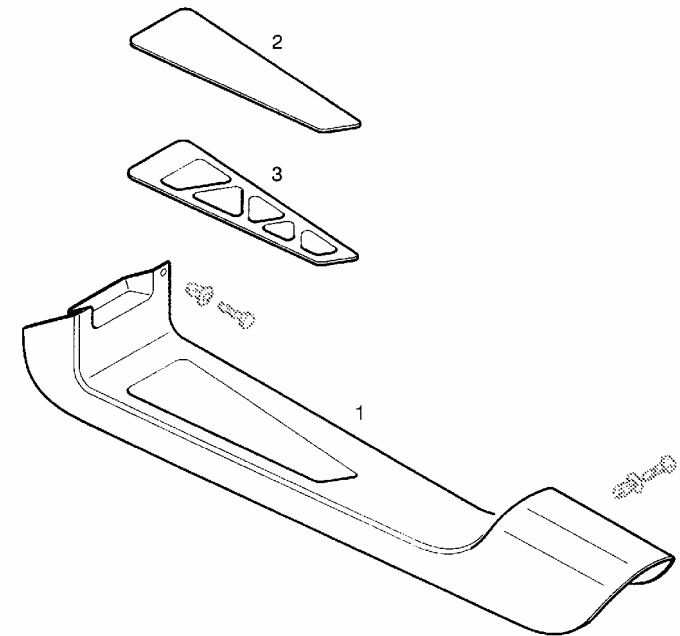
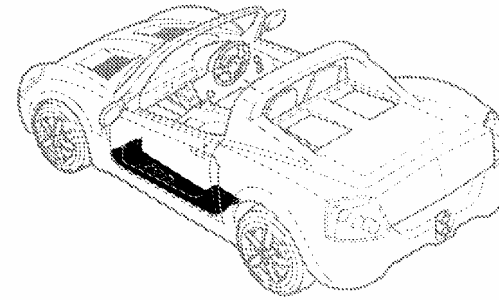


C15

BODY INTERIOR TRIM

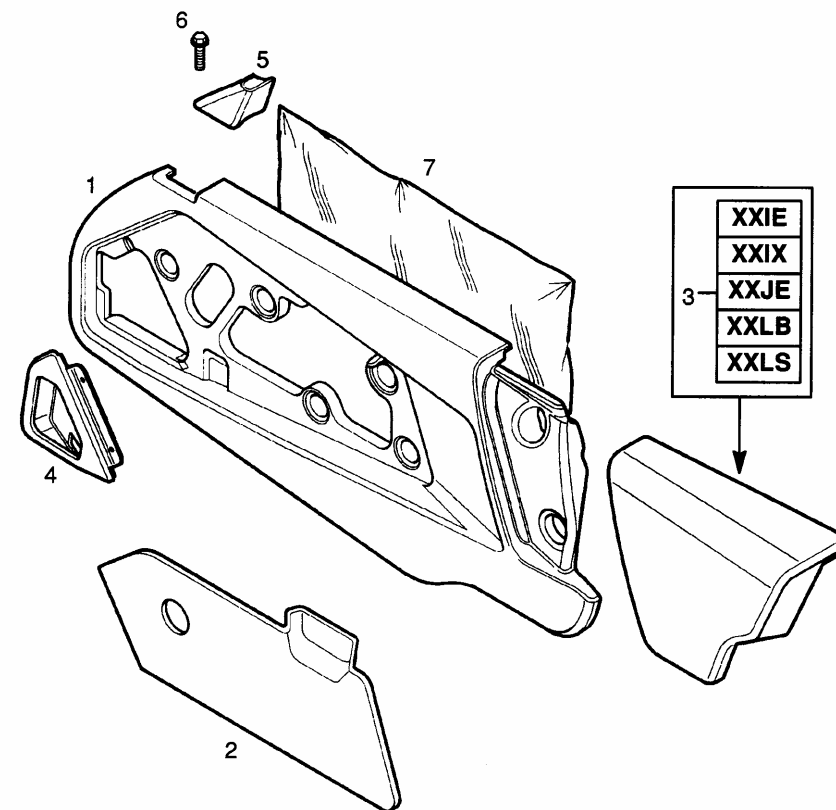


D1 Ref	Part Description	Qty	Part No
SILL PANEL MOULDING			
1	MOULDING. SILL PANEL. RH	1	9197024
1	MOULDING. SILL PANEL. LH	1	9197023
2	INSERT. RUBBER. RH(NLS.)	1	(9197238)
2	INSERT. RUBBER. LH(NLS.)	1	(9197239)
3	INSERT. ALUMINIUM. RH(NLS.)	1	(9197317)
3	INSERT. ALUMINIUM. LH(NLS.)	1	(9197318)
SCUTTLE PANEL			
-	PANEL. SCUTTLE. LOWER. LHD	1	9197751
-	PANEL. SCUTTLE. LOWER. RHD	1	9197752



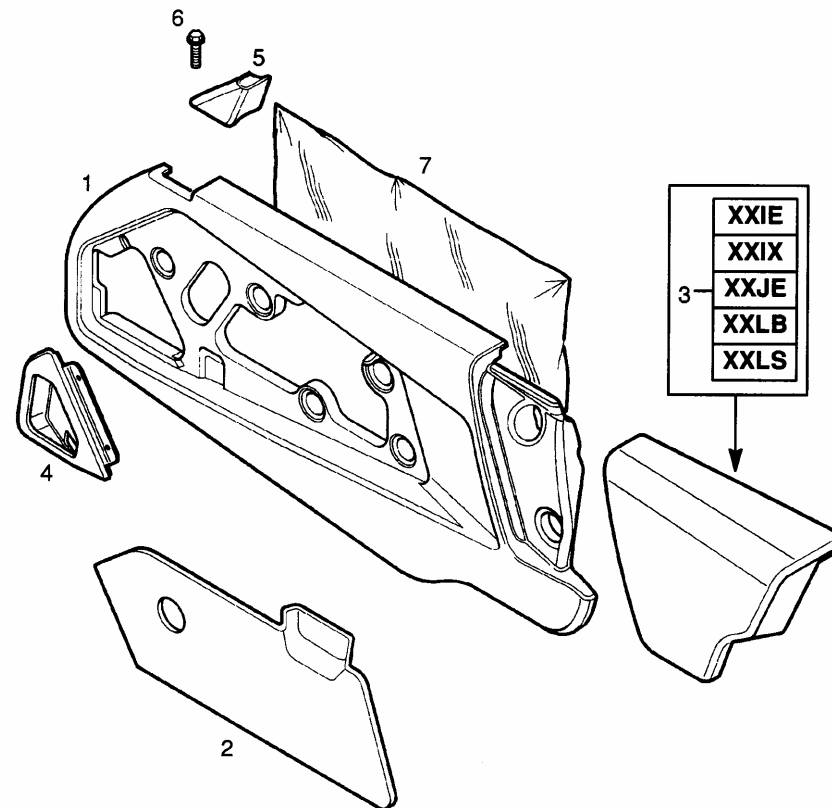
D1

D2 Ref	Part Description	Qty	Part No
DOOR TRIM			
1	TRIM. ASSY.. DOOR. RH	1	9197478
1	TRIM. ASSY.. DOOR. LH	1	9197479
2	INSERT. DOOR TRIM. RH	1	9197481
2	INSERT. DOOR TRIM. LH	1	9197482
3	PAD. DOOR TRIM. REAR. RH. LEATHER. RED (GM DRIVE TRIM CODE XXIE)	1	9197489
3	PAD. DOOR TRIM. REAR. LH. LEATHER. RED (GM DRIVE TRIM CODE XXIE)	1	9197488
3	PAD. DOOR TRIM. REAR. RH. LEATHER. GREEN (GM DRIVE TRIM CODE XXIX)	1	9197491
3	PAD. DOOR TRIM. REAR. LH. LEATHER. GREEN (GM DRIVE TRIM CODE XXIX)	1	9197490
3	PAD. DOOR TRIM. REAR. RH. LEATHER. BLUE (GM DRIVE TRIM CODE XXJE)	1	9197485
3	PAD. DOOR TRIM. REAR. LH. LEATHER. BLUE (GM DRIVE TRIM CODE XXJE)	1	9197480
3	PAD. DOOR TRIM. REAR. RH. LEATHER. BEIGE (GM DRIVE TRIM CODE XXLB)	1	9197487
3	PAD. DOOR TRIM. REAR. LH. LEATHER. BEIGE (GM DRIVE TRIM CODE XXLB)	1	9197486
3	PAD. DOOR TRIM. REAR. RH. LEATHER. BLACK (GM DRIVE TRIM CODE XXLS)	1	9197247
3	PAD. DOOR TRIM. REAR. LH. LEATHER. BLACK (GM DRIVE TRIM CODE XXLS)	1	9197246
4	ESCUTCHEON. REMOTE CONTROL HANDLE. RH	1	9197242



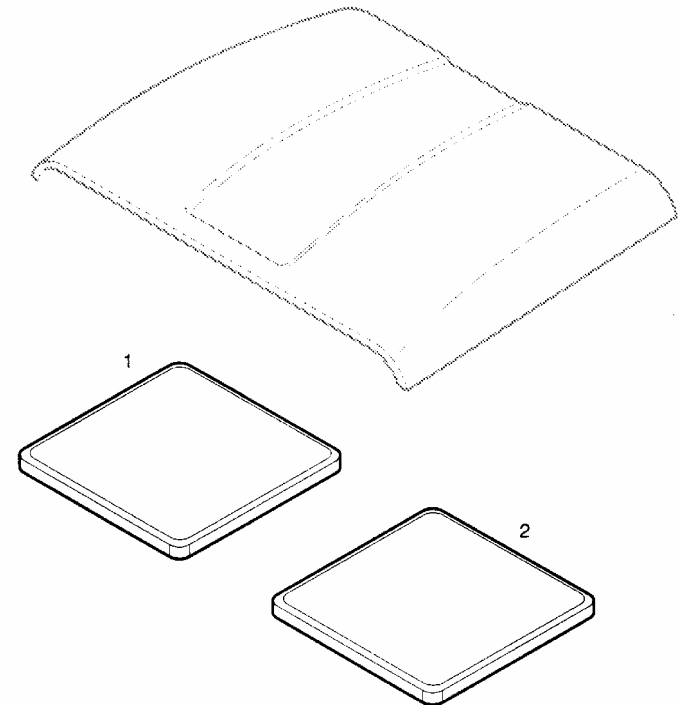
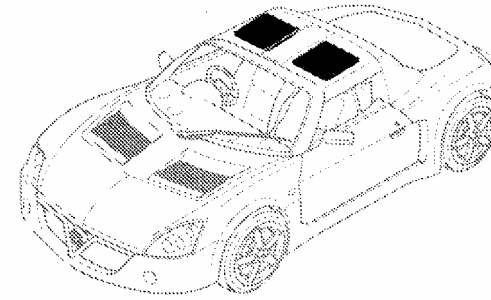
D2

4	ESCUTCHEON. REMOTE CONTROL HANDLE. LH	1	9197241
5	MOULDING. MIRROR HOUSING. RH	1	9197245
5	MOULDING. MIRROR HOUSING. LH	1	9197244
6	SCREW. MOULDING. MIRROR HOUSING	4	9197529
7	FOIL. SEALING. DOOR TRIM	2	9197105
	BULKHEAD PANEL TRIM		
-	RIVET. EXPANDING. 8MM. TRIM PANEL BRACKET	4	9197260
-	NET. RESTRAINT	1	9197472
-	RIVET. EXPANDING. 8MM. TRIM PANEL	6	9197260



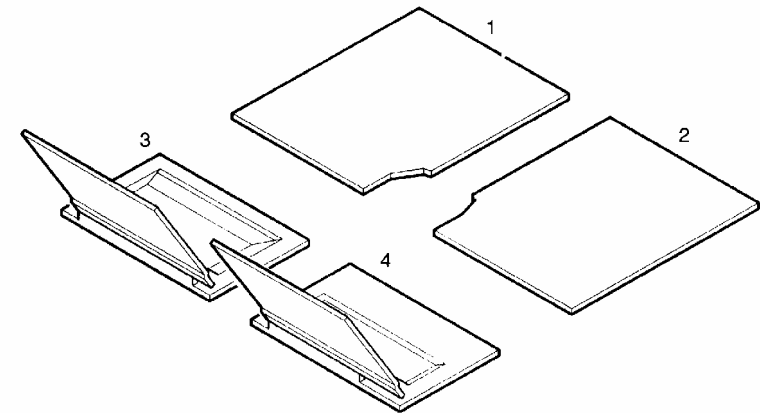
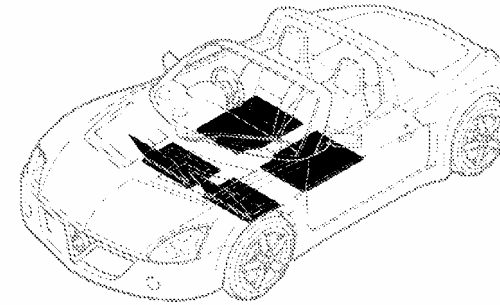
D2

D3 Ref	Part Description	Qty	Part No
ROOF TRIM PANEL FOR HARD TOP SECTION			
1	HEADLINING. ASSY.. ROOF. RH	1	9197304
2	HEADLINING. ASSY.. ROOF. LH	1	9197303
	ROLL OVER BAR TRIM		
-	COVER. ROLL-OVER BAR. RH	1	9197857
-	COVER. ROLL-OVER BAR. LH	1	9197856



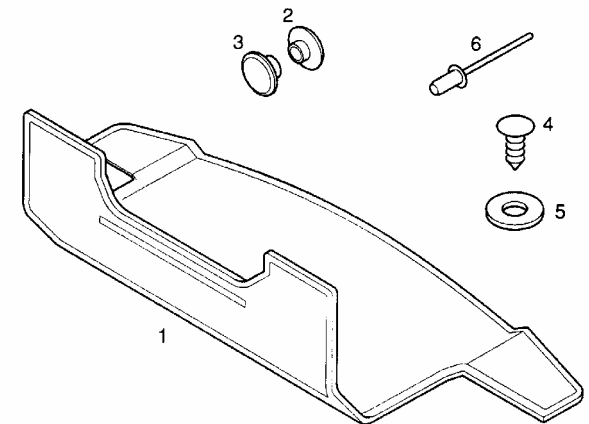
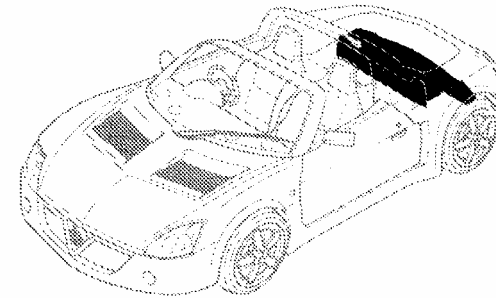
D3

D4 Ref	Part Description	Qty	Part No
FLOOR MATS AND CARPETS			
1	COVER. FLOOR. RH. LHD	1	9197233
2	COVER. FLOOR. LH. LHD	1	9197234
1	COVER. FLOOR. RH. RHD	1	9197231
2	COVER. FLOOR. LH. RHD	1	9197232
3	MAT. FRONT FLOOR. RH. LHD	1	9197523
4	MAT. FRONT FLOOR. LH. LHD	1	9197524
3	MAT. FRONT FLOOR. RH. RHD	1	9197525
4	MAT. FRONT FLOOR. LH. RHD	1	9197526



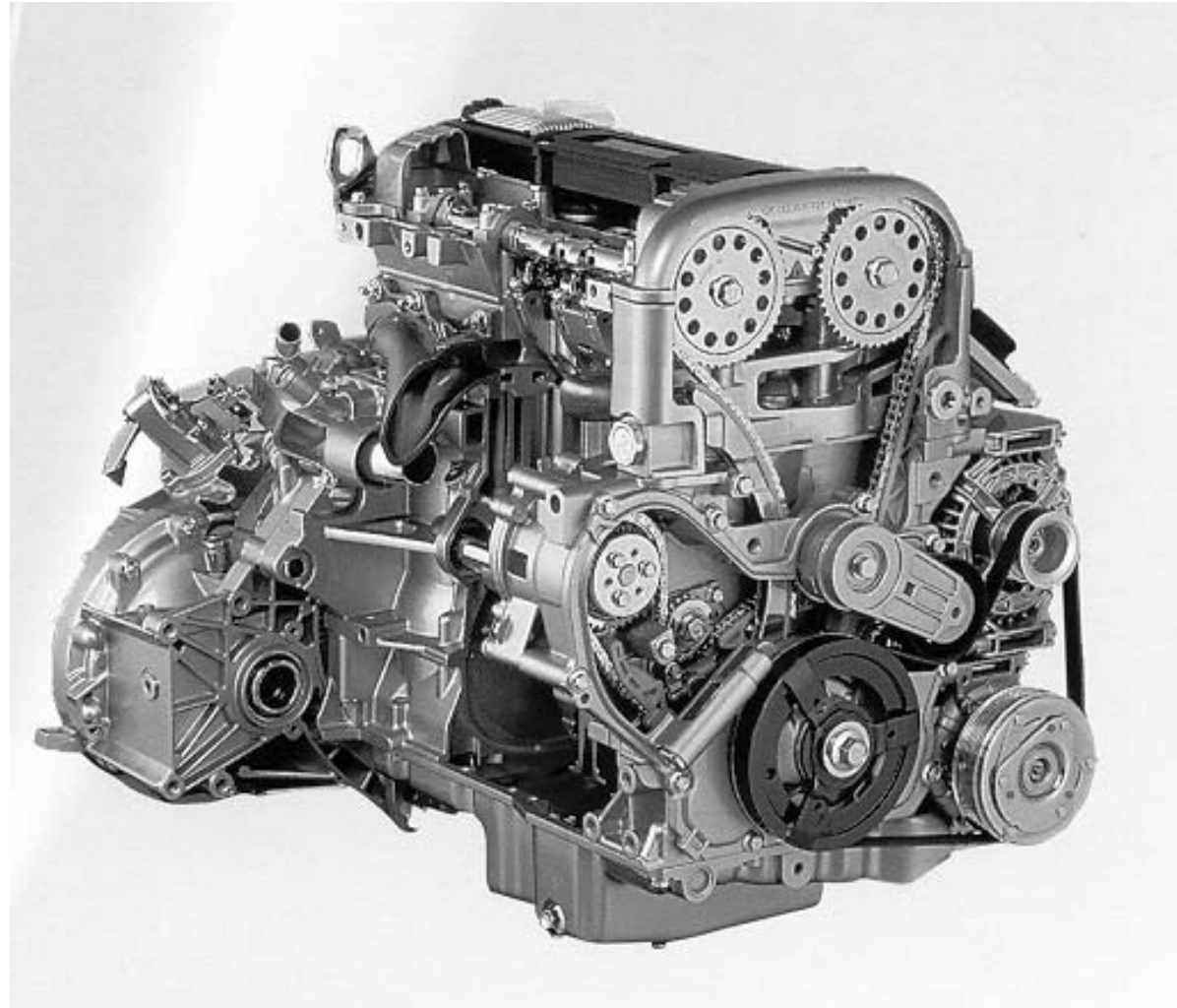
D4

D5 Ref	Part Description	Qty	Part No
LOAD COMPARTMENT CARPET			
1	CARPET. LOAD COMPARTMENT	1	9197519
2	BUTTON. PUSH. CARPET FIXING. BLACK	5	9197513
3	SOCKET. CARPET FIXING	5	9197514
4	STUD. CARPET FIXING	5	9197515
5	RIVET. BLIND. CARPET FIXING	5	9197512
6	WASHER. 3/8 X 1/8. CARPET FIXING	5	9197703

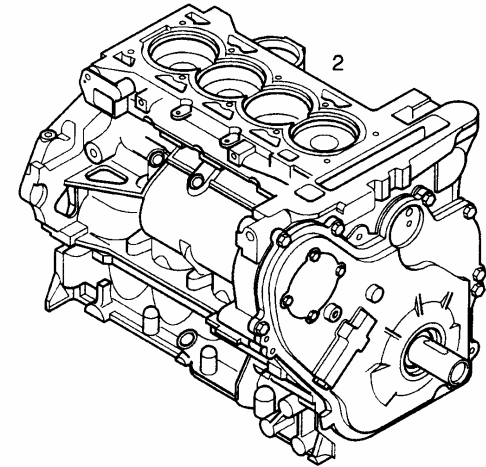
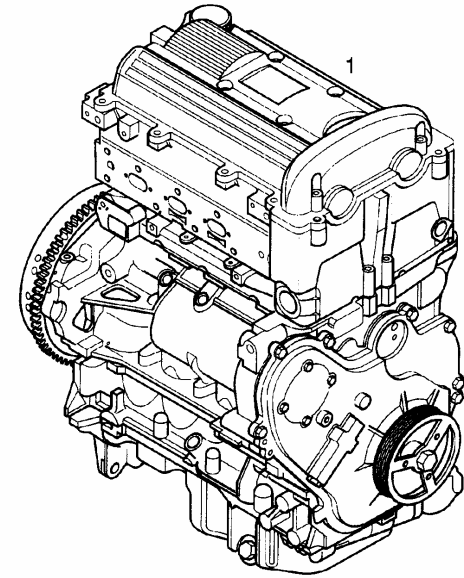


D5

ENGINE AND CLUTCH

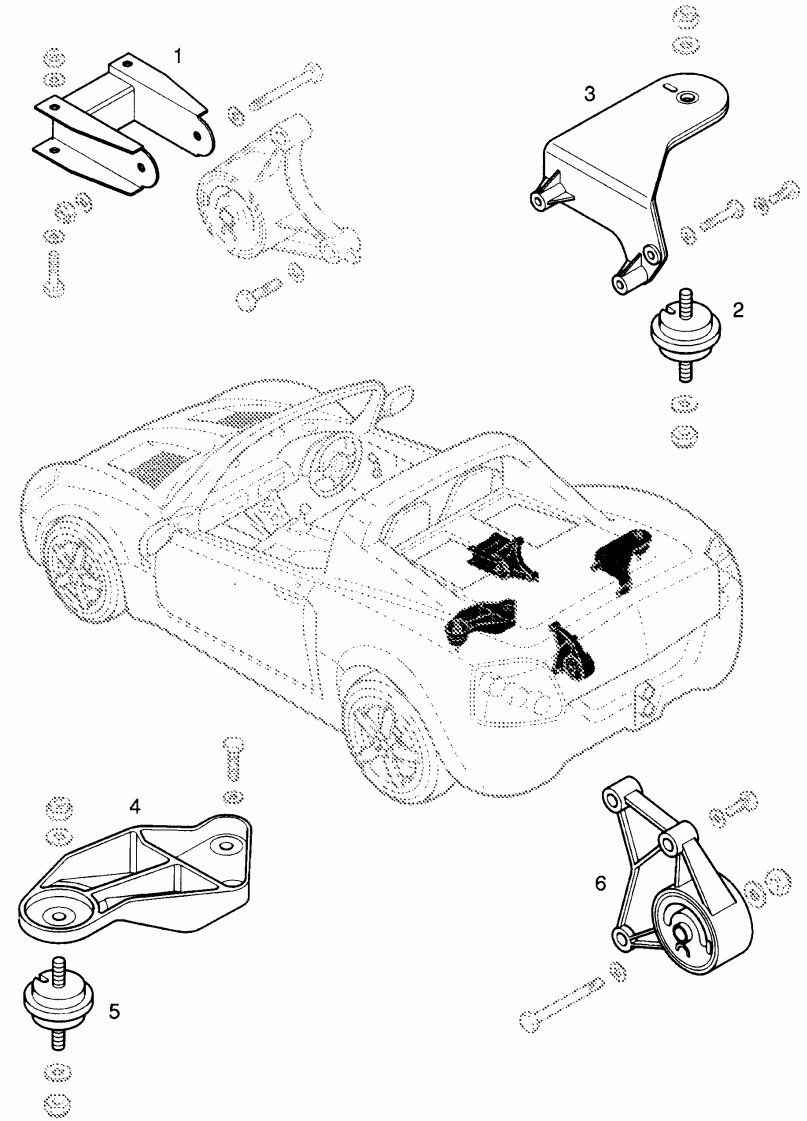


E1 Ref	Part Description	Qty	Part No
	ENGINE ASSEMBLY		
1	ENGINE. ASSY.. LESS ALTERNATOR (NOT USED WITH MULTI-FUNCTION DISPLAY)	1	90537706
	SHORT MOTOR		
2	MOTOR. ASSY.. SHORT (NLS.)	1	9200073



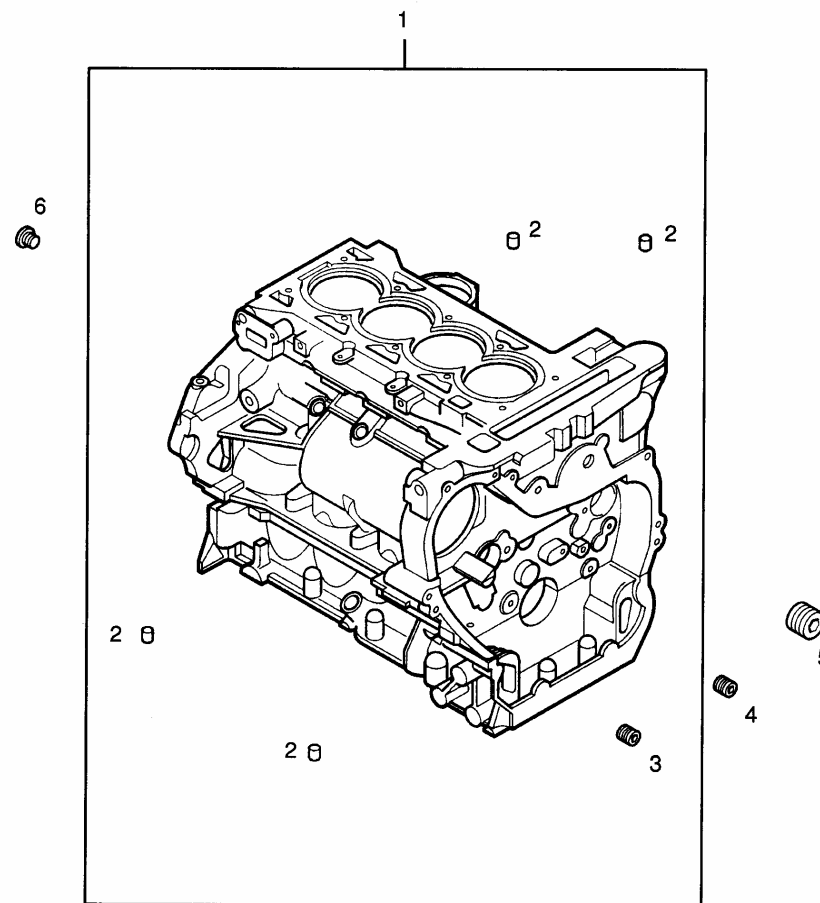
E1

E2 Ref	Part Description	Qty	Part No
ENGINE MOUNTINGS FRONT ENGINE MOUNTING			
1	BRACKET. ENGINE MOUNTING. FRONT	1	9197998
ENGINE MOUNTINGS RIGHT ENGINE MOUNTING			
2	BLOCK. DAMPER. RIGHT ENGINE MOUNTING	1	24422658
3	BRACKET. ENGINE MOUNTING. RH	1	9197997
ENGINE MOUNTINGS LEFT ENGINE MOUNTING			
4	BRACKET. ENGINE MOUNTING. LH	1	9197994
5	BLOCK. DAMPER. LEFT ENGINE MOUNTING	1	9127797
ENGINE MOUNTINGS REAR ENGINE MOUNTING			
6	BRACKET. ENGINE MOUNTING. REAR	1	9197995
-	BRACKET. ENGINE REACTION MOUNT	2	9197990



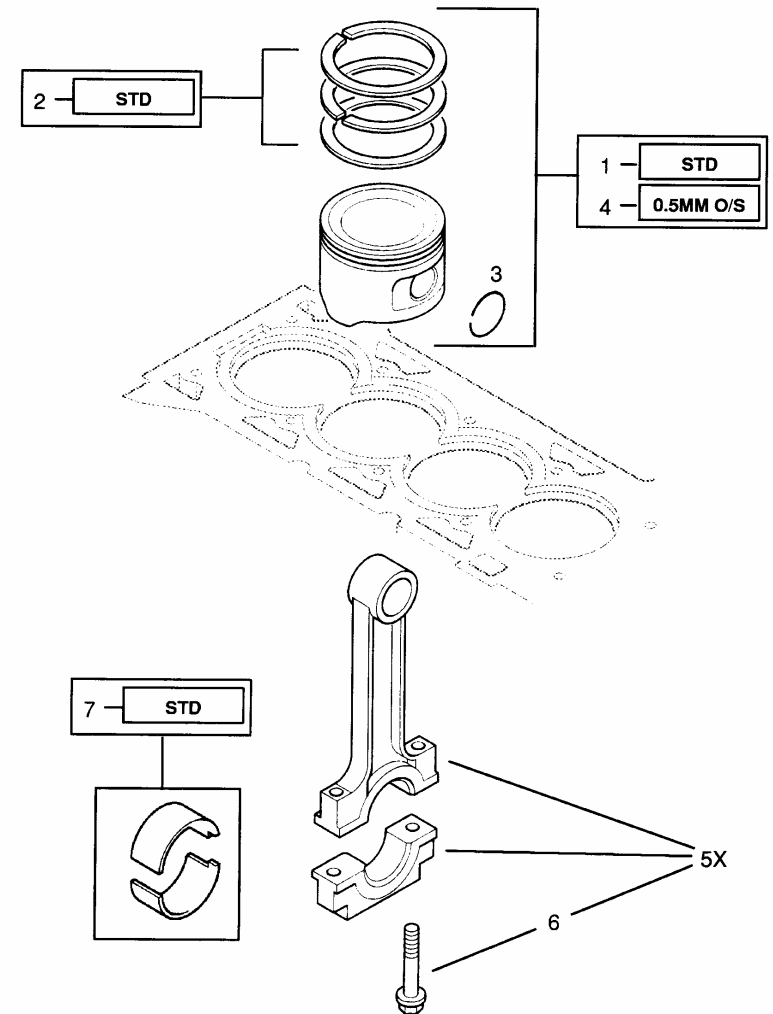
E2

E3 Ref	Part Description	Qty	Part No
CYLINDER BLOCK			
1	BLOCK. ASSY.. CYLINDER. WITH CRANKCASE. LOWER	1	90537562
-	-SCREW. SPECIAL. M10 X 147. CRANKCASE TO CYLINDER BLOCK	20	90537355
2	SLEEVE. CRANKCASE TO CYLINDER BLOCK	4	90537102
-	-BUSH. BALANCE SHAFTS. REAR	2	90537559
3	-PLUG. SCREW. OIL DUCT	5	90537378
-	-PLUG. SCREW. M16. OIL DUCT	2	21007339
CYLINDER BLOCK PLUGS Z22SE PETROL ENGINE			
3	PLUG. SCREW. OIL DUCT	5	90537378
4	PLUG. OIL DUCT	1	9198172
5	PLUG. SCREW. M6 X 50. OIL DUCT	1	9198174
6	NUT. LOCK. M6. OIL DUCT	1	9198176



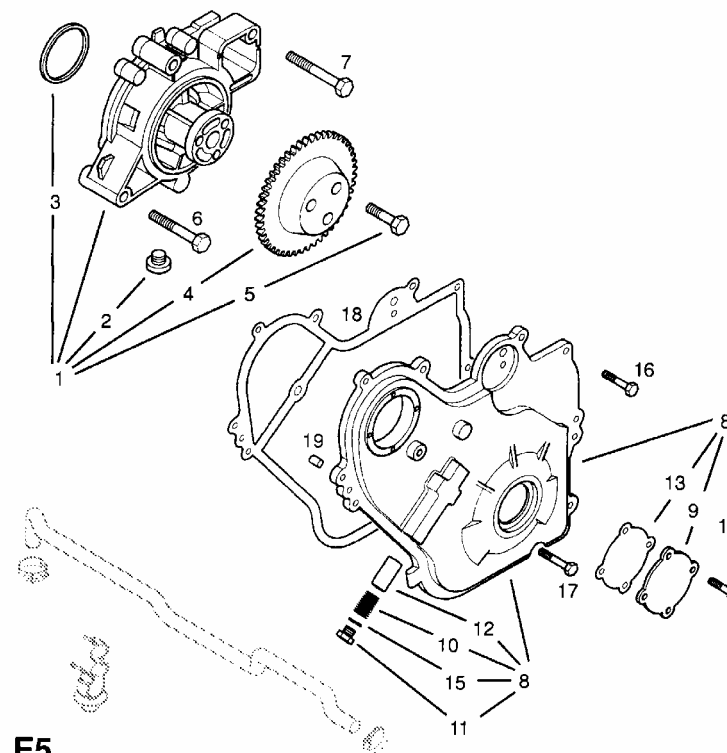
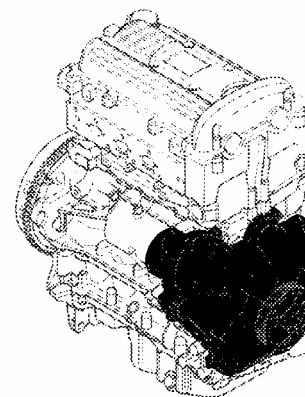
E3

E4 Ref	Part Description	Qty	Part No
PISTON AND RINGS STANDARD			
1	PISTON. PIN AND RINGS. ASSY.. STD.	4	9200281
2	-RING SET. PISTON. STD.	4	9194704
3	-RING. SNAP. PISTON PIN	8	90537376
PISTON AND RINGS OVERSIZE			
4	PISTON. PIN AND RINGS. ASSY.. 0.5MM O/S	4	9200283
3	-RING. SNAP. PISTON PIN	8	90537376
CONNECTING ROD Z22SE PETROL ENGINE			
5X	ROD AND CAP. ASSY.. CONNECTING. STD. (TONEWANDA)	4	9194699
6	-SCREW. CONNECTING ROD	8	90537293
CONNECTING ROD BEARINGS			
7	BEARING. CONNECTING ROD. STD.	4	9194705



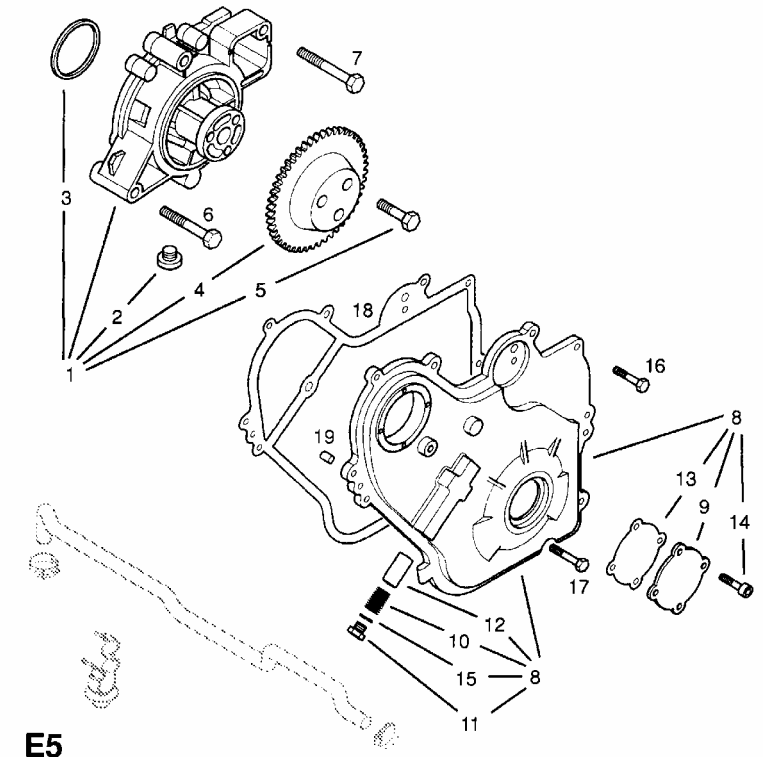
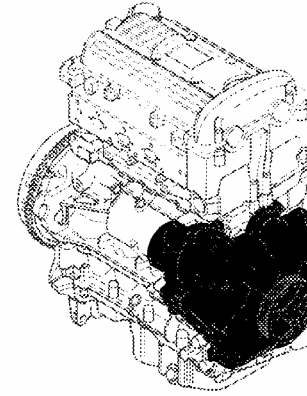
E4

E5 Ref	Part Description	Qty	Part No
CRANKCASE VENTILATION			
-	HOSE. VENTILATION. CYLINDER HEAD COVER TO AIR CLEANER	1	9198073
WATER PUMP AND FITTINGS			
1	PUMP. ASSY.. WATER	1	9194747
2	-PLUG. SCREW. WATER PUMP	1	90537623
3	SEAL. RING. WATER PUMP TO CYLINDER BLOCK	1	90537621
4	-SPROCKET. WATER PUMP	1	90537298
5	-SCREW. HEX.HD.. M6 X 13. SPROCKET TO WATER PUMP	3	11516422
6	SCREW. HEX.HD.. M8 X 65. WATER PUMP TO CYLINDER BLOCK	2	11516344
7	SCREW. HEX.HD.. M8 X 95. WATER PUMP TO CYLINDER BLOCK	2	11516987
OIL PUMP AND FITTINGS			
8	PUMP. ASSY.. OIL	1	9194744
9	-COVER. OIL PUMP	1	90537266
10	-SPRING. RELIEF VALVE. OIL PUMP	1	90537371
11	SCREW. PLUG. M20. RELIEF VALVE	1	90537361
12	-SEAL. RING. 20.2 X 23.9. PRESSURE RELIEF VALVE	1	11093042
13	-GASKET. COVER. OIL PUMP	1	90537915
14	-SCREW. HEX.HD.. M6 X 13. COVER. OIL PUMP	4	11516422
15	SEAL. RING. CRANKSHAFT FRONT	1	90571925
16	SCREW. HEX.HD.. M8 X 25. OIL PUMP TO CYLINDER BLOCK	10	90537620



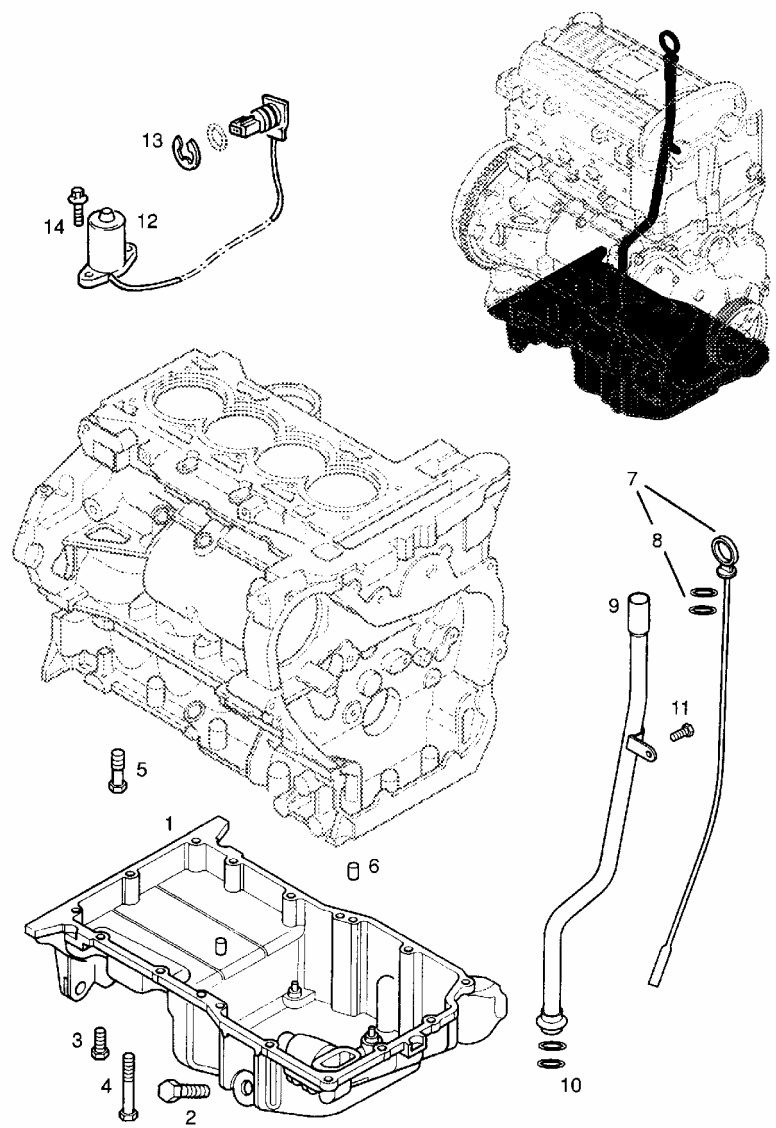
E5

17	SCREW. M8 X 95. OIL PUMP TO CYLINDER BLOCK	1	11516987
18	GASKET. OIL PUMP TO CYLINDER BLOCK	1	90537589
19	PIN. OIL PUMP	2	22531637



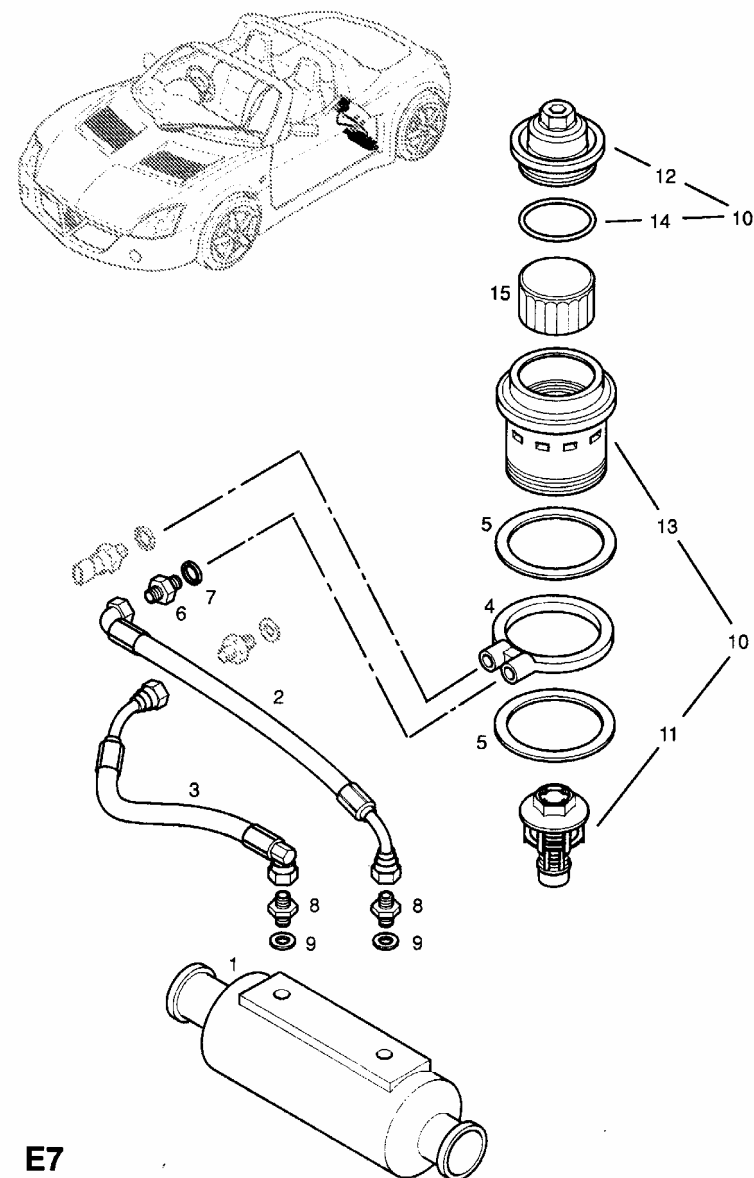
E5

E6 Ref	Part Description	Qty	Part No
OIL PAN AND FITTINGS			
1	PAN. OIL (NOT USED WITH MULTI-FUNCTION DISPLAY)	1	90537755
1	PAN. OIL (USED WITH MULTI-FUNCTION DISPLAY)	1	90537602
2	-PLUG. OIL DRAIN	1	3536964
3	SCREW. M8 X 25. OIL PAN TO CYLINDER BLOCK	14	11516336
4	SCREW. M8 X 100. OIL PAN TO CYLINDER BLOCK	1	11516988
5	SCREW. TORX. M8 X 75. CRANKSHAFT BEARING COVER TO CYLINDER BLOCK	10	11516967
6	PIN. OIL PAN	2	22531637
OIL LEVEL INDICATOR Z22SE PETROL ENGINE			
7	ROD. OIL LEVEL INDICATOR	1	24428553
8	-O'RING. OIL LEVEL INDICATOR ROD	2	90529866
9	GUIDE. OIL LEVEL INDICATOR ROD	1	9197987
-	CLIP. DIPSTICK TUBE	1	9198138
10	O'RING. GUIDE. OIL LEVEL INDICATOR ROD	2	90467275
11	SCREW. HEX.HD.. M6 X 10. OIL LEVEL INDICATOR GUIDE TUBE TO CYLINDER BLOCK	1	11516421
OIL LEVEL SENSOR Z22SE PETROL ENGINE			
12	SENSOR. MINIMUM OIL LEVEL. OIL PAN	1	90379288
13	WASHER. SAFETY. 18.0. MINIMUM OIL LEVEL SENSOR	1	11094181
14	SCREW. TORX. M6 X 20. MINIMUM OIL LEVEL SENSOR TO OIL PAN	2	11095001



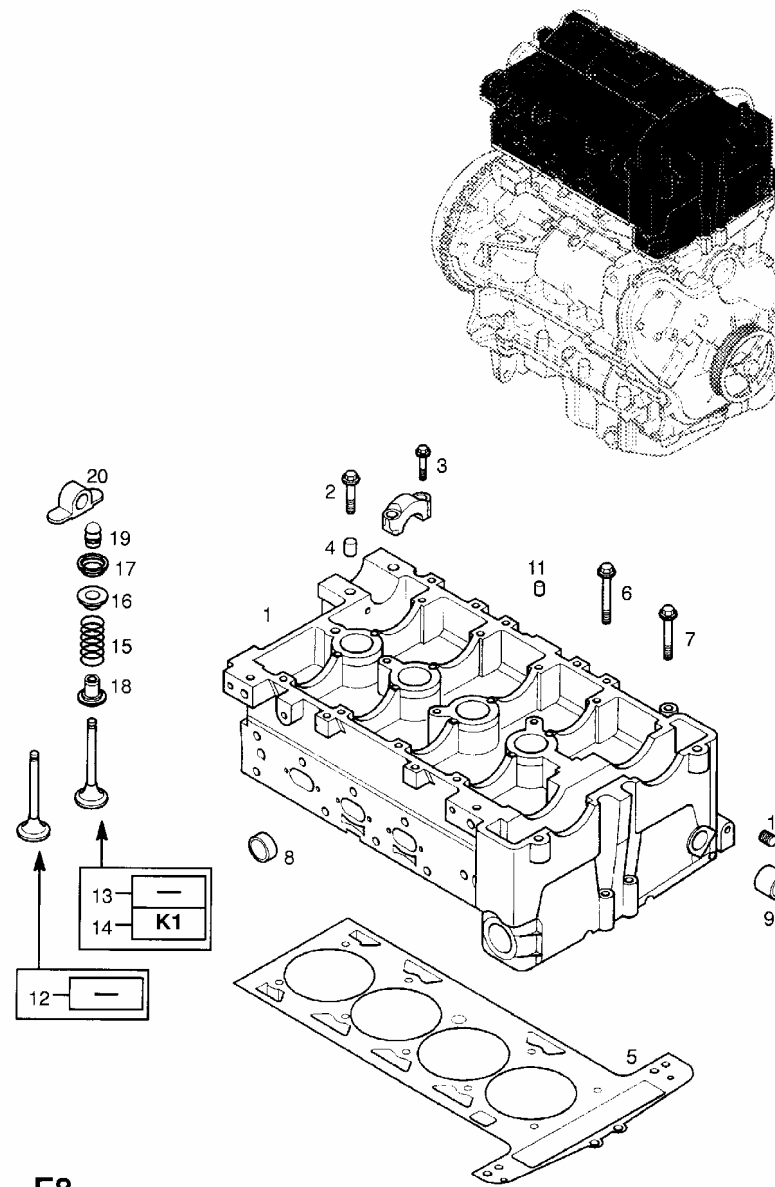
E6

E7 Ref	Part Description	Qty	Part No
OIL COOLER RADIATOR			
1	RADIATOR. ENGINE OIL COOLER	1	9198198
OIL COOLER PIPES AND HOSES Z22SE PETROL ENGINE			
2	HOSE. OIL COOLER FEED. 450MM	1	9198196
3	HOSE. OIL COOLER RETURN. 300MM	1	9198197
4	CONNECTOR. OIL COOLER HOSE TO OIL FILTER	1	9198173
5	SEAL. RING. OIL COOLER CONNECTOR TO OIL FILTER	2	9198195
6	SCREW. HOLLOW. M12 / 5/8. OIL COOLER HOSE TO CONNECTOR RING	1	9198188
7	SEAL. RING. M12. OIL COOLER HOSE TO CONNECTOR	2	9198193
8	SCREW. HOLLOW. M18 / 5/8. OIL COOLER HOSE TO RADIATOR	2	9198189
9	SEAL. RING. M18. OIL COOLER HOSE TO RADIATOR	2	9198194
OIL FILTER Z22SE PETROL ENGINE			
10	FILTER. ASSY.. OIL	1	9198199
11	CAP. OIL FILTER. INNER	1	9198192
12	-CAP. OIL FILTER. OUTER. UPPER	1	9198190
13	-ADAPTER. OIL FILTER HOUSING	1	9198175
14	-O'RING. OIL FILTER CAP	1	24100002
15	ELEMENT. OIL FILTER	1	9194746
-	CAP. OIL FILTER. OUTER. LOWER	1	9198191

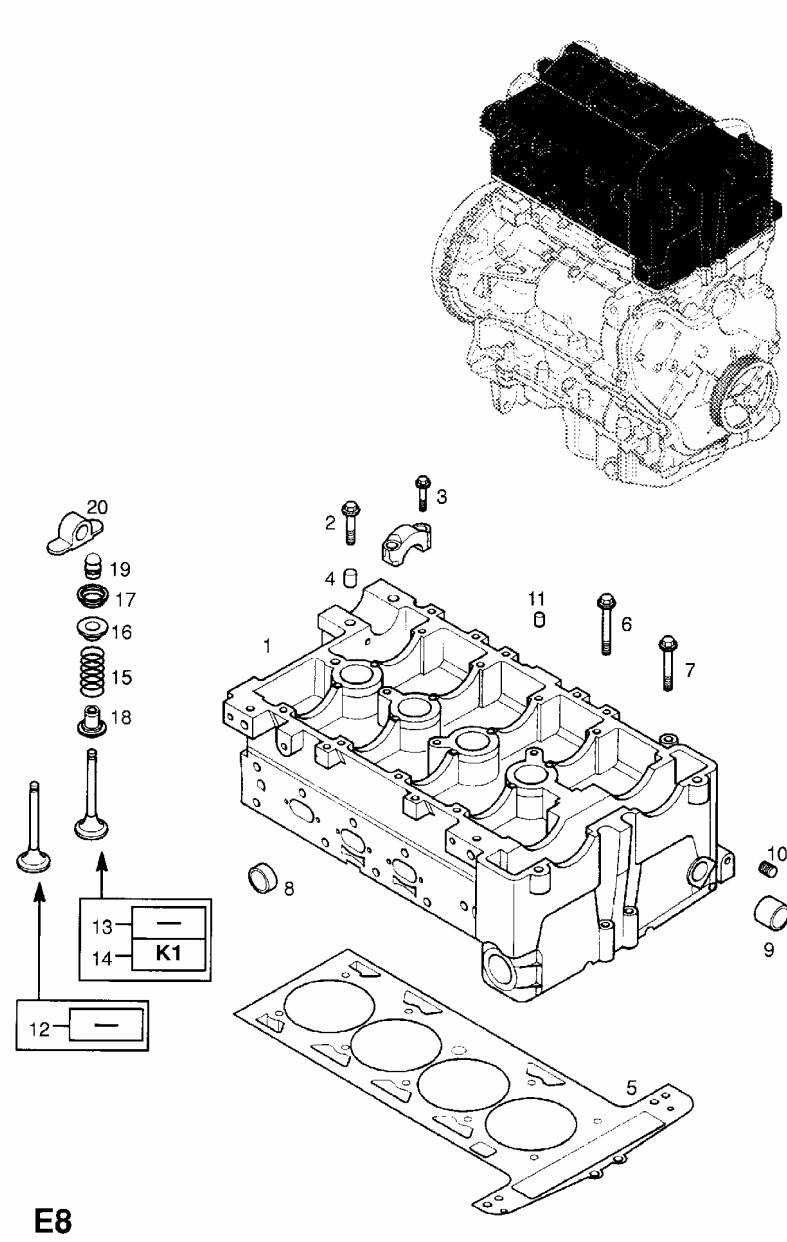


E7

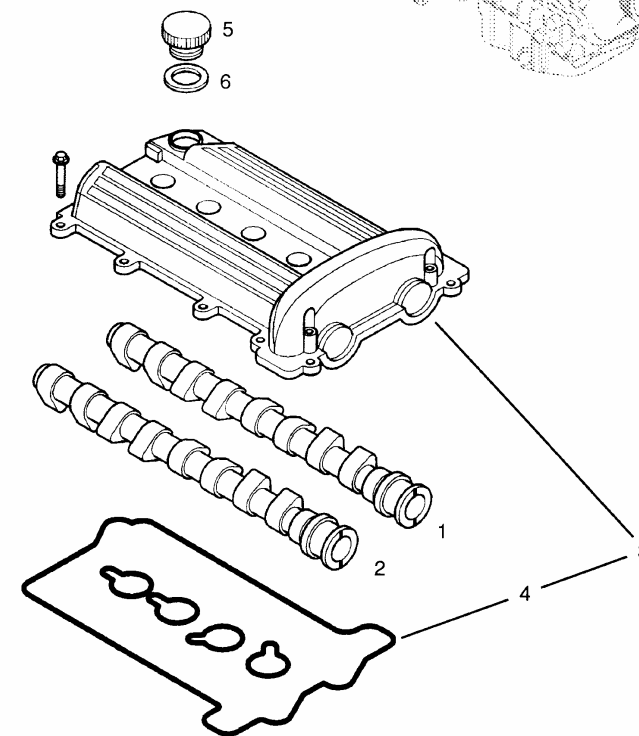
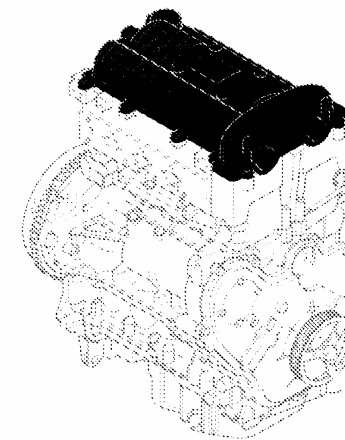
E8 Ref	Part Description	Qty	Part No
CYLINDER HEAD. PLUGS AND GASKET			
1	HEAD. ASSY.. CYLINDER. LESS VALVES	1	24411546
2	-SCREW. TORX. M8 X 40. CAMSHAFT BEARING COVER TO CYLINDER HEAD	2	11516339
3	-SCREW. HEX.HD.. M6 X 40. CAMSHAFT BEARING COVER TO CYLINDER HEAD	20	11516427
4	-SLEEVE. CAMSHAFT CASE TO CYLINDER HEAD	2	90537104
5	GASKET. CYLINDER HEAD	1	9194113
6	SCREW. CYLINDER HEAD TO CYLINDER BLOCK	4	24407225
7	SCREW. M11 X 164. CYLINDER HEAD TO CYLINDER BLOCK	10	90537691
8	PLUG. EXPANSION	2	21000867
9	PLUG. LOCKING	2	21007339
10	PLUG. SCREW	8	90537378
11	SLEEVE. CYLINDER HEAD TO CYLINDER BLOCK	2	90537102
-	NUT. HEX.SELF LOCKING. M8. ENGINE TRANSPORT SHACKLE	1	11516076
VALVES. INLET AND EXHAUST			
12	VALVE. INLET. STD.(LESS IDENT)	8	90537240
13	VALVE. EXHAUST. STD.(LESS IDENT)	8	24434957
14	VALVE. EXHAUST. 0.075 MM O/S (IDENT K1)	8	24434465
15	SPRING. EXHAUST AND INLET VALVE	16	90537032



16	CUP. EXHAUST AND INLET VALVE SPRING	16	90537243
17	KEY. VALVE STEM	32	90354648
18	SEAL. VALVE STEM	16	90537241
	VALVE LIFTER Z22SE PETROL ENGINE		
19	LIFTER. VALVE	16	9194698
	ROCKER ARM Z22SE PETROL ENGINE		
20	ARM. VALVE ROCKER	16	9194096

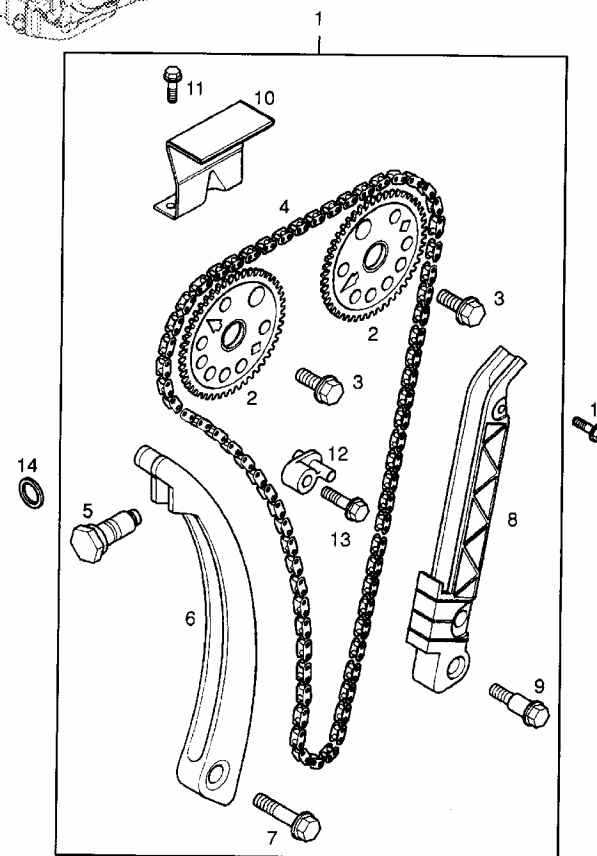
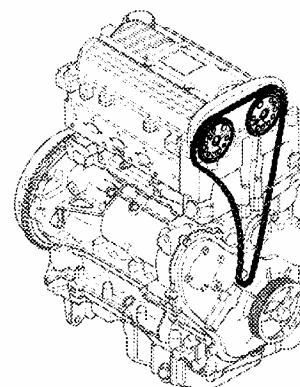


E9 Ref	Part Description	Qty	Part No
CAMSHAFT			
1	CAMSHAFT. INLET. STD.	1	9194109
2	CAMSHAFT. EXHAUST. STD.	1	9194102
CYLINDER HEAD COVER AND GASKET			
3	COVER. CYLINDER HEAD. WITH GASKET	1	24426734
4	GASKET. CYLINDER HEAD COVER	1	90537319
OIL FILLER CAP Z22SE PETROL ENGINE			
5	CAP. OIL FILLER	1	90537919
6	GASKET. OIL FILLER CAP	1	24100002



E9

E10 Ref	Part Description	Qty	Part No
TIMING CHAIN, GEAR AND PULLEYS			
1	SET. DRIVE PARTS. CAMSHAFT	1	90537843
2	-SPROCKET. CAMSHAFT	2	90537632
3	-SCREW. M12 X 30. TIMING SPROCKET ON CAMSHAFT	2	90537451
4	-CHAIN. TIMING	1	90537338
5	-TENSIONER. ASSY.. TIMING CHAIN	1	90537802
6	N-ARM. TENSIONER. TIMING CHAIN	1	90537842
7	-BOLT. TIMING CHAIN TENSIONER ARM TO CYLINDER BLOCK	1	11516425
8	-RAIL. GUIDE. TIMING CHAIN	1	90537633
9	-BOLT. GUIDE RAIL	2	90537445
10	RAIL. GUIDE. TIMING CHAIN. UPPER	1	90537337
11	-SCREW. HEX.HD.. M6 X 13. GUIDE RAIL TO CYLINDER BLOCK	2	11518295
-	-SCREW PLUG. FRONT TIMING CASE	1	90537360
12	-JET. ASSY.	1	90537476
13	-SCREW. HEX.HD.. M6 X 30. JET. ASSY.	1	11516425
14	RING. SEAL. TENSIONER HOUSING	1	90537625
15	SCREW. HEX.HD.. M10 X 60. TENSIONER TO CYLINDER BLOCK	1	11516354



E10

E11 Ref	Part Description	Qty	Part No
---------	------------------	-----	---------

CRANKSHAFT

1	CRANKSHAFT	1	9194162
2	SCREW, HEX.HD., DAMPER TO CRANKSHAFT	1	90537363

CRANKSHAFT BEARINGS AND SEALS Z22SE PETROL ENGINE

3	BEARING, CRANKSHAFT, UPPER AND LOWER, STD.	4	9194163
4	BEARING, CRANKSHAFT, UPPER AND LOWER, 0.25MM U/S	4	9196717
5	BEARING, CRANKSHAFT, UPPER AND LOWER, 0.50MM U/S	4	9196718
6	SEAL, RING, 90 X 104 X 11, CRANKSHAFT REAR BEARING	1	90325572

CRANKSHAFT BEARING GUIDE Z22SE PETROL ENGINE

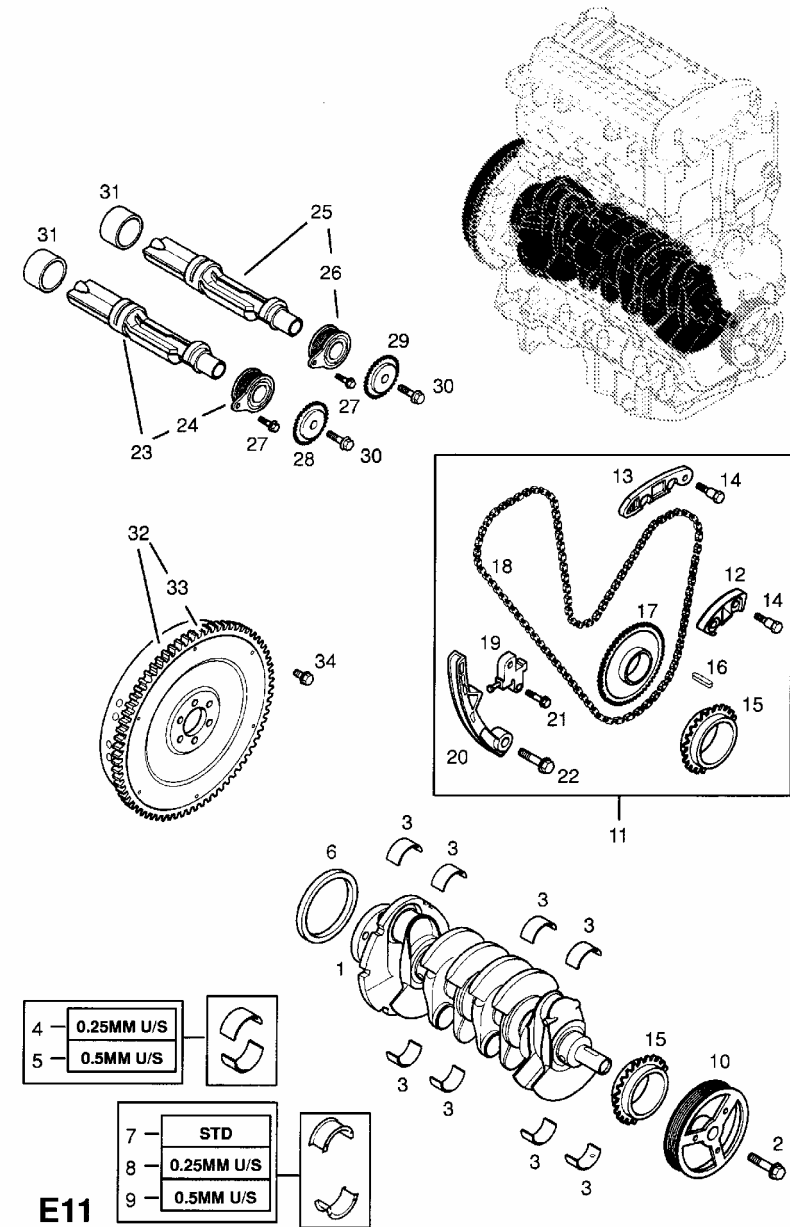
7	GUIDE, CRANKSHAFT BEARING, UPPER AND LOWER, STD.	1	9194165
8	GUIDE, CRANKSHAFT BEARING, UPPER AND LOWER, 0.25MM U/S	1	9196719
9	GUIDE, CRANKSHAFT BEARING, UPPER AND LOWER, 0.50MM U/S	1	9196720

CRANKSHAFT PULLEY Z22SE PETROL ENGINE

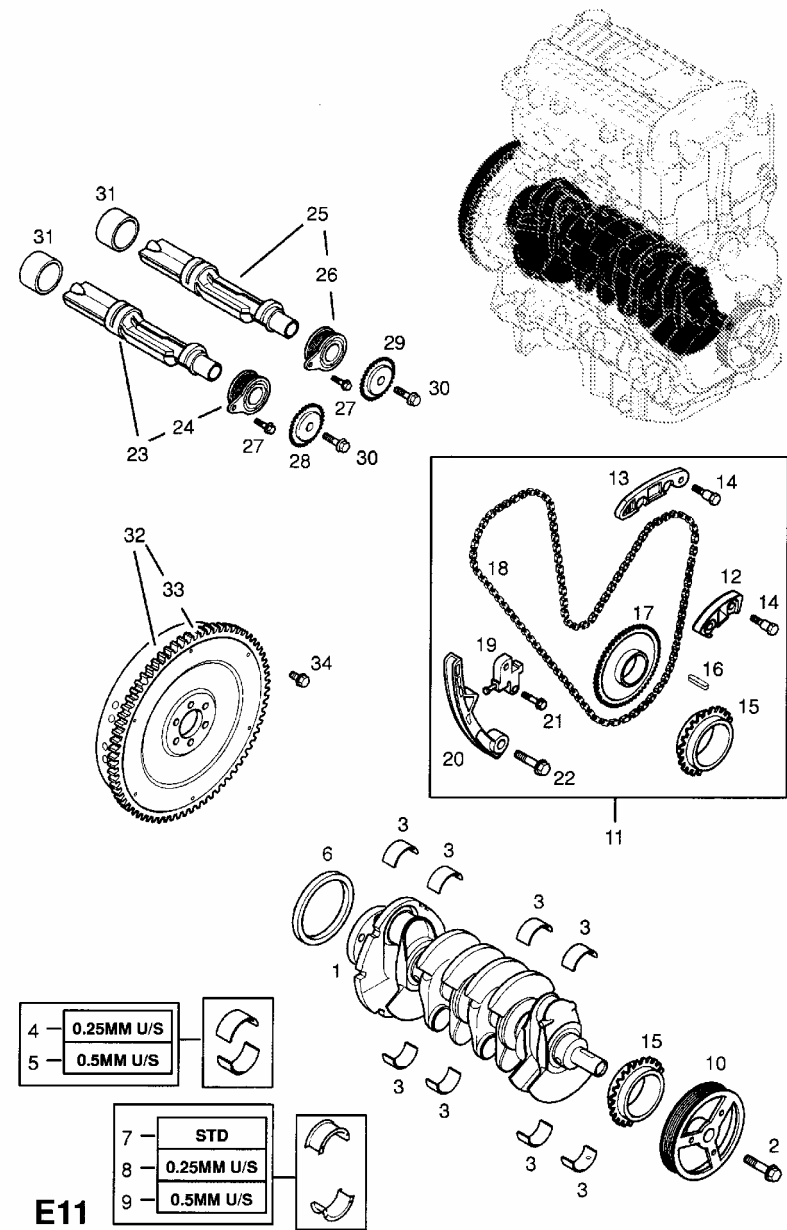
10	PULLEY, CRANKSHAFT	1	90537704
----	--------------------	---	----------

**ENGINE VIBRATION DAMPER Z22SE PETROL ENGINE
BALANCE UNIT**

11	SET, DRIVE, BALANCE SHAFT	1	90537593
12	RAIL, GUIDE, BALANCE SHAFT CHAIN, LOWER	1	90537369
13	-RAIL, GUIDE, BALANCE SHAFT CHAIN, UPPER	1	90537336



14	-BOLT. GUIDE RAIL	4	90537445
15	-GEAR. TIMING. CRANKSHAFT	1	24424758
16	-KEY. WOODRUFF. GEAR TO CRANKSHAFT	1	24424855
17	GEAR. CRANKSHAFT. BALANCE SHAFT CHAIN	1	90537301
18	-CHAIN. DRIVING. ENGINE VIBRATION DAMPER BALANCE UNIT	1	90537370
19	-TENSIONER ASSY.. TIMING CHAIN. ENGINE VIBRATION DAMPER BALANCE UNIT	1	90537300
20	-ARM. TENSIONER. TIMING CHAIN	1	90537299
21	-BOLT. M6 X 30. BALANCE UNIT CHAIN TENSIONER TO CYLINDER BLOCK	2	11516425
22	-BOLT. M6 X 30. BALANCE UNIT CHAIN TENSIONER TO CYLINDER BLOCK	1	11516425
23	SHAFT. ENGINE VIBRATION DAMPER BALANCE UNIT. RH	1	90537566
24	-BEARING. BALANCE SHAFT. ENGINE. RH	1	90537455
25	SHAFT. ENGINE VIBRATION DAMPER BALANCE UNIT. LH	1	90537565
26	-BEARING. BALANCE SHAFT. ENGINE. LH	1	90537456
27	SCREW. M6 X 16. BALANCE UNIT HOUSING TO CYLINDER BLOCK	2	11516398
28	SPROCKET. ENGINE VIBRATION DAMPER BALANCE UNIT SHAFT. RH	1	90537295
29	SPROCKET. ENGINE VIBRATION DAMPER BALANCE UNIT SHAFT. LH	1	90537435
30	SCREW. HEX.HD.. M10 X 25. SPROCKET TO ENGINE VIBRATION DAMPER BALANCE UNIT SHAFT	2	11516347



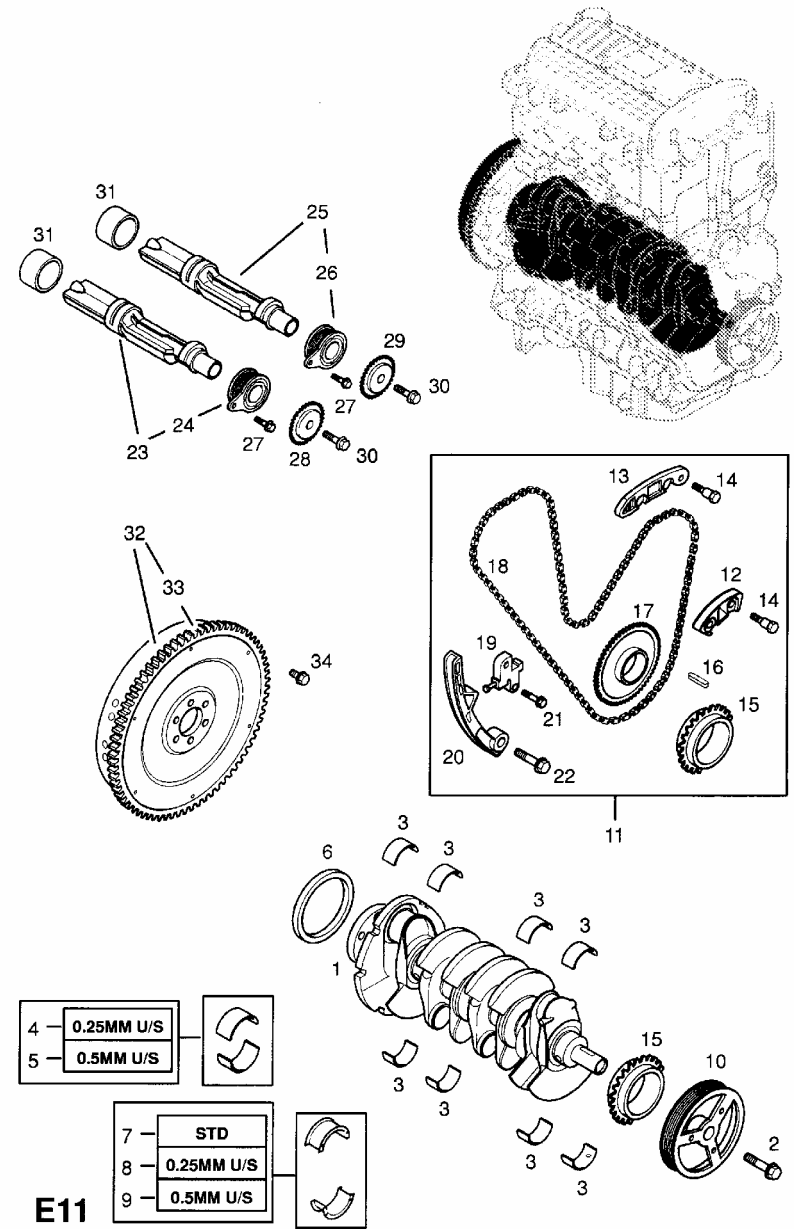
31 BUSH. BALANCE SHAFTS. REAR 2 90537559

FLYWHEEL AND FITTINGS Z22SE PETROL ENGINE

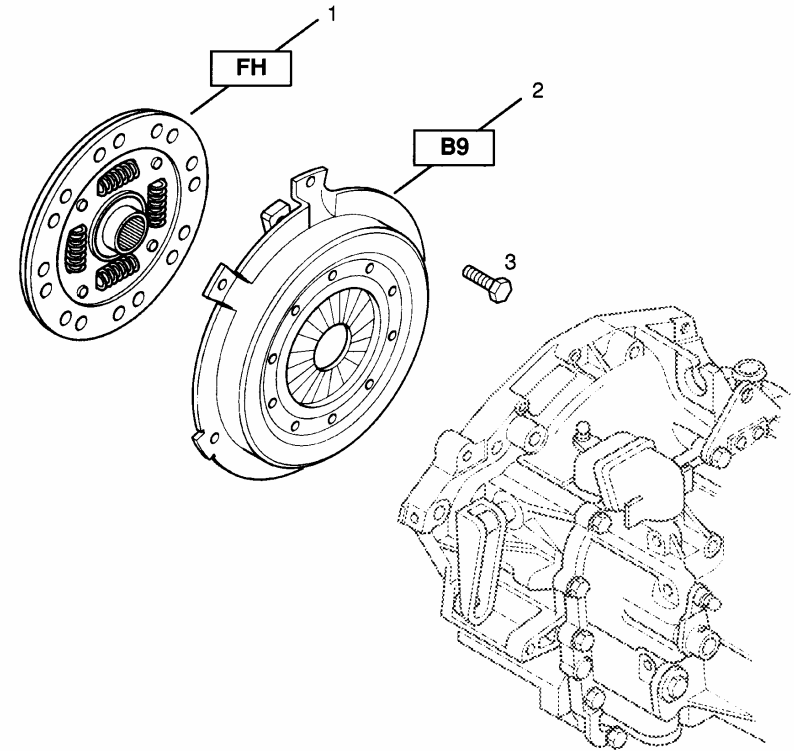
32 FLYWHEEL. ASSY. 1 90537283

33 -GEAR. RING. FLYWHEEL 1 90136995

34 SCREW. HEX.HD.. M10 X 25. FLYWHEEL TO CRANKSHAFT 6 90511423

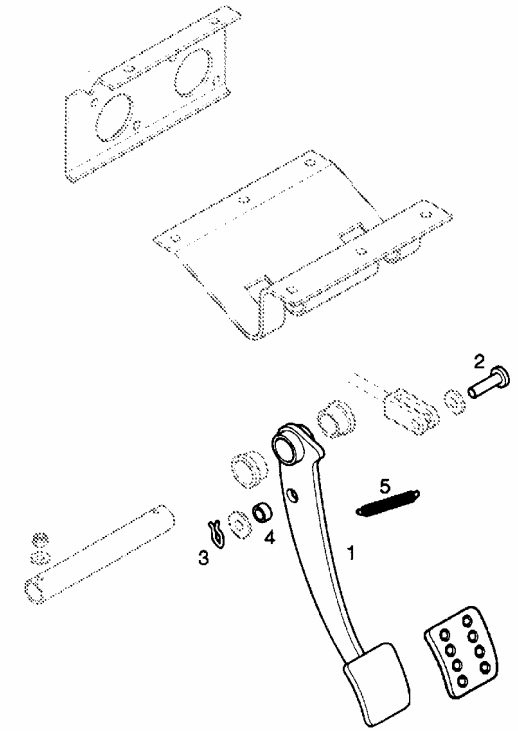
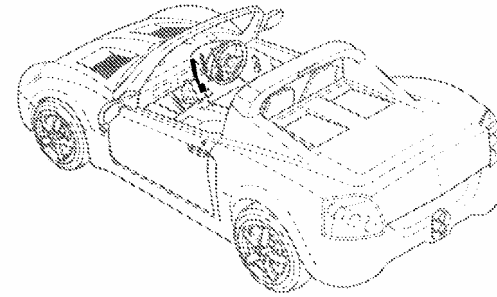


E12 Ref	Part Description	Qty	Part No
CLUTCH			
1	DISC. ASSY.. CLUTCH (IDENT FH)	1	9194767
2	COVER. AND PRESSURE PLATE. ASSY.. CLUTCH (IDENT B9)	1	9119506
3	SCREW. HEX.HD.. M7 X 22. CLUTCH TO FLYWHEEL	6	90444148



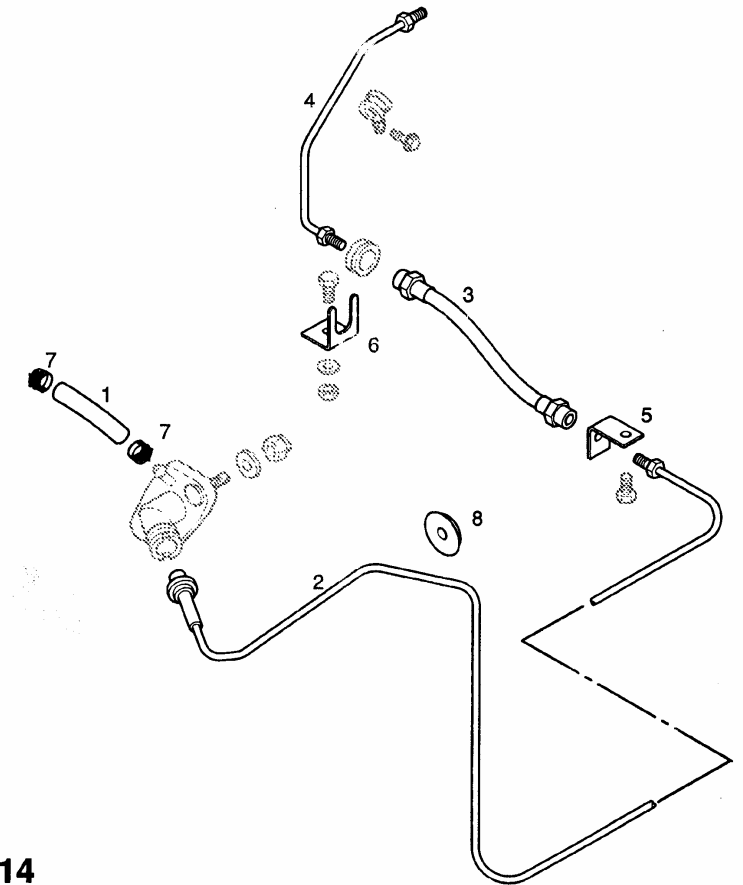
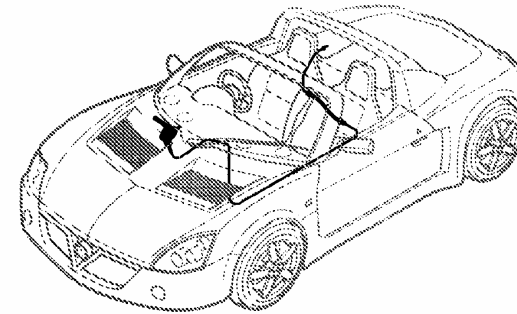
E12

E13 Ref	Part Description	Qty	Part No
CLUTCH PEDAL AND FIXINGS			
	-CYLINDER. ASSY.. CLUTCH MASTER	1	9197407
1	PEDAL. ASSY.. CLUTCH	1	9197413
2	PIN. CLEVIS. PUSH ROD TO CLUTCH PEDAL	2	9197409
3	CLIP. CLEVIS PIN TO CLUTCH PEDAL	2	9197410
4	BUSH. CLEVIS PIN TO PEDAL	1	9197415
5	SPRING. RETURN. ASSY.. CLUTCH PEDAL	1	9197411
-	BRACKET. RETURN SPRING	1	9198210



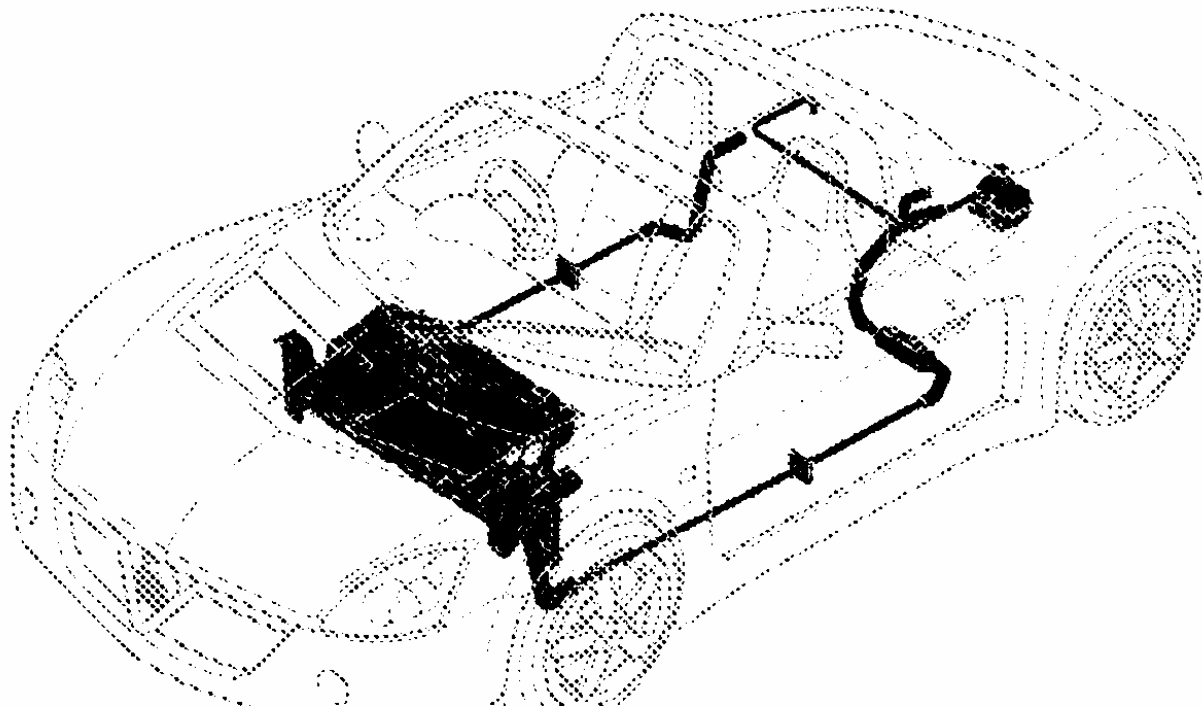
E13

E14 Ref	Part Description	Qty	Part No
CLUTCH PIPES AND HOSES			
1	HOSE. CLUTCH. MASTER CYLINDER TO RESERVOIR	1	9198209
-	HOSE. CLUTCH. MASTER CYLINDER TO SLAVE CYLINDER	1	9198208
2	PIPE. CLUTCH OPERATING. FRONT. LHD	1	9198212
2	PIPE. CLUTCH OPERATING. FRONT. RHD	1	9198211
3	PIPE. CLUTCH OPERATING. INTERMEDIATE	1	9198213
4	PIPE. CLUTCH OPERATING. REAR	1	9198214
5	BRACKET. CLUTCH PIPE TO CHASSIS	1	9198215
6	BRACKET. CLUTCH PIPE TO TRANSMISSION	1	9198216
7	CLAMP. HOSE. CLUTCH FLUID RESERVOIR TO CLUTCH MASTER CYLINDER	2	9198202
8	GROMMET. CLUTCH PIPE THROUGH BULKHEAD	1	9198200
-	CLIP. CLUTCH PIPE TO DASH PANEL CROSSMEMBER	1	9197527
-	CLIP. CLUTCH HOSE	8	9198206
-	CLIP. SWIVEL. CLUTCH AND HEATER PIPES	2	9198203
-	CLIP. SWIVEL. CLUTCH AND HEATER PIPES	2	9198204
CLUTCH SLAVE CYLINDER CLUTCH CONTROLS			
-	CYLINDER. ASSY.. CLUTCH SLAVE	1	9198207

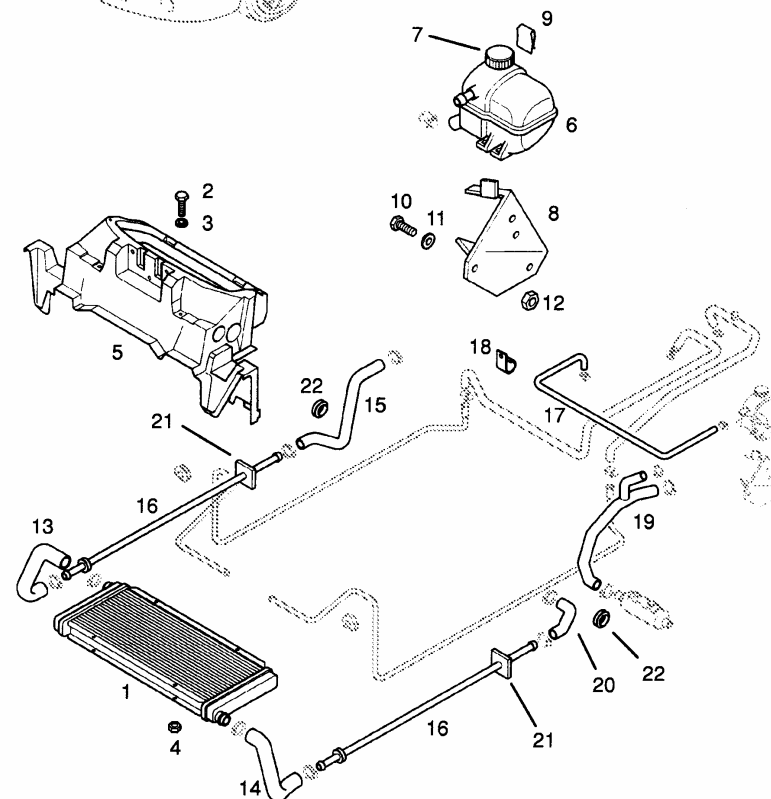
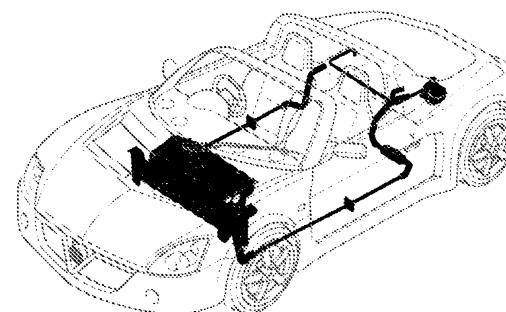


E14

COOLING



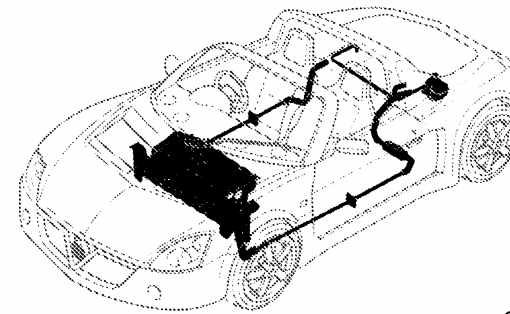
F1 Ref	Part Description	Qty	Part No
RADIATOR AND THERMOSTAT SWITCH			
1	RADIATOR. ASSY.	1	9198143
2	SCREW. HEX.HD.. M6 X 16. RADIATOR FIXING BRACKET	4	9198126
3	WASHER. 6 X 18. RADIATOR FIXING BRACKET	3	9198154
4	NUT. HEX.. SELF LOCKING. M6. RADIATOR FIXING BRACKET	4	9198151
RADIATOR HOUSING			
5	HOUSING. RADIATOR	1	9198171
-	SCREW. RD.HD.. M5 X 16. RADIATOR HOUSING TO CRASH LIMITER	6	9197708
-	WASHER. 3/16 X 3/4. RADIATOR HOUSING TO CRASH LIMITER	6	9198016
-	SCREW. RD.HD.. M5 X 16. RADIATOR HOUSING TO CRASH LIMITER	2	9198219
-	WASHER. 3/16 X 1/2. RADIATOR HOUSING TO CRASH LIMITER	2	9197743
-	WASHER. 6 X 15. RADIATOR HOUSING TO CRASH LIMITER	4	9198128
-	SCREW. HEX.HD.. M6 X 20. RADIATOR HOUSING TO CRASH LIMITER	2	9198127
-	NUT. HEX.. SELF LOCKING. M6. RADIATOR HOUSING TO CRASH LIMITER	2	9198220
-	CLIP. NUT. M5. RADIATOR HOUSING TO CRASH LIMITER	8	9197269
-	SEAL. RADIATOR HOUSING. RH	1	9197651
-	SEAL. RADIATOR HOUSING. LH	1	9197650



F1

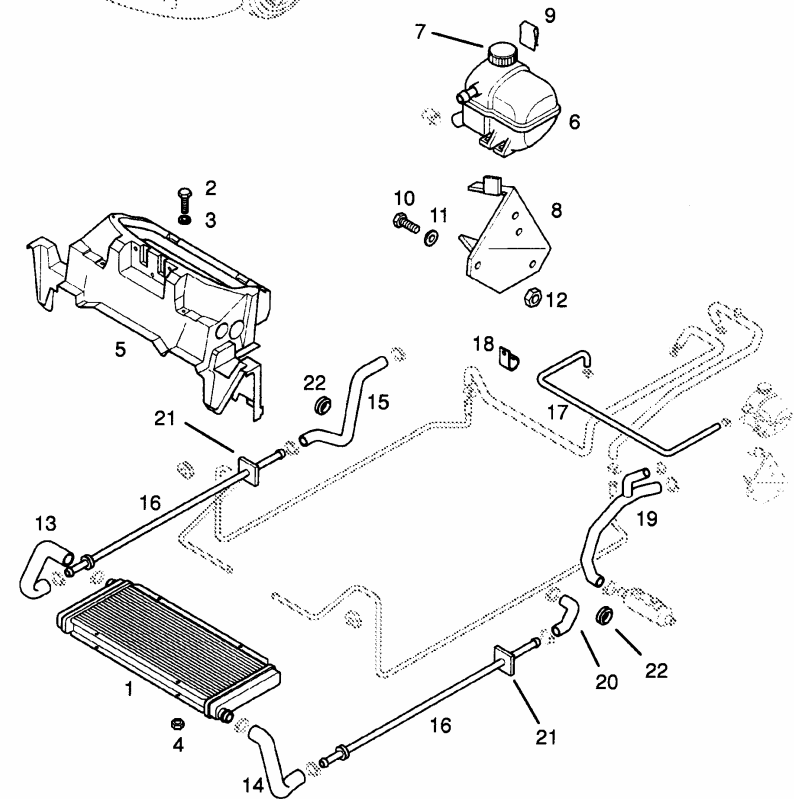
HEADER TANK

6	TANK. ASSY.. HEADER	1	9117436
7	CAP. HEADER TANK	1	90467473
-	SENSOR. COOLANT FLUID LEVEL	1	9117438
8	BRACKET. HEADER TANK	2	9198169
9	CLAMP. HEADER TANK TO BRACKET	1	90233545
10	SCREW. HEX.HD.. M6 X 20. HEADER TANK TO BRACKET	2	9198127
11	WASHER. 6 X 15. HEADER TANK TO BRACKET	2	9198128
12	NUT. HEX.. SELF LOCKING. M6. HEADER TANK TO BRACKET	2	9198151

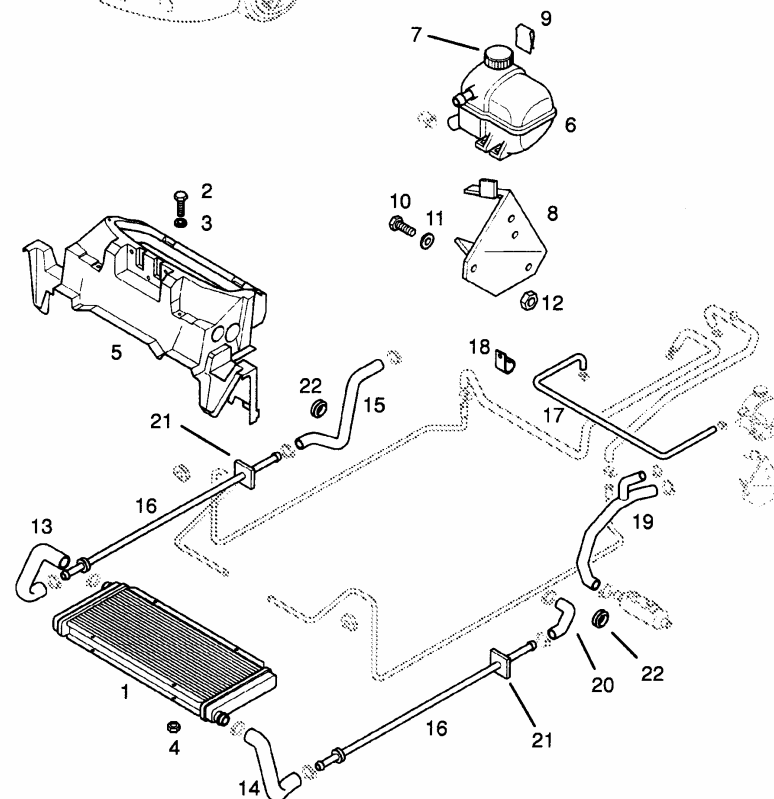
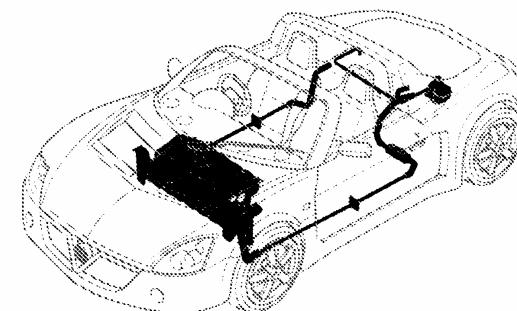


HOSES AND PIPES

13	HOSE. RADIATOR INLET. RH	1	9198141
14	HOSE. RADIATOR OUTLET WITH AIR BLEED VALVE. LH	1	9198140
-	-SCREW. BLEEDER	1	9198142
15	HOSE. COOLANT. FEED	1	9198163
16	PIPE. COOLANT. FEED AND RETURN FLOW	2	9198164
17	HOSE. DEGASSING PIPE	1	9198166
-	SCREW. M5 X 20. DEGASSING HOSE	2	9197695
-	CLIP. DEGASSING HOSE	2	9197700
-	NUT. HEX.. SELF LOCKING. M5. DEGASSING HOSE	2	9198054
-	WASHER. 5 X 10. DEGASSING HOSE	2	9198055
18	CLIP. DEGASSING PIPE. ENGINE AND HEADER TANK	7	9198152
-	CLAMP. HOSE. HEADER TANK HOSE TO DEGASSING PIPE (TWIN)	1	9197677

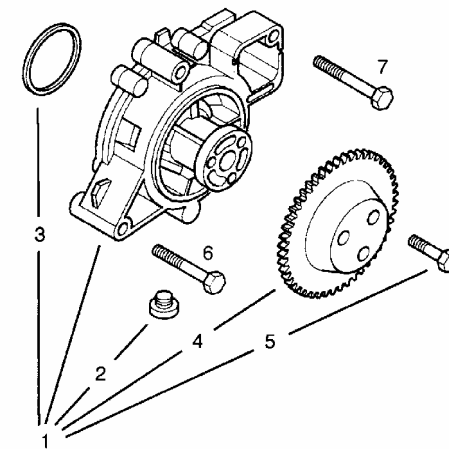
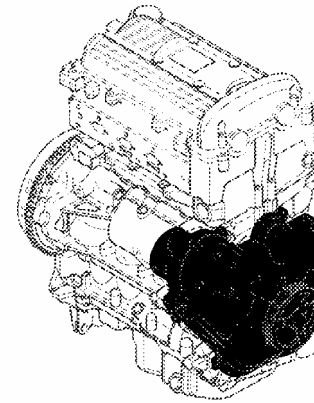


19	HOSE. COOLANT. THERMOSTAT TO OIL COOLER. RETURN FLOW	1	9198167
20	HOSE. COOLANT. OIL COOLER PIPE. RETURN FLOW	1	9198168
-	CONNECTOR. HEADER TANK HOSE	1	90537387
-	SEAL. COOLANT PIPE TO SIDEMEMBER. REAR	2	9197748
-	CLAMP. HOSE. 25-40	7	9198125
-	CLAMP. HOSE. 8-16	2	9198134
21	GROMMET. COOLANT PIPE TO SIDEMEMBER	2	9198133
22	GROMMET. COOLANT PIPES THROUGH BULKHEAD	2	9198148



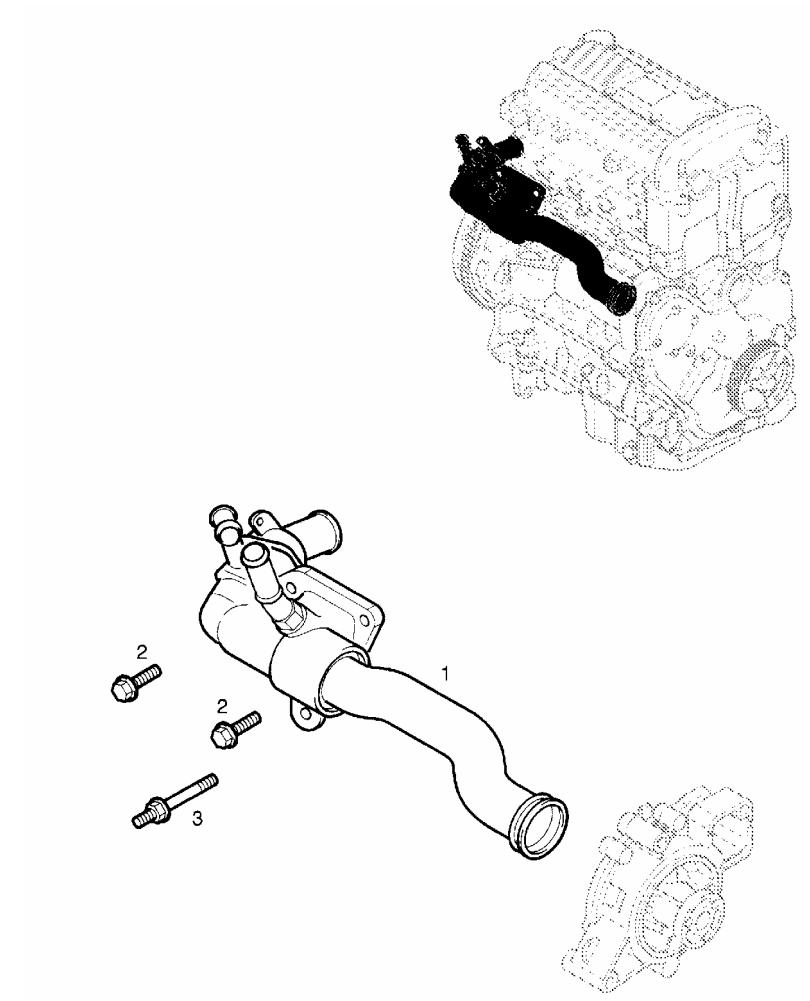
F1

F2 Ref	Part Description	Qty	Part No
WATER PUMP AND FITTINGS			
1	PUMP. ASSY.. WATER	1	9194747
2	-PLUG. SCREW. WATER PUMP	1	90537623
3	-GASKET. WATER PUMP TO CYLINDER BLOCK	1	90537621
4	SPROCKET. WATER PUMP	1	90537298
5	-SCREW. HEX.HD.. M6 X 13. SPROCKET TO WATER PUMP	3	11516422
6	SCREW. HEX.HD.. M8 X 65. WATER PUMP TO CYLINDER BLOCK	2	11516344
7	SCREW. HEX.HD.. M8 X 95. WATER PUMP TO CYLINDER BLOCK	2	11516987



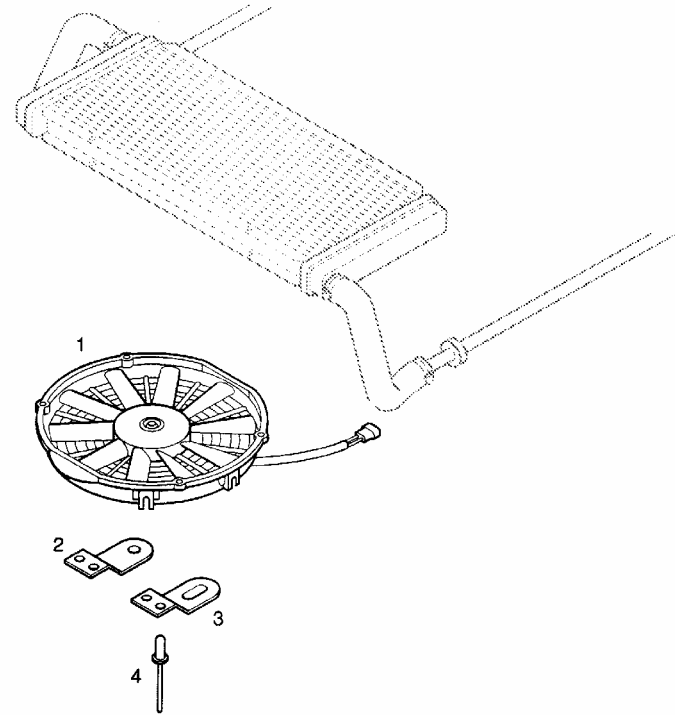
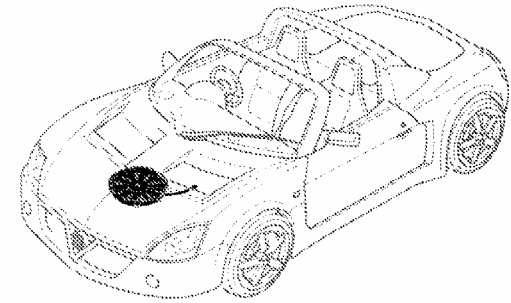
F2

F3 Ref	Part Description	Qty	Part No
THERMOSTAT. HOUSING AND WATER OUTLET			
1	THERMOSTAT. AND FLANGE. ASSY.	1	24409069
2	SCREW. HEX.HD.. M6 X 25. THERMOSTAT HOUSING TO CYLINDER BLOCK	2	11516424
3	STUD. THERMOSTAT HOUSING TO CYLINDER HEAD	1	90537723



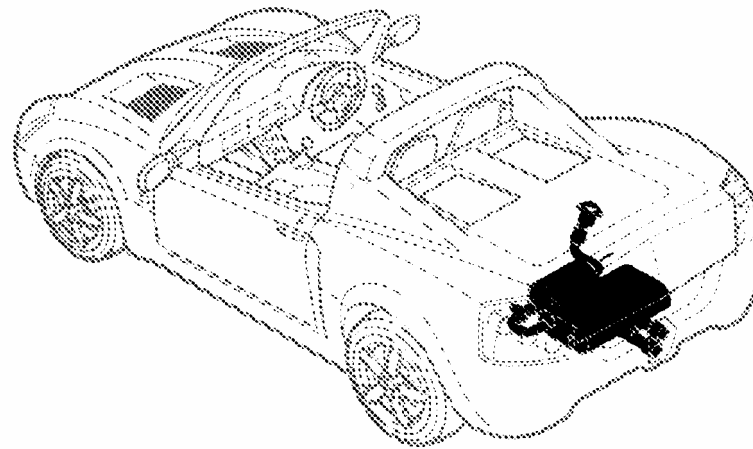
F3

F4 Ref	Part Description	Qty	Part No
FAN AND DRIVE			
1	FAN. RADIATOR COOLING	1	9198145
2	BRACKET. RADIATOR FAN AND MOTOR(FIXED)	4	9198139
3	BRACKET. RADIATOR FAN AND MOTOR (ADJUSTABLE)	4	9198146
4	RIVET. BLIND. RADIATOR FAN BRACKET	8	9197745

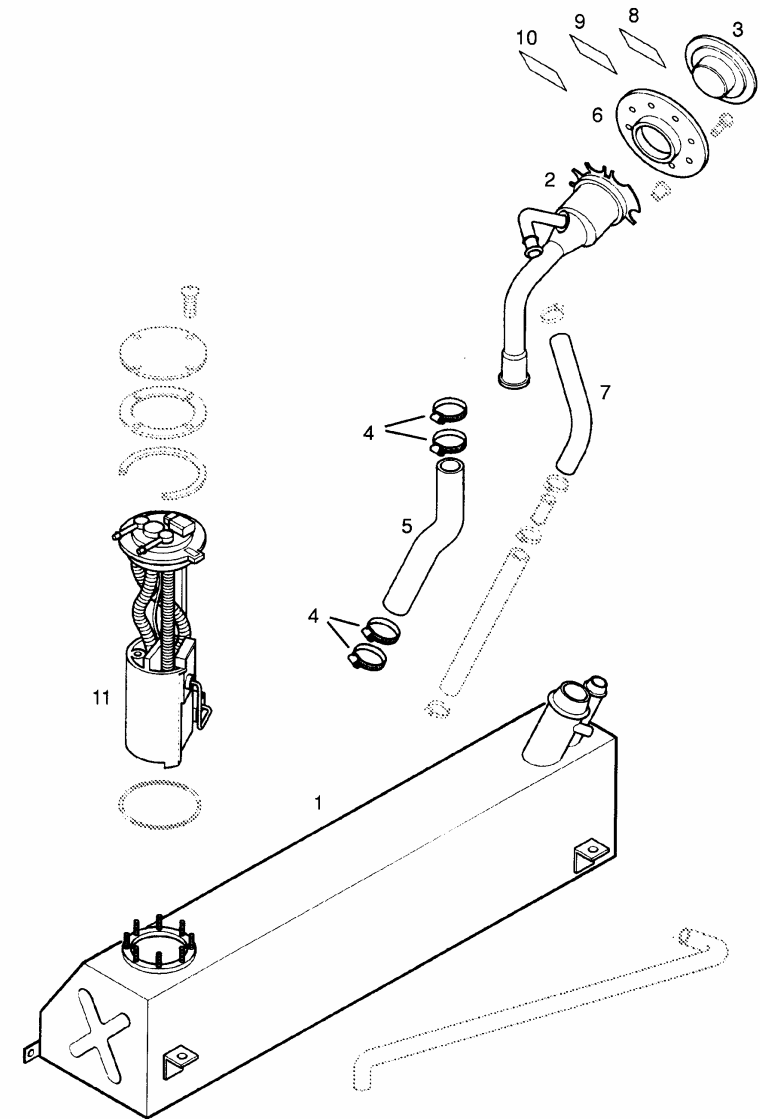


F4

FUEL AND EXHAUST

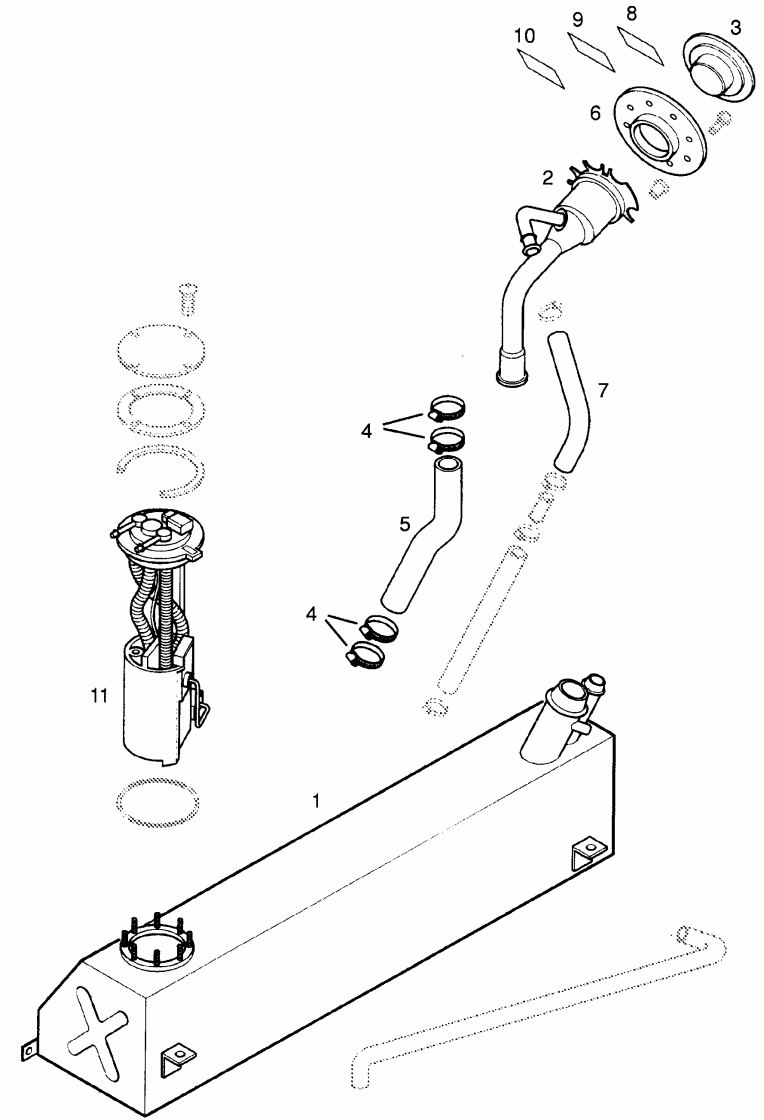


G1 Ref	Part Description	Qty	Part No
	FUEL TANK		
1	TANK. ASSY.. FUEL	1	9198042
2	NECK. ASSY.. FUEL FILLER	1	9198028
3	CAP. FUEL FILLER	1	9198026
-	BARREL AND KEYS. FUEL FILLER CAP. UNSPECIFIED LOCK	1	90167273
-	BARREL AND KEY. FUEL FILLER CAP. SPECIFIED LOCK (EXCEPT VAUXHALL)	1	90167279
4	CLAMP. 50-70. FUEL FILLER TUBE	4	9198022
-	CLAMP. FUEL FILLER TUBE	4	9197660
5	HOSE. FUEL FILLER	1	9198030
6	RING. FUEL FILLER	1	9198027
7	HOSE. VENTILATION. FUEL FILLER	1	9198031
-	HOSE. VENTILATION	AR	9198144
-	STRAP. RETAINING. VENTILATION HOSE	2	9198135
-	CLIP. VENTILATION HOSE	2	9198136
-	SHIELD. HEAT. FUEL FILLER NECK	1	9197184
8	LABEL. TANK FILLING INFORMATION. FUEL FILLER LOCK (BLACK)	1	9197739
9	LABEL. TANK FILLING INFORMATION. FUEL FILLER LOCK (WHITE)	1	9197740
10	LABEL. UNLEADED. TANK FILLING INFORMATION	1	9197742
	FUEL TANK MOUNTINGS		
-	PANEL. ACCESS. FUEL TANK	1	9198023



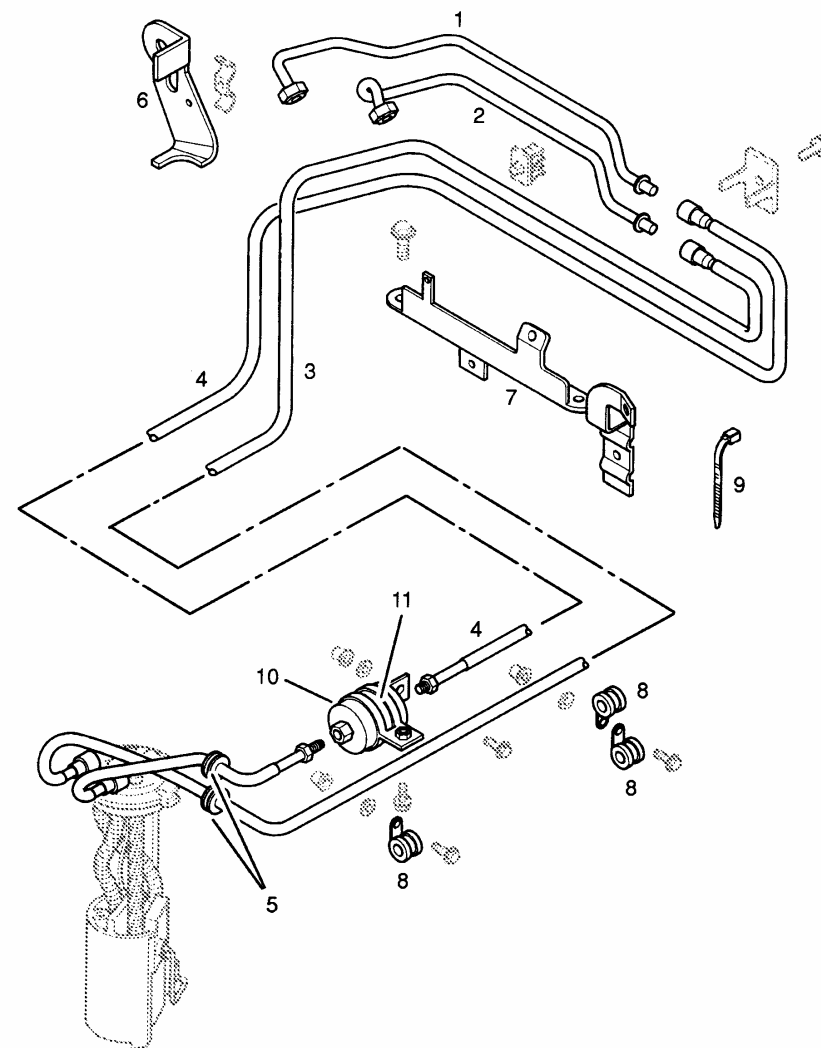
G1

-	'O'RING. 90MM. FUEL TANK ACCESS PANEL	1	9198024
-	SCREW. RD.HD.. M5 X 12. ACCESS PANEL TO FUEL TANK	4	9198025
-	MOUNTING. ASSY.. FRONT. RH	1	9198035
-	MOUNTING. ASSY.. FRONT. LH	1	9198036
-	SCREW. HEX.HD.. M8 X 25. FUEL TANK MOUNTING	4	9198017
-	WASHER. M8 X 16.6. FUEL TANK MOUNTING	4	9198224
-	WASHER. SPRING. M8. FUEL TANK MOUNTING	4	9198227
	FUEL PUMP		
11	PUMP. ASSY.. FUEL. ELECTRICAL (WITH SENDER)	1	9198046



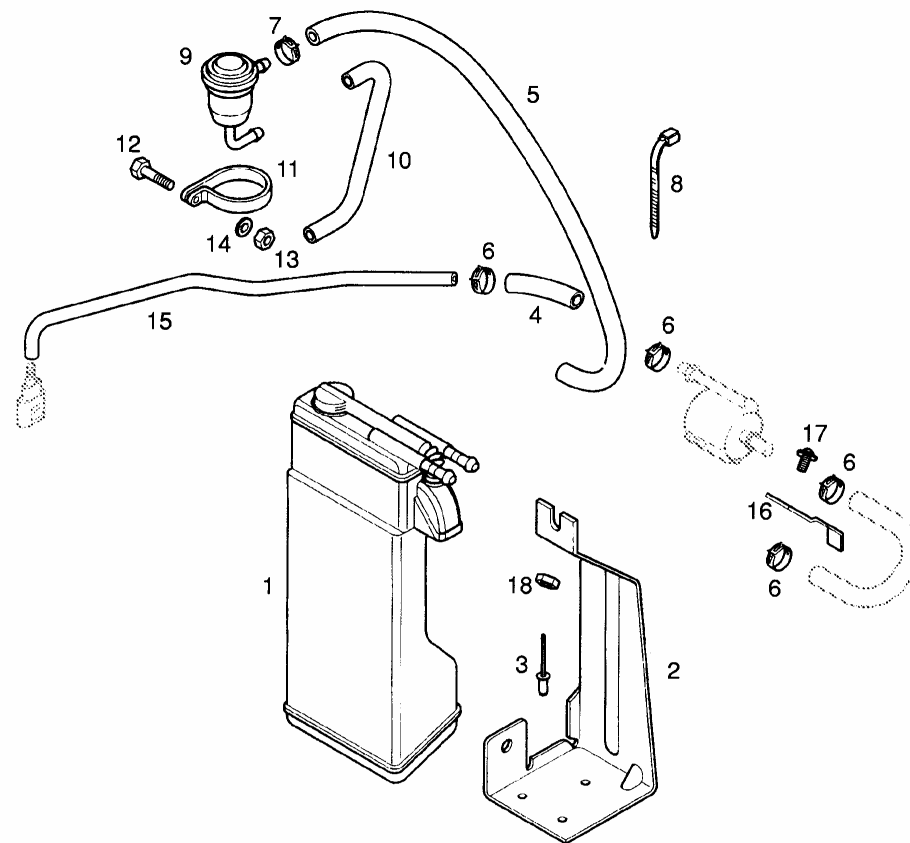
G1

G2 Ref	Part Description	Qty	Part No
FUEL PIPES AND FITTINGS			
1	PIPE. ASSY.. FUEL FEED	1	9198049
2	PIPE. ASSY.. FUEL RETURN	1	9198050
3	PIPE. FUEL. PUMP TO FILTER	1	9198051
4	PIPE. FEED. FILTER TO ENGINE	1	9198053
5	GROMMET. FUEL PIPE. FEED AND RETURN FLOW	2	9198043
6	BRACKET. FUEL PIPE. FEED AND RETURN FLOW	1	24577012
7	PLATE. MOUNTING. FUEL PIPE TO CYLINDER HEAD. FEED AND RETURN FLOW	1	9198052
8	'P'CLIP. FUEL PIPE. FEED AND RETURN FLOW	6	9198001
9	STRAP. RETAINING. FUEL HOSE	1	24577318
-	SCREW. HEX.HD.. M6 X 12. FUEL PIPE CLAMP	AR	9197528
-	SCREW. HEX.HD.. M6 X 20. FUEL PIPE CLAMP	AR	9198127
-	CLIP. FUEL PIPE	4	9197759 N
-	NUT. FUEL PIPE	4	9197806 N
-	SPACER. FUEL PIPE	4	9198115 N
FUEL FILTER			
10	FILTER. FUEL	1	9198066
11	BRACKET. FUEL FILTER	1	90234754
-	SCREW. HEX.HD.. M6 X 18. FUEL FILTER BRACKET CLIP. FUEL FILTER	1	9198006
-	CLIP. FUEL FILTER	1	9197681 N
-	ELBOW. FUEL FILTER	1	9197678 N



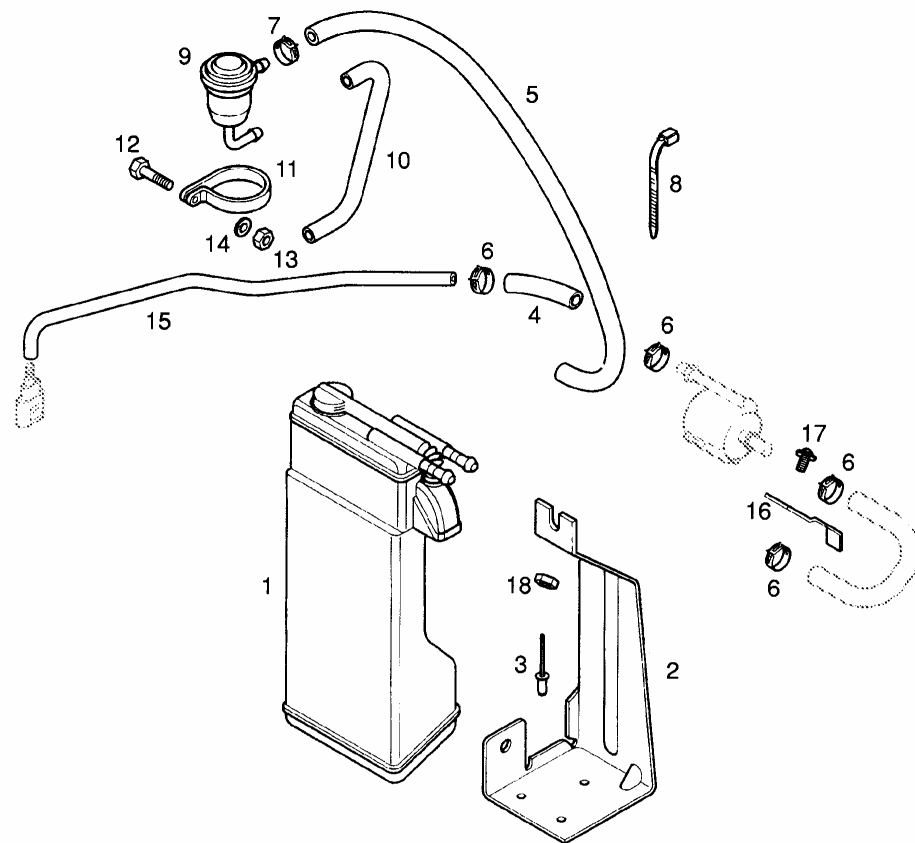
G2

G3 Ref	Part Description	Qty	Part No
FUEL EVAPORATION TANK			
1	TANK. FUEL EVAPORATION	1	9129085
2	BRACKET. ASSY.. FUEL EVAPORATION TANK	1	9198059
3	RIVET. BRACKET. FUEL EVAPORATION TANK	3	9198063
-	NUT. HEX.. SELF LOCKING. M5. BRACKET. FUEL EVAPORATION TANK	1	9197654
-	SCREW. HEX.HD.. M6 X 16. EVAPORATION TANK	AR	9198126
-	NUT. HEX.. SELF LOCKING. M6. FUEL EVAPORATION TANK	AR	9198151
-	WASHER. 6 X 15. EVAPORATION TANK	AR	9198128
4	ADAPTER. 4-6MM. FUEL EVAPORATION TANK TO FUEL FILLER NECK	1	9198069
5	HOSE. FUEL EVAPORATION TANK TO ROLL OVER VALVE	1	9198071
5	HOSE. VENTILATION. FUEL EVAPORATION TANK TO ROLL OVER VALVE	1	9198078
6	CLAMP. HOSE FUEL EVAPORATION	5	9198057
7	CLAMP. HOSE. 9MM. FUEL EVAPORATION PIPE TO VALVE	1	9198067
8	STRAP. RETAINING. 275MM. FUEL EVAPORATION TANK HOSE	4	9198201
9	VALVE ASSY.. ROLL OVER	1	9198060
10	HOSE. 4MM. ROLL OVER VALVE TO FILLER NECK	1	9198058
10	HOSE. 6MM. ROLL OVER VALVE TO FILLER NECK	1	9198065



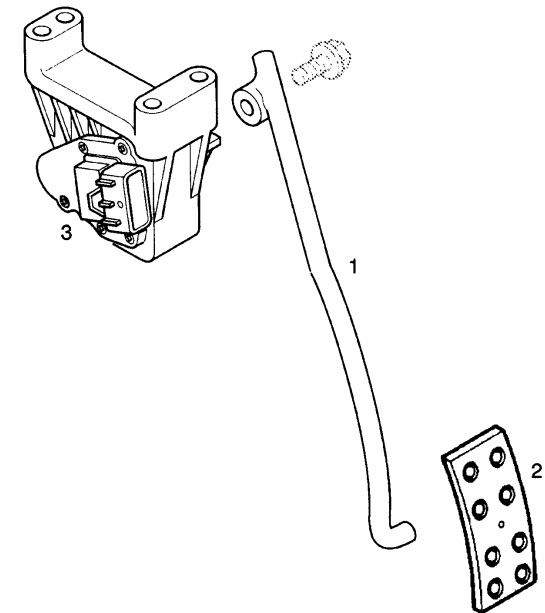
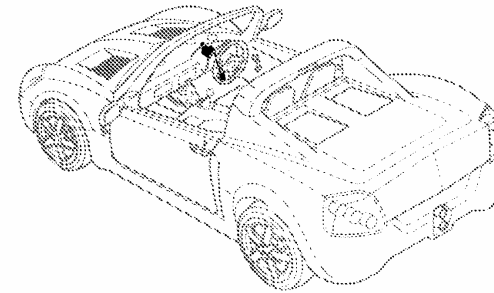
G3

11	BRACKET. ROLL OVER VALVE	1	9198061
12	SCREW. HEX.HD.. M5 X 16. ROLL OVER VALVE	1	9198056
13	NUT. HEX.. SELF LOCKING. M5. ROLL OVER VALVE	1	9198054
14	WASHER. 10 X 5 X 0.8. ROLL OVER VALVE	1	9198055
15	PIPE. FUEL EVAPORATION VALVE TO INDUCTION MANIFOLD	1	9198079
16	BRACKET. FUEL EVAPORATION VALVE	1	9198077
17	SCREW. FUEL EVAPORATION VALVE	1	9198062
18	NUT. FUEL EVAPORATION VALVE	1	9198064
-	CLIP. HOSE. FUEL EVAPORATION VALVE	1	9197807
-	CLAMP. HOSE. 25-40. FUEL EVAPORATION HOSE	1	9198125



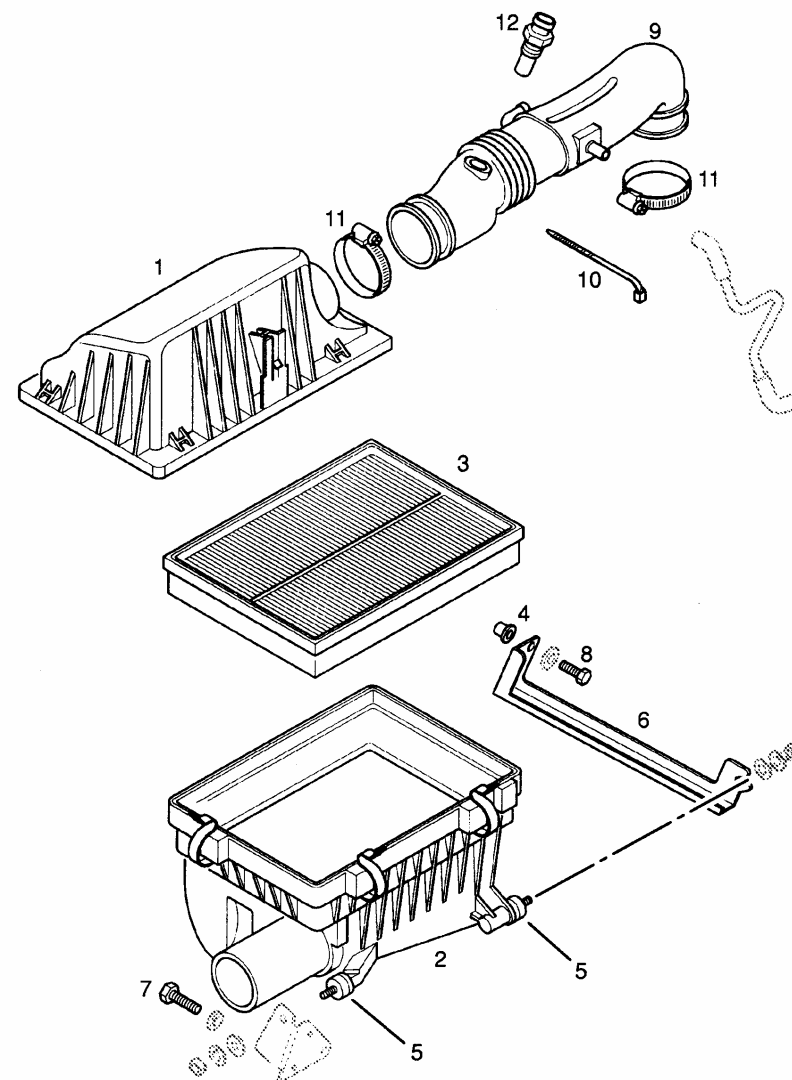
G3

G4 Ref	Part Description	Qty	Part No
ACCELERATOR PEDAL			
1	PEDAL. ASSY.. ACCELERATOR (IDENT BK)	1	9193186
-	-ARM. ACCELERATOR PEDAL	1	9197389
2	PAD. ACCELERATOR PEDAL	1	9197390
3	HOUSING. THROTTLE	1	9197387
-	WASHER. ACCELERATOR CONTROL CABLE	1	9198116



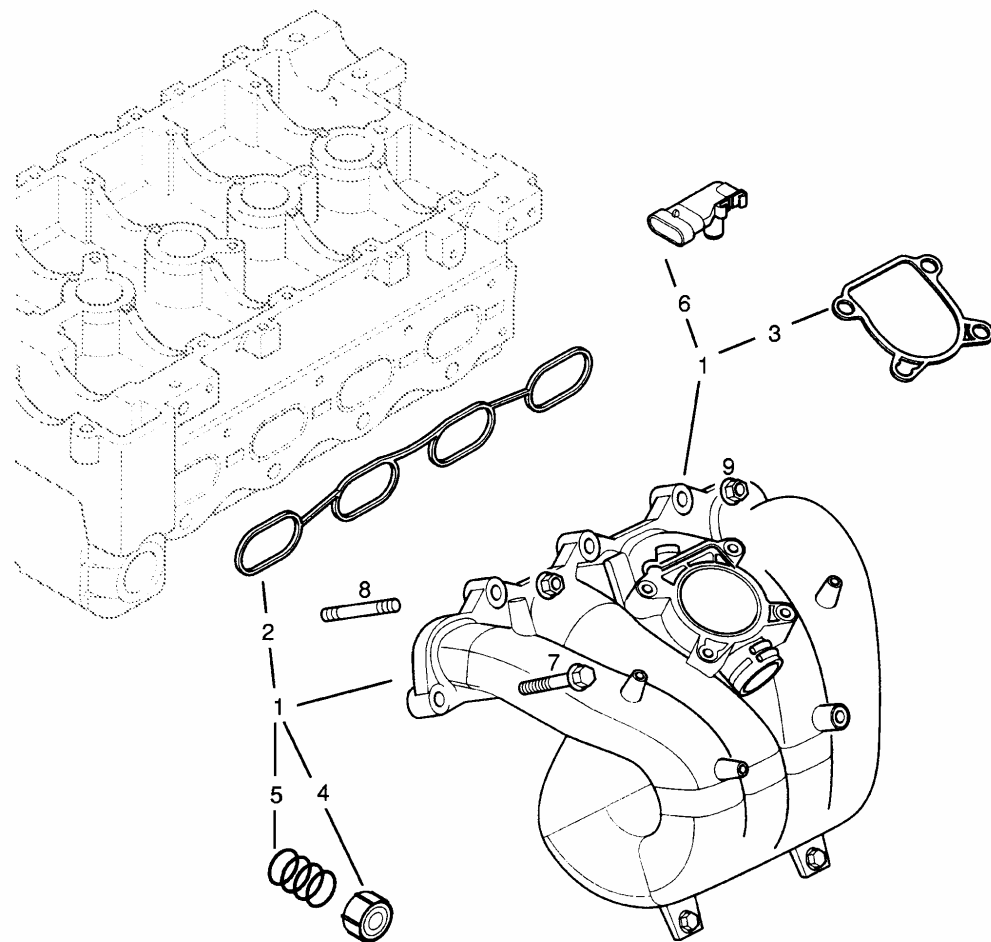
G4

G5 Ref	Part Description	Qty	Part No
AIR CLEANER			
1	COVER. ASSY.. AIR CLEANER. UPPER	1	90512470
2	COVER. ASSY.. AIR CLEANER. LOWER	1	90512475
3	ELEMENT. AIR CLEANER (OPEL)	1	90512446
3	ELEMENT. AIR CLEANER (VAUXHALL)	1	90512447
-	ADAPTER. AIR CLEANER	1	9198075
4	BUMPER. AIR CLEANER	1	24420111
5	BUMPER. AIR CLEANER	2	90501282
6	BRACKET. AIR CLEANER	1	9197457
7	SCREW. HEX.HD.. AIR CLEANER BRACKET	4	9197462
8	SCREW. HEX.HD.. AIR CLEANER BRACKET TO BULKHEAD	4	9197463
9	HOSE. AIR INTAKE. AIR CLEANER	1	9198076
10	STRAP. RETAINING. ADAPTER TO AIR CLEANER HOSE	1	9198135
11	CLAMP. HOSE. 60-80. ELBOW HOSE TO AIR CLEANER AND THROTTLE VALVE BODY	1	11088331
12	SENSOR. TEMPERATURE. AIR	1	12160244



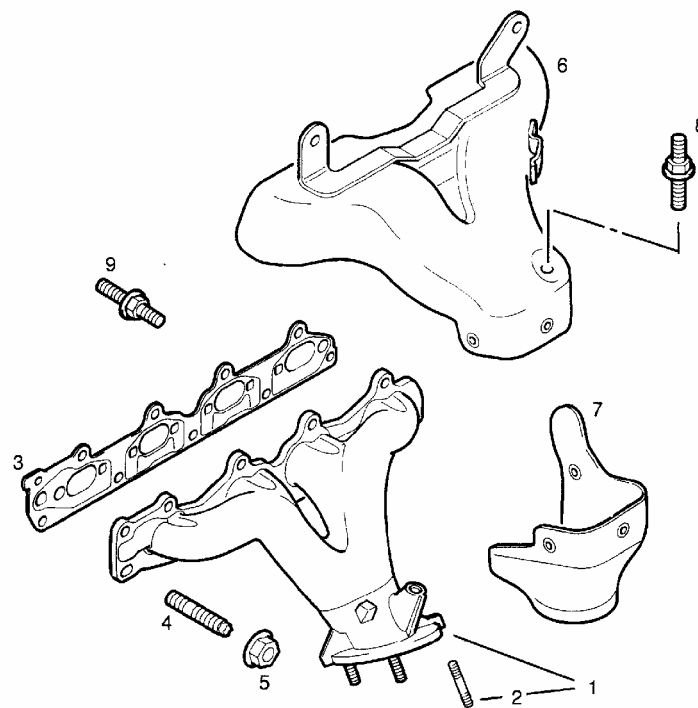
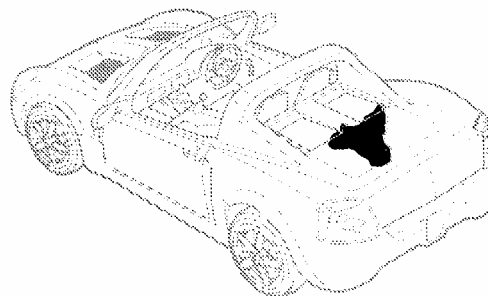
G5

G6 Ref	Part Description	Qty	Part No
INDUCTION MANIFOLD			
1	MANIFOLD. INDUCTION	1	24426075
2	GASKET SET. MANIFOLD TO CYLINDER HEAD	1	9194750
3	GASKET. THROTTLE VALVE BODY TO INDUCTION MANIFOLD	1	90537818
4	-VALVE. FUEL PRESSURE RELIEF	1	12559532
5	-SPRING. VALVE	1	12559534
6	-SENSOR. VACUUM. INLET MANIFOLD	1	16212460
7	SCREW. HEX.HD.. M6 X 35. INDUCTION MANIFOLD TO CYLINDER HEAD	5	11516426
8	STUD. INDUCTION MANIFOLD TO CYLINDER HEAD	2	90537426
9	NUT. HEX.. M6. INDUCTION MANIFOLD TO CYLINDER HEAD	2	11514516



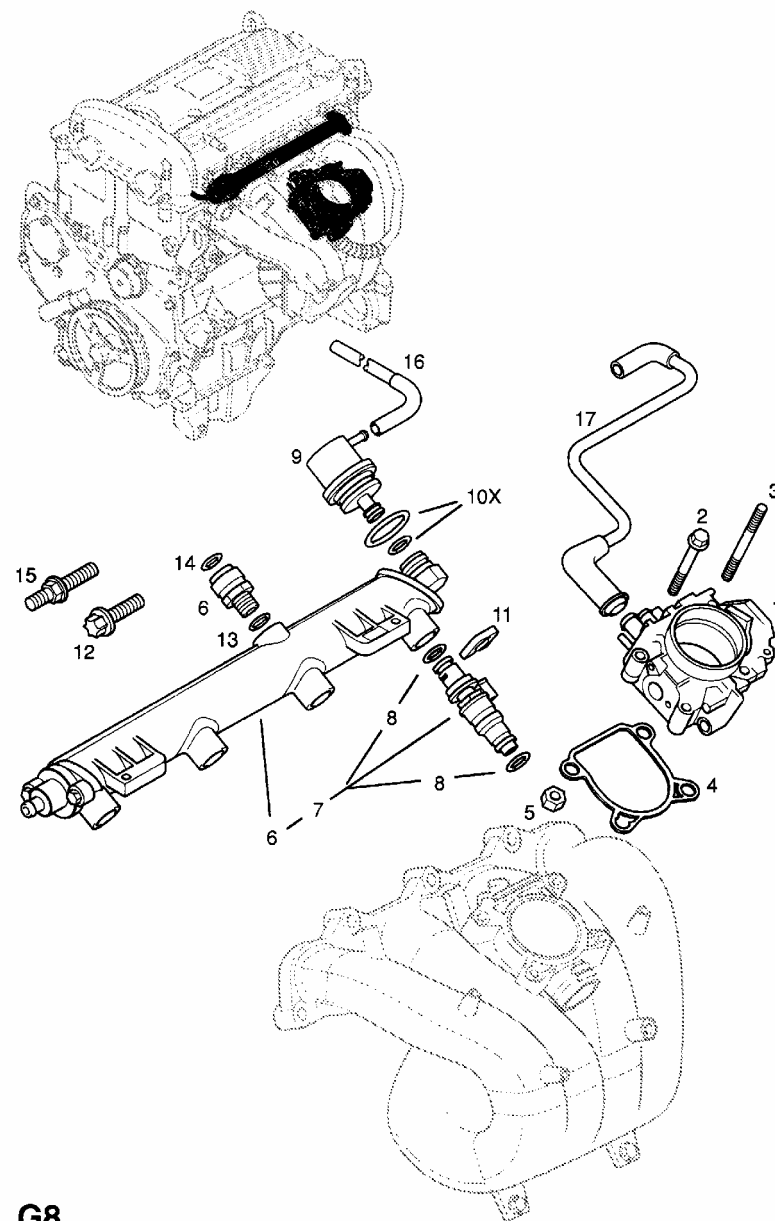
G6

G7 Ref	Part Description	Qty	Part No
EXHAUST MANIFOLD			
1	MANIFOLD. EXHAUST	1	24438033
2	-STUD. EXHAUST PIPE TO MANIFOLD	3	11100462
3	GASKET. EXHAUST MANIFOLD TO CYLINDER HEAD	1	9194750
4	STUD. EXHAUST MANIFOLD TO CYLINDER HEAD	10	24418771
5	NUT. HEX.. SELF LOCKING. M8. EXHAUST MANIFOLD TO CYLINDER HEAD	10	11516076
6	SHIELD. HEAT. EXHAUST MANIFOLD. UPPER	1	24421237
7	SHIELD. HEAT. EXHAUST MANIFOLD. LOWER	1	24421236
8	STUD. M8. HEAT SHIELD TO EXHAUST MANIFOLD	1	90537768
9	STUD. M8. HEAT SHIELD TO CYLINDER HEAD	2	90537768



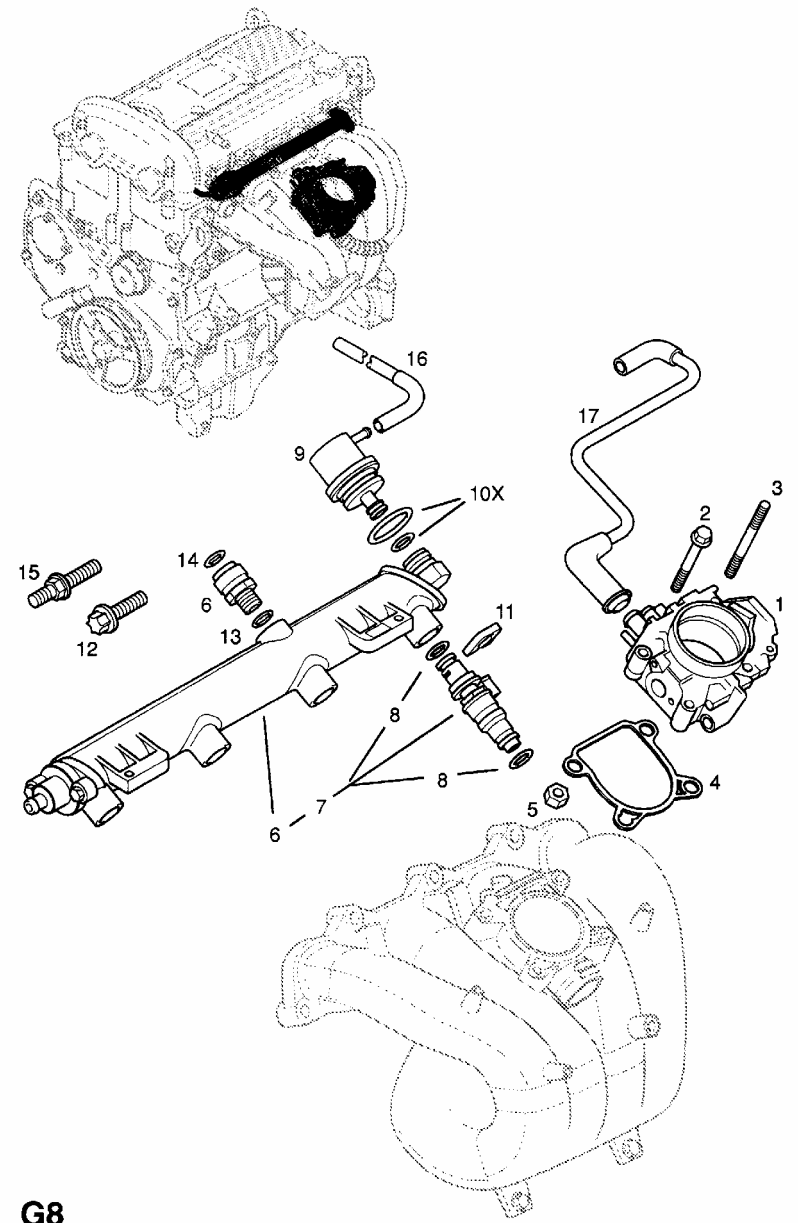
G7

G8 Ref	Part Description	Qty	Part No
THROTTLE VALVE BODY			
1	BODY. ASSY.. THROTTLE VALVE	1	9194751
2	SCREW. HEX.HD.. M6 X 40. THROTTLE VALVE BODY TO INDUCTION MANIFOLD	3	11516427
3	STUD. THROTTLE VALVE BODY TO INDUCTION MANIFOLD	1	90537759
4	GASKET. THROTTLE VALVE BODY TO INDUCTION MANIFOLD	1	90537818
5	NUT. HEX.. M6. THROTTLE VALVE BODY TO INDUCTION MANIFOLD	2	11514516
FUEL INJECTION DISTRIBUTION			
6	INJECTOR. REGULATOR AND DISTRIBUTOR. ASSY.. FUEL (TONEWANDA)	1	12565552
7	-INJECTOR. ASSY.. FUEL	4	12565474
8	--SEAL. RING. FUEL INJECTOR	2	12563420
9	REGULATOR. PRESSURE. FUEL INJECTION. WITH SEAL	1	9198977
10	--SEAL. RING. FUEL INJECTION PRESSURE REGULATOR (SET)	1	9198978
11	-CLAMP. SPRING. FUEL INJECTOR TO FUEL INJECTOR DISTRIBUTOR	4	12563429
12	-SCREW. M5 X 18.5. PRESSURE REGULATOR TO DISTRIBUTOR	2	12563432
13	-SEAL. RING. INLET. FUEL INJECTOR DISTRIBUTOR	1	12563443
14	-SEAL. RING. INLET. FUEL INJECTOR DISTRIBUTOR	1	12563444
-	-SEAL. RING. OUTLET. FUEL INJECTOR DISTRIBUTOR	1	12563442

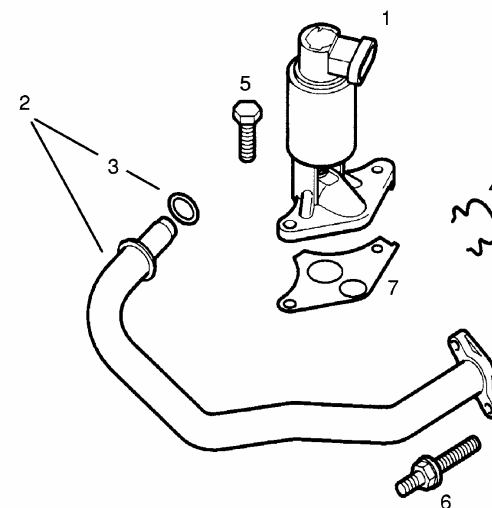
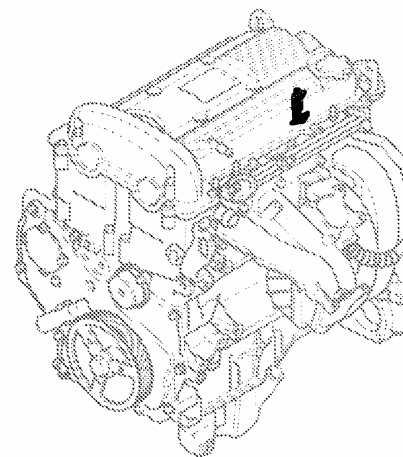


G8

15	STUD. FUEL INJECTION UNIT TO CYLINDER HEAD	2	90537463
16	PIPE. ASSY.. FUEL INJECTION PRESSURE REGULATOR	1	9198068
17	PIPE. VACUUM. FUEL INJECTION PRESSURE REGULATOR	1	12564135

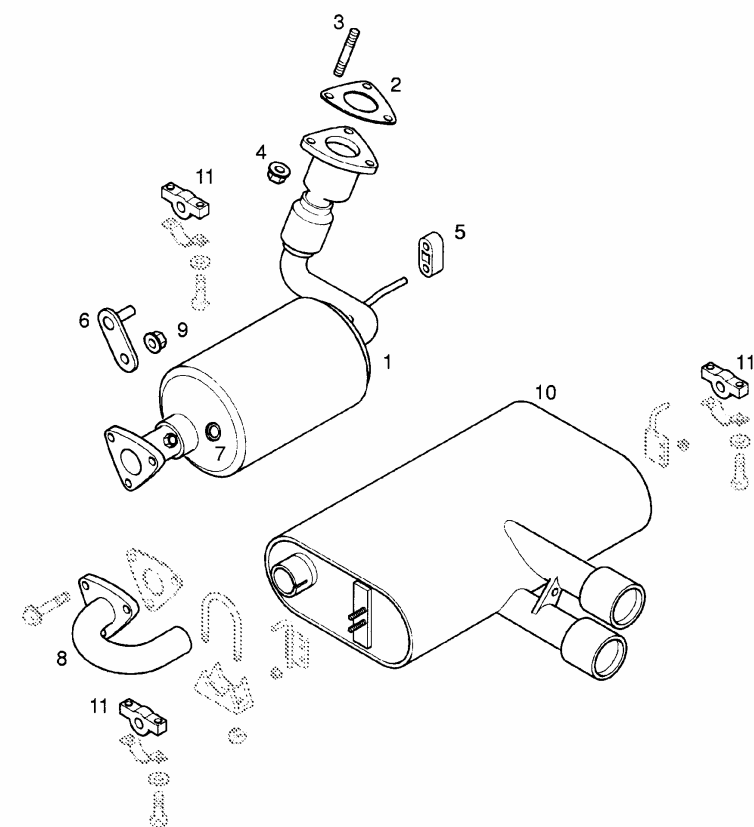
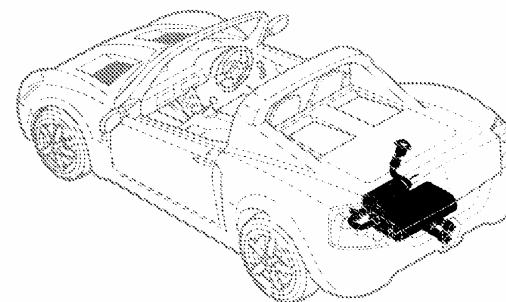


G9 Ref	Part Description	Qty	Part No
EXHAUST GAS RECIRCULATION			
1	VALVE. ASSY.. EXHAUST GAS RECIRCULATION	1	12565517
2	PIPE. EXHAUST GAS RECIRCULATION	1	24426687
3	SEAL. EXHAUST GAS RECIRCULATION PIPE TO INDUCTION MANIFOLD	1	90537420
4	BRACKET. EXHAUST GAS RECIRCULATION PIPE TO INDUCTION MANIFOLD	1	90537421
5	SCREW. HEX.HD.. M8 X 20. EXHAUST GAS RECIRCULATION VALVE TO CYLINDER HEAD	2	11518047
6	STUD. EXHAUST GAS RECIRCULATION VALVE TO CYLINDER HEAD	2	24404066
7	GASKET. EXHAUST GAS RECIRCULATION VALVE TO CYLINDER HEAD	1	12567327



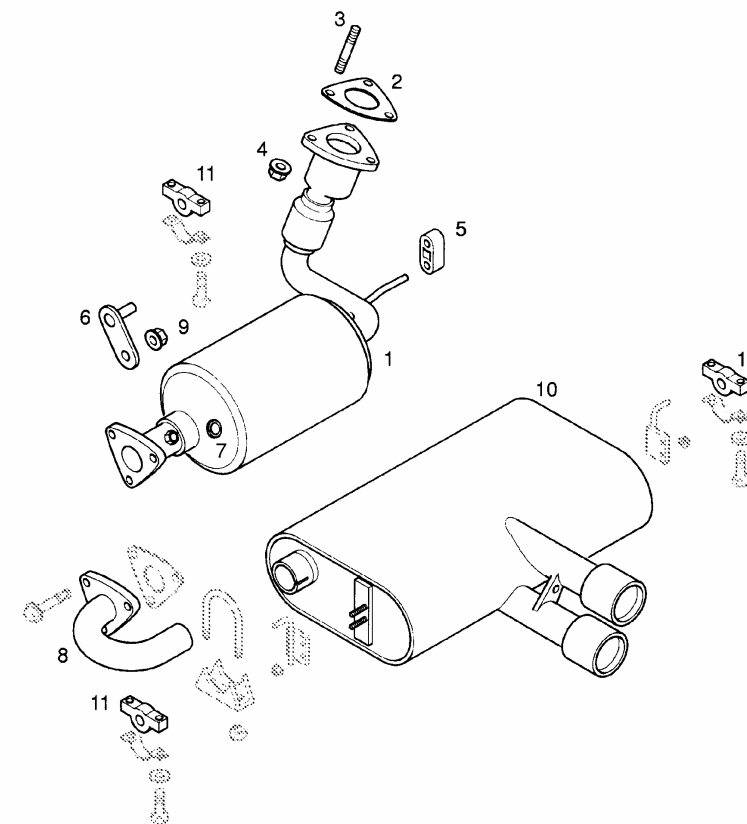
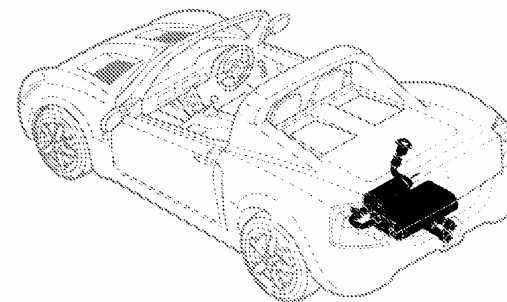
G9

G10 Ref	Part Description	Qty	Part No
EXHAUST PIPE, SILENCER AND CATALYTIC CONVERTER			
1	PIPE. EXHAUST. FRONT(WITH CATALYST)	1	9198100
2	GASKET. FRONT EXHAUST PIPE TO MANIFOLD	1	9198091
3	STUD. FRONT EXHAUST PIPE TO MANIFOLD	3	11100462
4	NUT. HEX.. M10. EXHAUST PIPE TO MANIFOLD	3	90570845
5	RING. DAMPER. EXHAUST PIPE SUSPENSION. FRONT	1	90466668
6	BRACKET. SUPPORT. FRONT PIPE	1	9198090
-	MOUNTING. RUBBER. FRONT EXHAUST PIPE	1	9198089
-	SENSOR. OXYGEN. CATALYTIC CONVERTER	1	12565428
7	SEAL. RING. M18 X 1.5. CATALYTIC CONVERTOR SENSOR TO FRONT EXHAUST PIPE	2	90231066
-	NUT. HEX.. SELF LOCKING. M6. CATALYTIC CONVERTER	2	9198151
8	PIPE. EXHAUST. INTERMEDIATE	1	9198105
9	NUT. M10. INTERMEDIATE EXHAUST PIPE TO FRONT PIPE	3	9198086
-	SHIELD. HEAT. INTERMEDIATE PIPE	1	9197825
10	SILENCER. ASSY.. REAR AND TAIL PIPE	1	9198101
-	STRAP. RETAINING. SILENCER. REAR	1	9198098
-	SCREW. HEX.HD.. M8 X 20. SILENCER BRACKET. CENTRE	1	9198107
-	WASHER. SPRING. 8MM ID.. SILENCER BRACKET. CENTRE	1	9198227



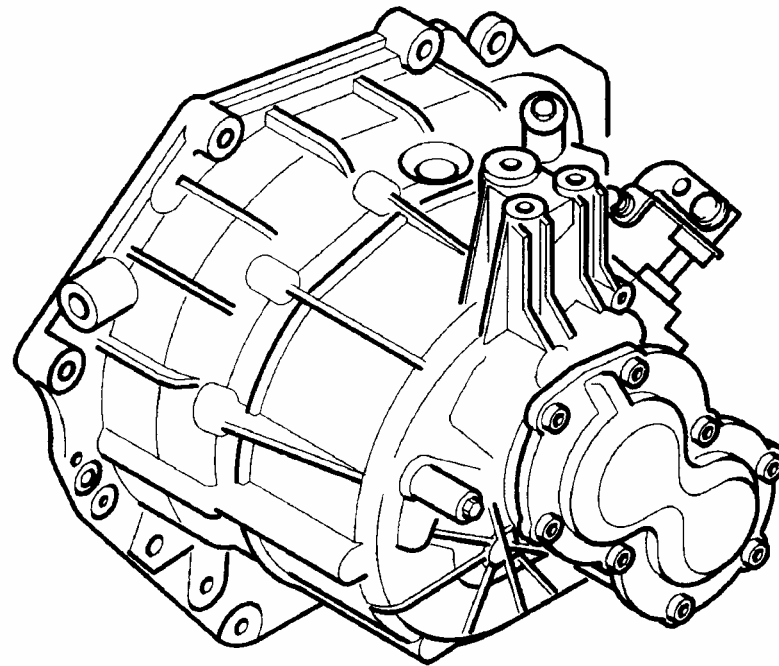
G10

-	WASHER. M8 X 16.6. TAIL PIPE SUPPORT BRACKET	1	9198224
-	WASHER. SPRING. 8MM ID.. TAIL PIPE SUPPORT BRACKET	1	9198227
11	RING. DAMPER. EXHAUST PIPE SUSPENSION	3	9198085
-	CLIP. EXHAUST MOUNTING	3	9198206
-	SHIELD. HEAT. REAR SILENCER	1	9197824
-	SCREW. HEX.HD.. M6 X 35. EXHAUST MOUNTING	6	9197663
-	SCREW. HEX.HD.. M6 X 12. HEAT SHIELD	4	9197528
-	WASHER. 6 X 15. HEAT SHIELD	4	9198128
-	CLIP. HEAT SHIELD	7	9197694
-	LABEL. EMISSION	1	9197741

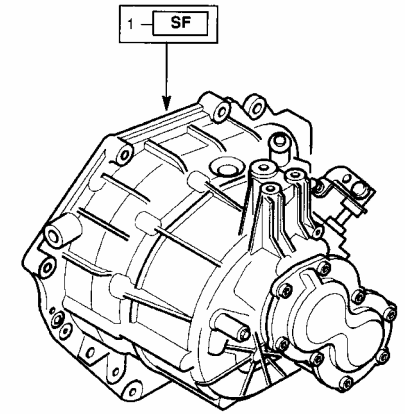


G10

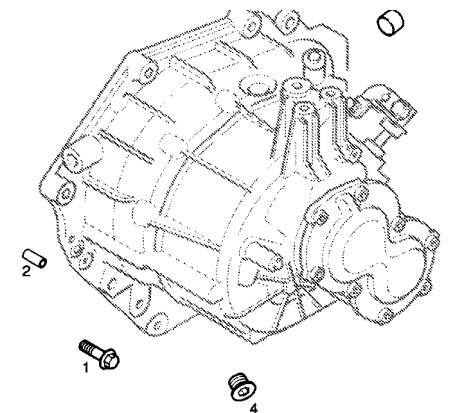
TRANSMISSION



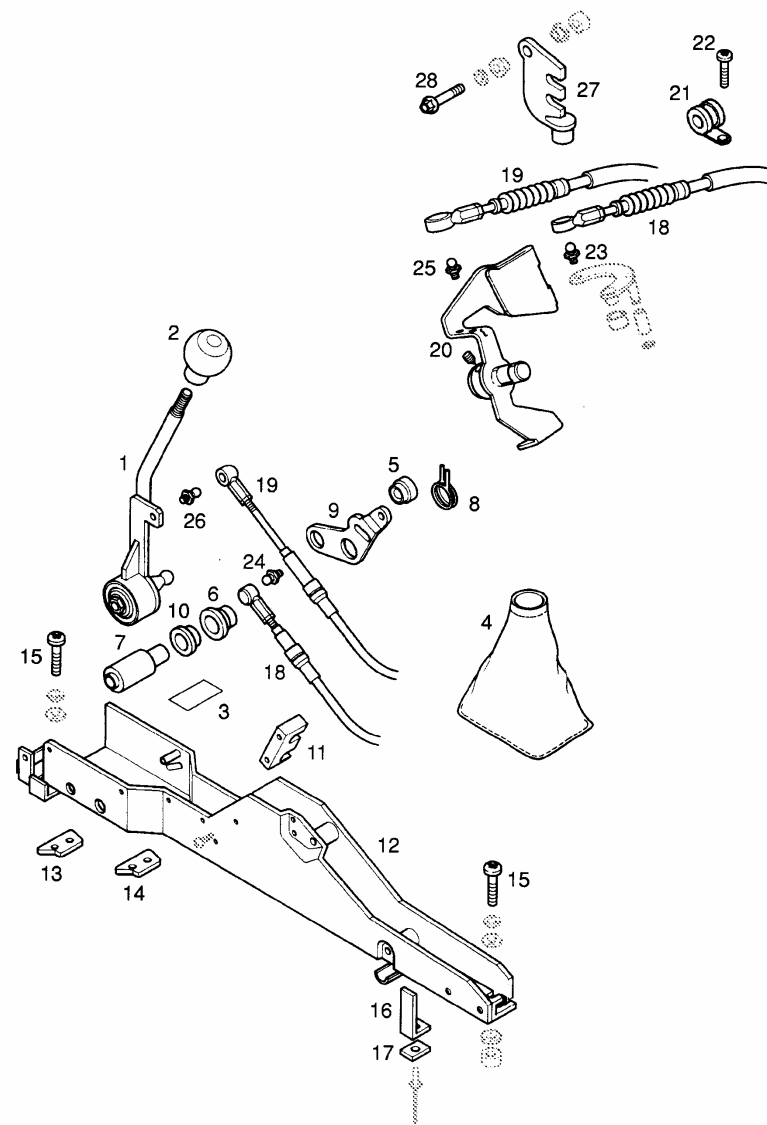
H1 Ref	Part Description	Qty	Part No
TRANSMISSION ASSEMBLY			
1	TRANSMISSION. ASSY.. 3.95 RATIO (IDENT TN)	1	24445132
MAINSHAFT GEARS			
	- KIT. REPAIR. SYNCHRONIZER RING. FIRST AND SECOND GEARS	1	9201451
	- KIT. REPAIR. SYNCHRONIZER RING. THIRD AND FOURTH GEARS	1	9201452
	- KIT. REPAIR. SYNCHRONIZER RING. FIFTH GEAR	1	9201453
1	SCREW,HEX.HD.,M12 X 55, TRANSMISSION TO CYLINDER BLOCK	6	11100691
1	SCREW,HEX.HD.,M12 X 45, TRANSMISSION TO CYLINDER BLOCK	1	11055767
2	SLEEVE,TRANSMISSION TO CYLINDER BLOCK	2	90351708
3	CAP,22.4MM,FOR CLOSING SPEEDOMETER DRIVEN GEAR HOLE	1	90470781
4	PLUG,SCREW,M18 X 1.5, TRANSMISSION CASE OIL FILLER	1	90446270



H1



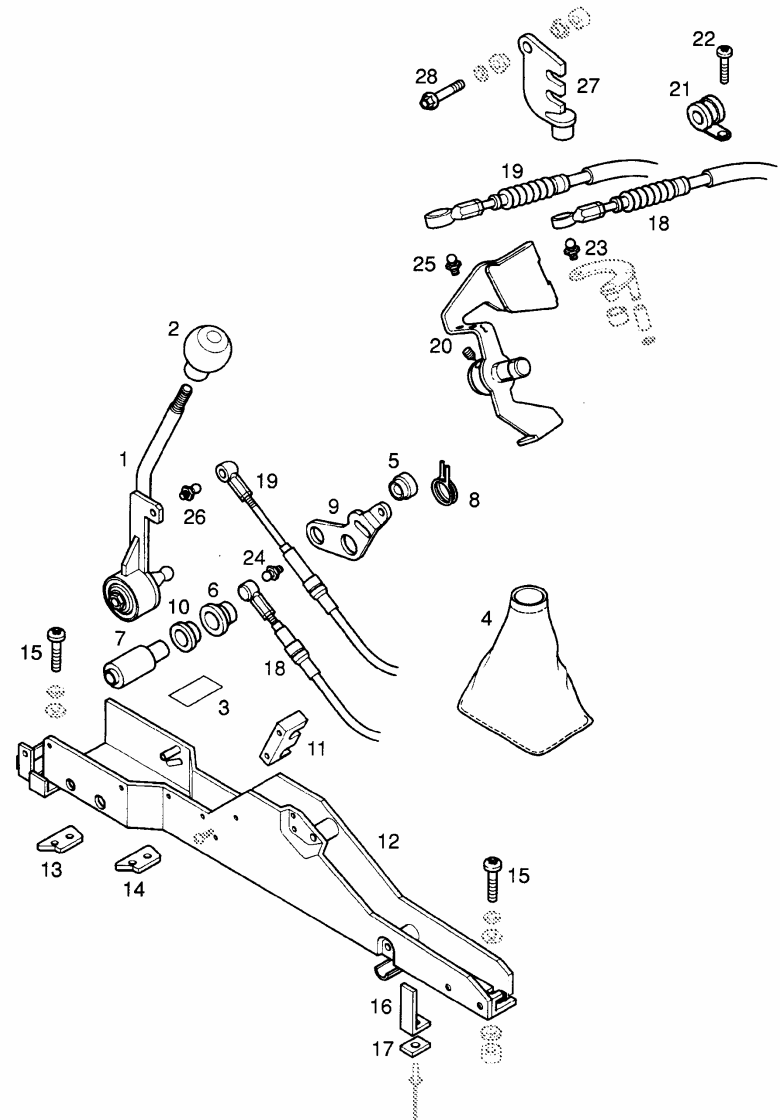
H3 Ref	Part Description	Qty	Part No
GEARSHIFT LEVER			
1	LEVER. ASSY.. GEARSHIFT	1	9198229
2	KNOB. GEARSHIFT LEVER. STANDARD	1	9198233
2	KNOB. GEARSHIFT LEVER. SPECIAL	1	9198234
3	LABEL. GEARSHIFT	1	9198241
-	ROD. GEARSHIFT	1	9198240
4	BOOT. GEARSHIFT LEVER. LEATHER	1	9197504
5	HOUSING. ASSY.. GEARSHIFT BALL JOINT	1	9198242
6	BUSH. BALL JOINT HOUSING	1	9198245
7	BEARING. GEARSHIFT LEVER SOCKET	1	9198246
8	SPRING. CENTERING. GEARSHIFT LEVER	1	9198247
-	SPACER. GEARSHIFT LEVER	1	9198262
9	LEVER. ASSY.. TRANSFER SHIFT	1	9198244
10	BUSH. FLANGED. TRANSFER LEVER	1	9198248
11	PLATE. MOUNTING. GEARSHIFT CABLES	1	9198243
12	FRAME. MOUNTING CHANNEL. GEARSHIFT LEVER	1	9197494
13	PLATE. MOUNTING CHANNEL. GEARSHIFT LEVER. SIDE	1	9198236
14	PLATE. MOUNTING CHANNEL. GEARSHIFT LEVER. BASE	1	9198236
15	SCREW. RD.HD.. GEARSHIFT LEVER MOUNTING CHANNEL	8	9198222
16	BRACKET. ASSY.. MOUNTING CHANNEL	1	9198235
17	SPACER. 10 X 20. MOUNTING BRACKET TO CHASSIS	3	9198232



H3

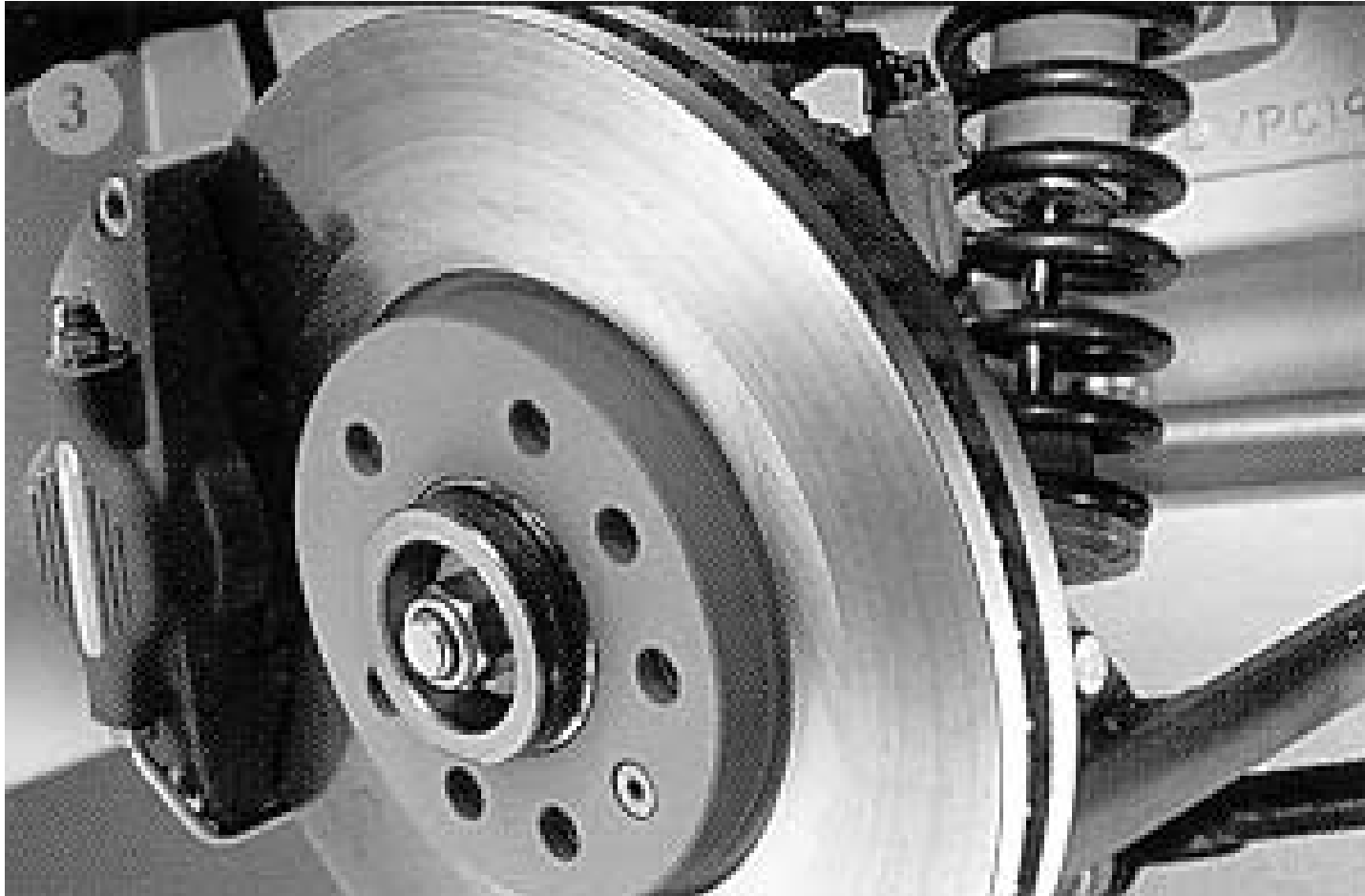
GEARSHIFT CABLE

18	CABLE. ASSY.. GEARSHIFT CONTROL	1	9198249
19	CABLE. ASSY.. GEAR SELECTOR CONTROL	1	9198252
20	BRACKET. GEAR SELECTOR CONTROL CABLE	1	9198218
21	'P'CLIP. GEAR SELECTOR CONTROL CABLE	2	9197744
22	SCREW. RD.HD.. M4 X 16. CLIP TO FUEL TANK PANEL	2	9197758
23	SOCKET. BALL JOINT. GEARSHIFT CONTROL CABLE TO TRANSMISSION	1	9198251
24	SOCKET. BALL JOINT. GEARSHIFT CONTROL CABLE TO LEVER	1	9198253
25	SOCKET. BALL JOINT. GEAR SELECTOR CONTROL CABLE TO TRANSMISSION	1	9198254
26	SOCKET. BALL JOINT. GEAR SELECTOR CONTROL CABLE TO LEVER	1	9198255
27	BRACKET. SUPPORT. GEARSHIFT CONTROL CABLE TO TRANSMISSION CASE	1	9198257
28	SCREW. TORX. CABLE SUPPORT BRACKET	1	9198258
-	BRACKET. GEARSHIFT CABLES	1	9197661
-	STRAP. RETAINING. GEARSHIFT CABLES	AR	9198230
-	SHIELD. HEAT. GEARSHIFT CONTROL CABLE	1	9198250
-	SHIELD. HEAT. GEAR SELECTOR CABLE	1	9198256

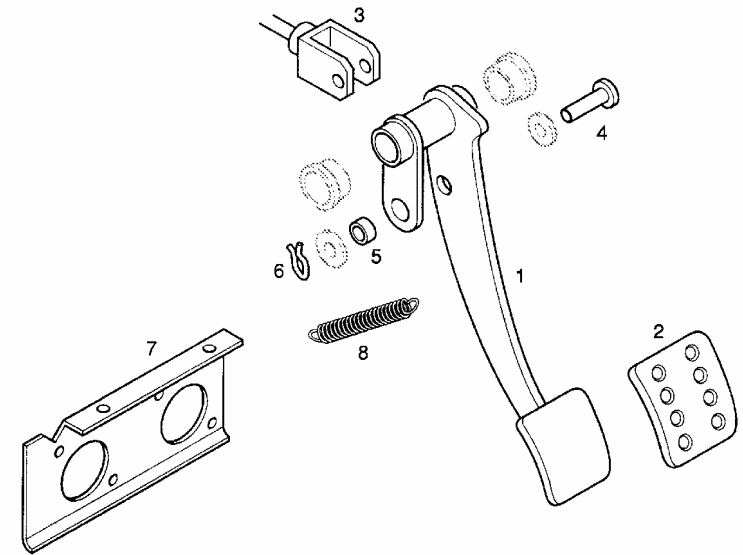
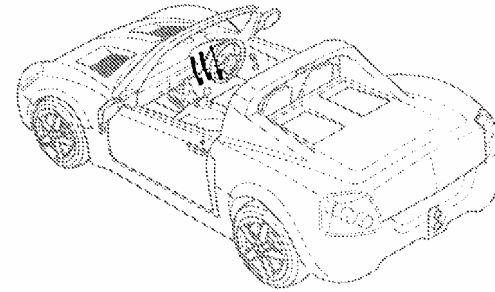


H3

BRAKES

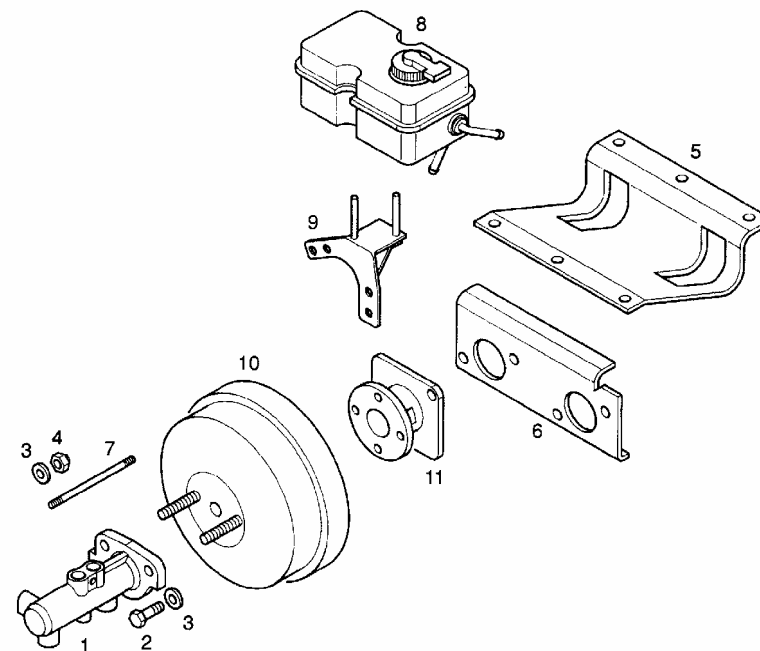
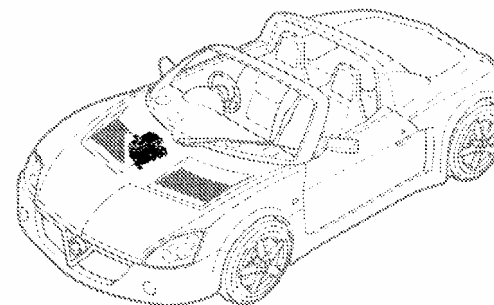


J1 Ref	Part Description	Qty	Part No
BRAKE PEDAL			
1	PEDAL. ASSY.. BRAKE	1	9197412
2	PAD. BRAKE PEDAL	1	90498309
3	YOKE. MAIN CYLINDER PUSH ROD	1	9197408
4	PIN. CLEVIS. PUSH ROD TO BRAKE PEDAL	1	9197397
5	BUSH. CLEVIS PIN TO BRAKE PEDAL (NLS.)	1	(9197400)
6	CLIP. CLEVIS PIN TO BRAKE PEDAL	1	9197399
7	BRACKET. RETURN SPRING. BRAKE PEDAL	1	9197816
8	SPRING. RETURN. BRAKE PEDAL	1	9197817



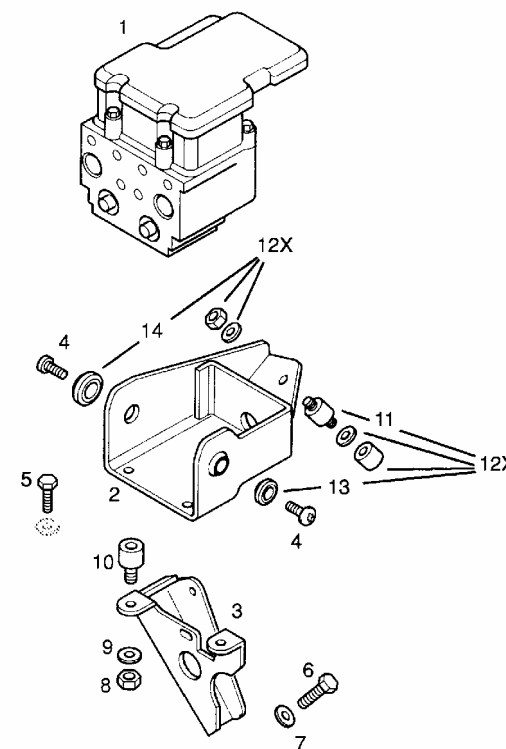
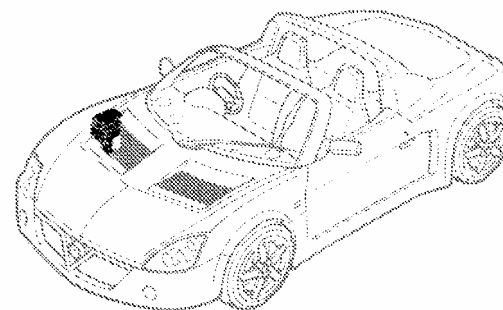
J1

J2 Ref	Part Description	Qty	Part No
BRAKE MAIN CYLINDER			
1	CYLINDER. ASSY.. BRAKE MAIN	1	9197943
2	SCREW. HEX.HD.. M8 X 30. MAIN CYLINDER	2	9197920
3	WASHER. M8. MAIN CYLINDER	2	9198224
4	NUT. HEX.. SELF LOCKING. M8. MAIN CYLINDER	2	9198205
5	PLATE. MOUNTING. MAIN CYLINDER	1	9197947
6	PLATE. RETAINING. MAIN CYLINDER TO PEDAL BOX	1	9197921
7	ROD. PUSH. MAIN CYLINDER BRAKE FLUID RESERVOIR	2	9197416
8	RESERVOIR. MAIN CYLINDER	1	9197924
9	BRACKET. RESERVOIR MOUNTING BRAKE SERVO UNIT	1	9197553
10	SERVO UNIT. ASSY.	1	9197300
11	BRACKET. BRAKE SERVO UNIT	1	9197222



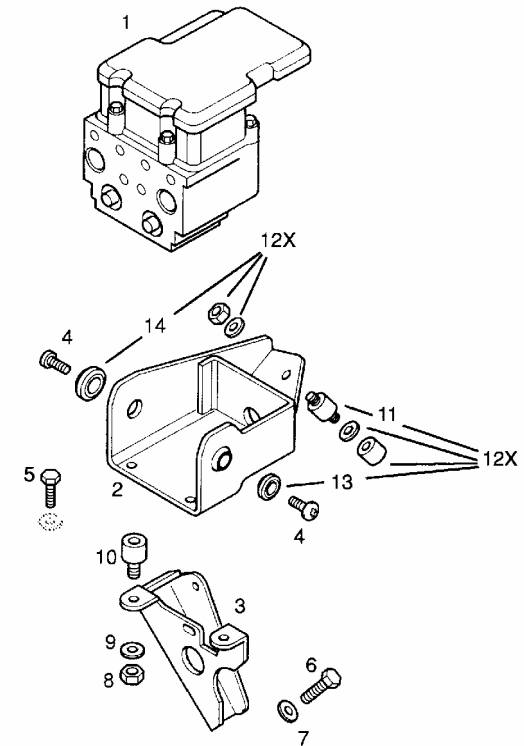
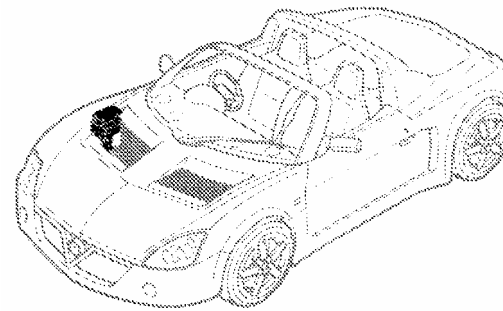
J2

J3 Ref	Part Description	Qty	Part No
ABS HYDRAULIC UNIT			
1	UNIT. HYDRAULIC. ABS	1	9197050
2	BRACKET. ABS CONTROL UNIT	1	9197540
3	BRACKET. ABS CONTROL UNIT. LHD	1	9197925
3	BRACKET. ABS CONTROL UNIT. RHD	1	9197926
4	SCREW. SOCKET HD.. ABS HYDRAULIC CONTROL UNIT TO BRACKET	2	9197948
5	SCREW. M6 X 10. ABS HYDRAULIC CONTROL UNIT TO BRACKET	3	9197945
6	SCREW. M6 X 18. ABS HYDRAULIC CONTROL UNIT TO BRACKET. LHD	2	9198006
6	SCREW. M6 X 18. ABS HYDRAULIC CONTROL UNIT TO BRACKET. RHD	1	9198006
7	WASHER. LOCK. M6. ABS HYDRAULIC CONTROL UNIT TO BRACKET. LHD	2	9198009
7	WASHER. LOCK. M6. ABS HYDRAULIC CONTROL UNIT TO BRACKET. RHD	1	9198009
8	NUT. HEX.. SELF LOCKING. M6. ABS HYDRAULIC CONTROL UNIT TO BRACKET. LHD	3	9198220
8	NUT. HEX.. SELF LOCKING. M6. ABS HYDRAULIC CONTROL UNIT TO BRACKET. RHD	1	9198220
9	WASHER. 6 X 12.1. ABS HYDRAULIC CONTROL UNIT TO BRACKET. LHD	3	9198223
10	MOUNT. RUBBER. ABS CONTROL UNIT. FRONT. LHD	2	9197944
10	MOUNT. RUBBER. ABS CONTROL UNIT. FRONT. RHD	1	9197944



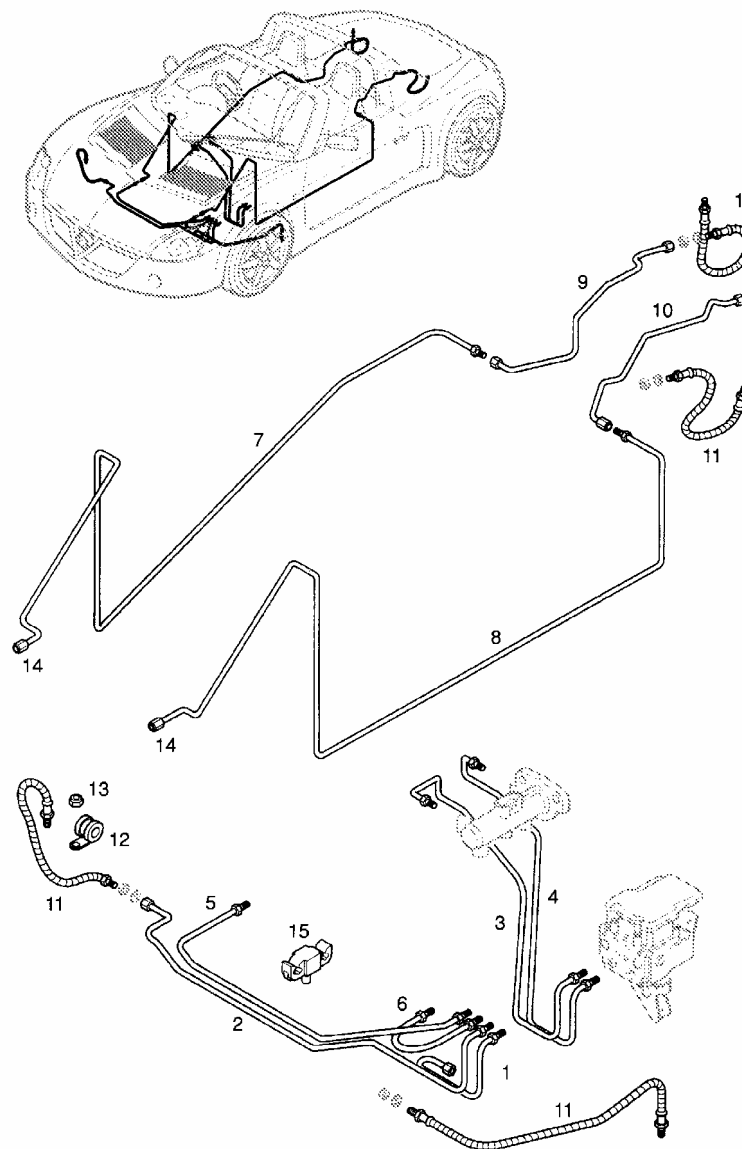
J3

11	MOUNT. RUBBER. ABS CONTROL UNIT. REAR	1	9197951
12	SET. MOUNTING PARTS. ABS HYDRAULIC CONTROL UNIT	1	9197954
13	-GROMMET. MOUNTING HOLE. ABS HYDRAULIC CONTROL UNIT TO BRACKET (SMALL)	1	9197949
14	-GROMMET. MOUNTING HOLE. ABS HYDRAULIC CONTROL UNIT TO BRACKET (LARGE)	1	9197950



J3

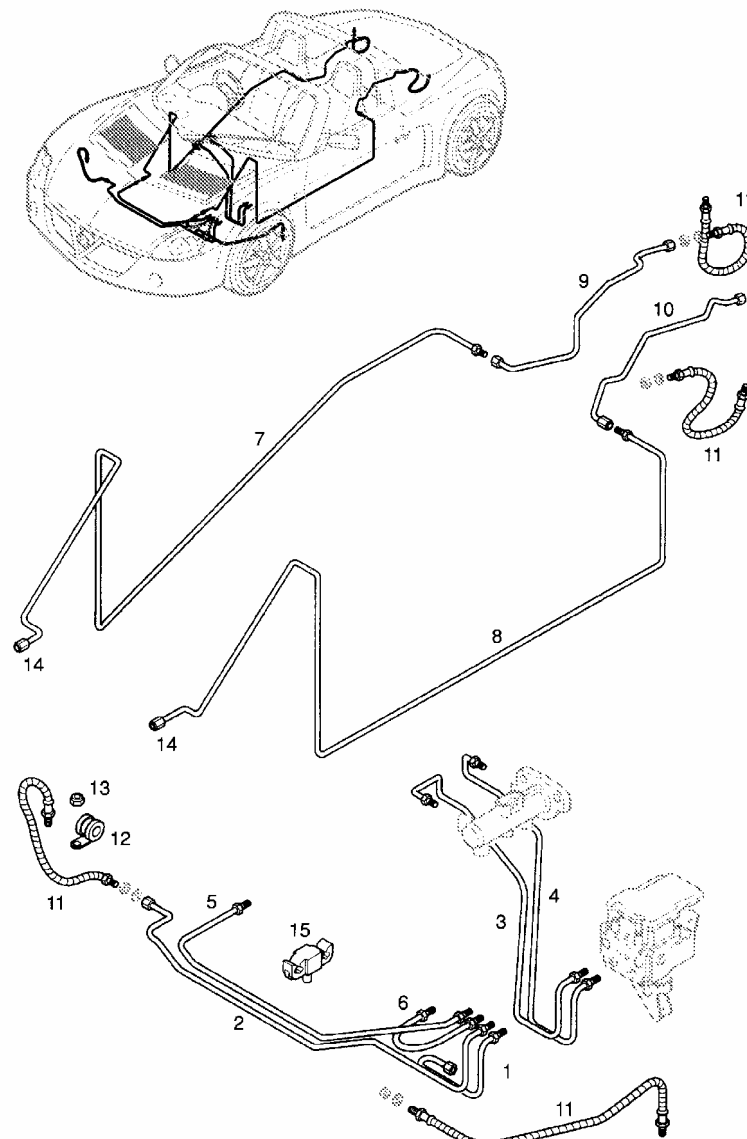
J4 Ref	Part Description	Qty	Part No
BRAKE PIPES AND HOSES LHD			
1	PIPE. ASSY.. BRAKE. FRONT. LH-LHD	1	9197939
2	PIPE. ASSY.. BRAKE. FRONT. RH-LHD	1	9197940
3	PIPE. ASSY.. BRAKE. MAIN CYLINDER TO ABS UNIT. FRONT. LHD	1	9197931
4	PIPE. ASSY.. BRAKE. MAIN CYLINDER TO ABS UNIT. REAR. LHD	1	9197933
5	PIPE. ASSY.. BRAKE. ABS UNIT TO BULKHEAD. RH-LHD	1	9197936
6	PIPE. ASSY.. BRAKE. ABS UNIT TO BULKHEAD. LH-LHD	1	9197935
7	PIPE. ASSY.. BRAKE. INTERMEDIATE. RH	1	9197929
8	PIPE. ASSY.. BRAKE. INTERMEDIATE. LH	1	9197930
9	PIPE. ASSY.. BRAKE. REAR. RH	1	9197928
10	PIPE. ASSY.. BRAKE. REAR. LH	1	9197927
11	HOSE. BRAKE PIPE TO CALIPER	4	9197917
12	CLIP. BRAKE HOSE TO WISHBONE. FRONT	2	9197923
13	NUT. HEX.. SELF LOCKING. M6. BRAKE HOSE TO WISHBONE. FRONT	2	9198151
14	UNION. M10. BRAKE PIPE TO BULKHEAD	2	9197919
15	CLIP. 2-WAY. BRAKE PIPES TO FRONT TUNNEL	12	9197746
-	CLIP. BRAKE PIPE. 4.7MM	22	9197918
-	SCREW. HEX.HD.. M6 X 20. PIPE FIXING	4	9198127
-	CLIP. BRAKE PIPE	1	9198129



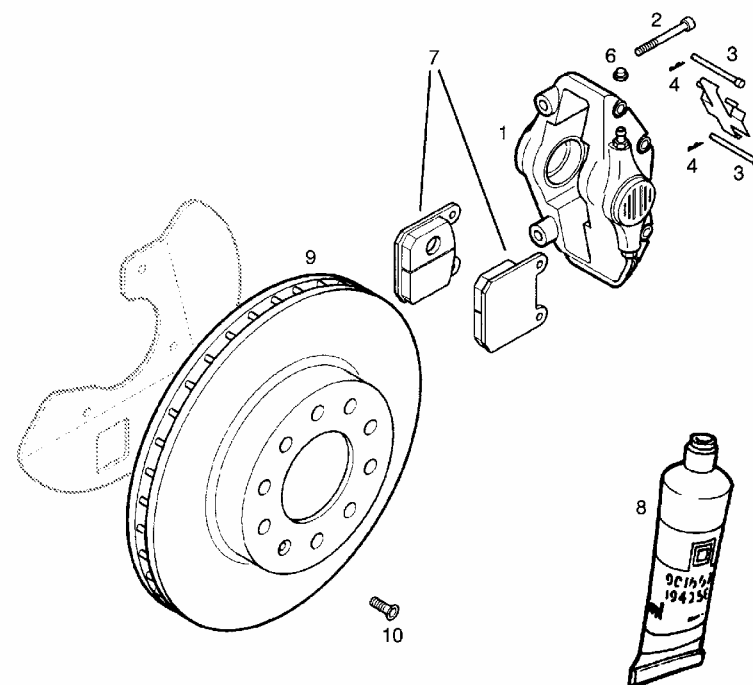
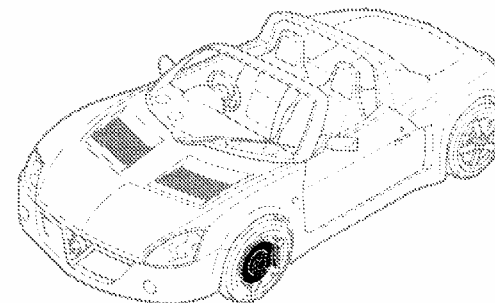
J4

BRAKE PIPES AND HOSES RHD

1	PIPE. ASSY.. BRAKE. FRONT. LH-RHD	1	9197941
2	PIPE. ASSY.. BRAKE. FRONT. RH-RHD	1	9197942
3	PIPE. ASSY.. BRAKE. MAIN CYLINDER TO ABS UNIT. FRONT. RHD	1	9197932
4	PIPE. ASSY.. BRAKE. MAIN CYLINDER TO ABS UNIT. REAR. RHD	1	9197934
5	PIPE. ASSY.. BRAKE. ABS UNIT TO BULKHEAD. RH-RHD	1	9197938
6	PIPE. ASSY.. BRAKE. ABS UNIT TO BULKHEAD. LH-RHD	1	9197937
7	PIPE. ASSY.. BRAKE. INTERMEDIATE. RH	1	9197929
8	PIPE. ASSY.. BRAKE. INTERMEDIATE. LH	1	9197930
9	PIPE. ASSY.. BRAKE. REAR. RH	1	9197928
10	PIPE. ASSY.. BRAKE. REAR. LH	1	9197927
11	HOSE. BRAKE PIPE TO CALIPER	4	9197917
12	CLIP. BRAKE HOSE TO WISHBONE. FRONT	2	9197923
13	NUT. HEX.. SELF LOCKING. M6. BRAKE HOSE TO WISHBONE. FRONT	2	9198151
14	UNION. M10. BRAKE PIPE TO BULKHEAD	2	9197919
15	CLIP. 2-WAY. BRAKE PIPES TO FRONT TUNNEL	12	9197746
-	CLIP. BRAKE PIPE. 4.7MM	22	9197918
-	SCREW. HEX.HD.. M6 X 20. PIPE FIXING	4	9198127
-	CLIP. BRAKE PIPE	1	9198129

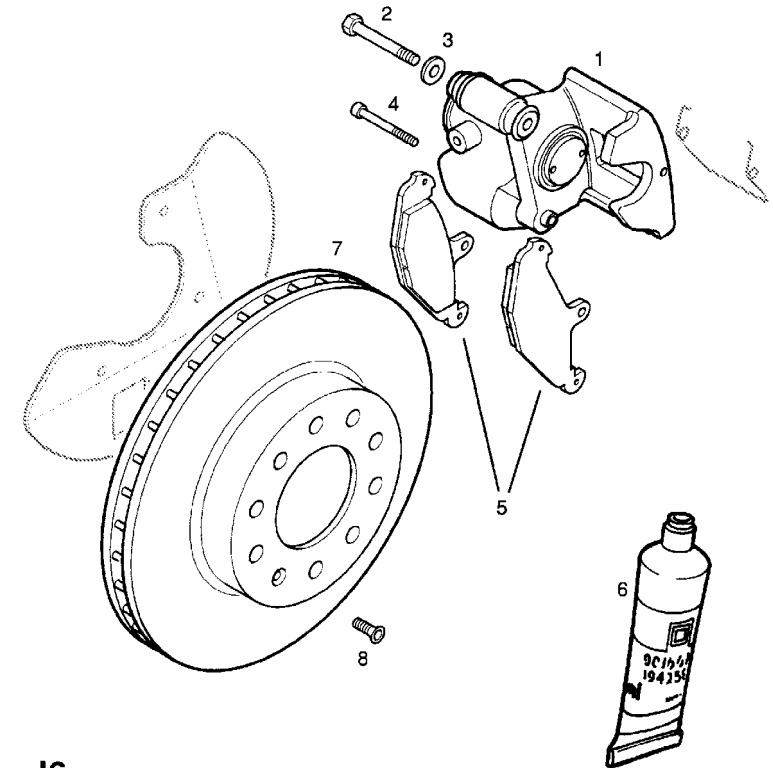
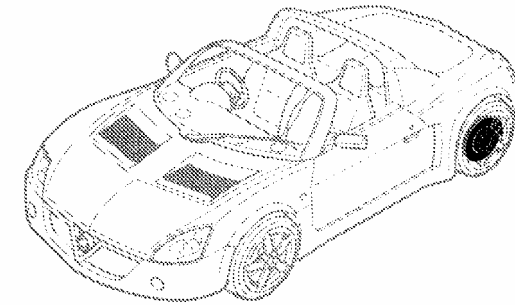


J5 Ref	Part Description	Qty	Part No
FRONT BRAKE DISC CALIPER			
1	CALIPER. ASSY.. FRONT DISC. RH	1	9197899
1	CALIPER. ASSY.. FRONT DISC. LH	1	9197898
2	SCREW. SOCKET HD.. M10 X 65. CALIPER TO HUB CARRIER	4	9197799
3	PIN. RETAINING. FRICTION PAD	4	9197900
4	CLIP. SPRING. FRICTION PAD RETAINING PIN	4	9197957
5	SPRING. ANTI-RATTLE. FRICTION PAD	2	9197897
6	CAP. BLEEDER VALVE. FRONT DISC CALIPER	2	9197906
7	SET. FRICTION PADS. BRAKE. AXLE SET	1	9199058
8	PASTE. ANTI-SQUEAK. 4CCM FRONT BRAKE DISC AND SHIELD	AR	90166282
9	DISC. FRONT BRAKE	4	90512029
10	SCREW. CSK.. M10. DISC TO HUB	4	90278945



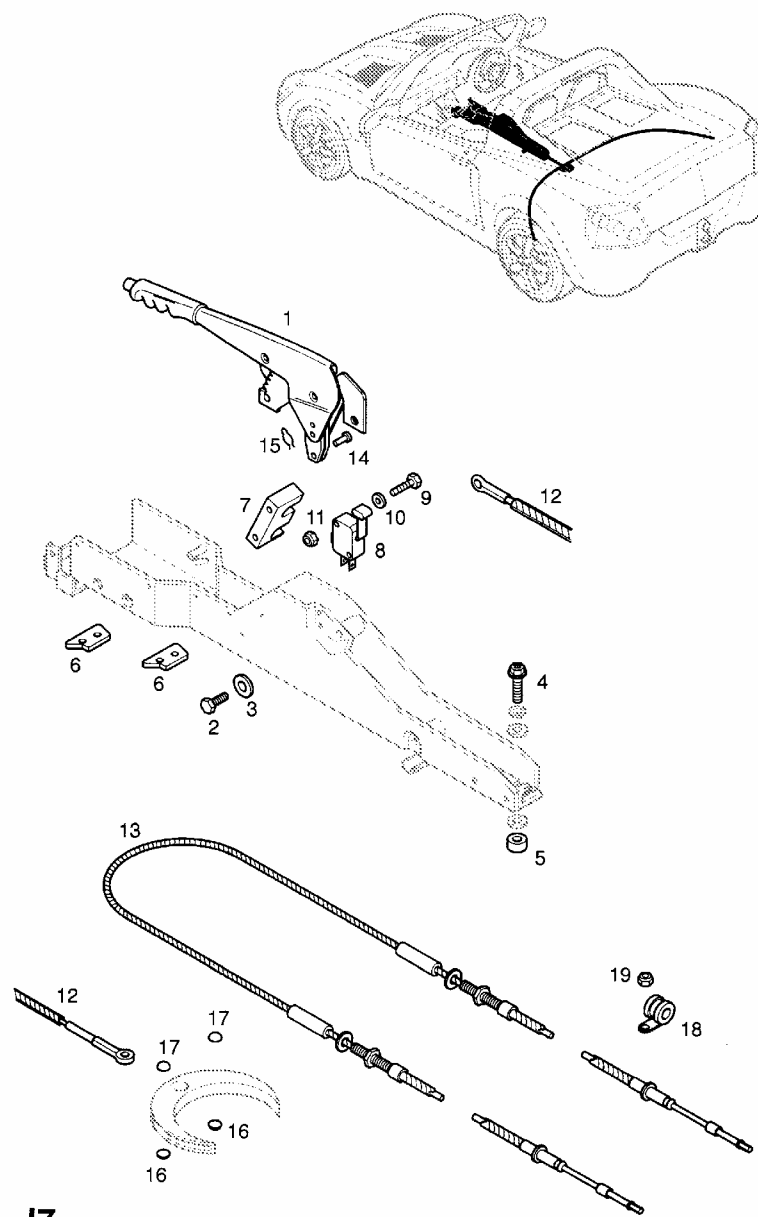
J5

J6 Ref	Part Description	Qty	Part No
REAR BRAKE DISC CALIPER			
1	CALIPER. ASSY.. REAR DISC. RH	1	9197904
1	CALIPER. ASSY.. REAR DISC. LH	1	9197905
2	SCREW. HEX.HD.. M10 X 80. CALIPER TO HUB CARRIER	2	9197910
3	WASHER. M10 X 20.5. CALIPER TO HUB CARRIER	2	9198225
4	SCREW. SOCKET HD.. M8 X 60. CALIPER TO HUB CARRIER	2	9197911
5	SET. FRICTION PADS. BRAKE. AXLE SET	1	9199059
6	PASTE. ANTI-SQUEAK. 4CCM REAR BRAKE DISC AND SHIELD	AR	90166282
7	DISC. REAR BRAKE	4	90512029
8	SCREW. CSK.. M10. DISC TO HUB	4	90278945



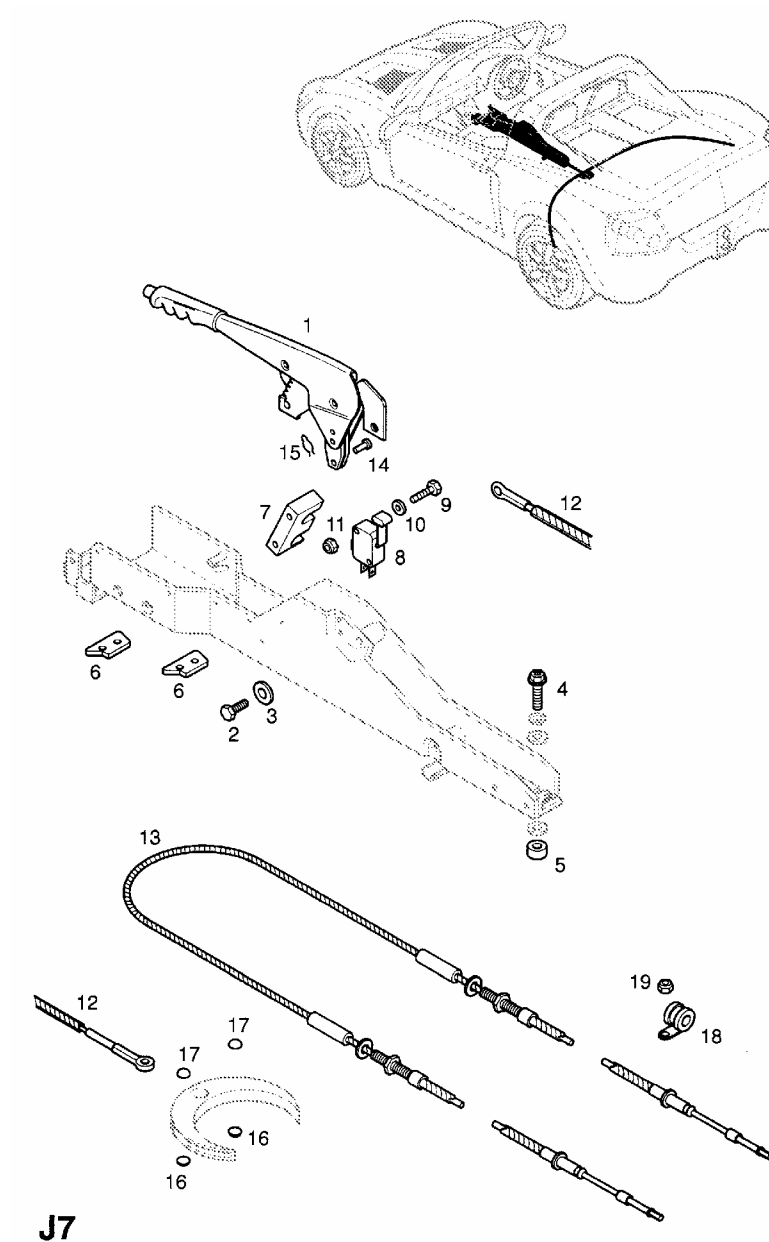
J6

J7 Ref	Part Description	Qty	Part No
HANDBRAKE LEVER			
1	LEVER. ASSY.. HANDBRAKE	1	9197975
-	COVER. HANDBRAKE LEVER	1	9197721
2	SCREW. HEX.HD.. M8 X 25. HANDBRAKE LEVER TO MOUNTING CHANNEL	1	9197956
3	WASHER. SPRING. 8MM. HANDBRAKE LEVER TO MOUNTING CHANNEL	2	9198227
4	SCREW. SOCKET HD.. M8 X 30. HANDBRAKE MOUNTING BRACKET TO CHASSIS	1	9197961
5	SPACER. HANDBRAKE MOUNTING BRACKET TO CHASSIS	1	9197965
6	PLATE. EXTENSION. HANDBRAKE	2	9197970
7	BLOCK. SUPPORT. HANDBRAKE	1	9197971
8	SWITCH. ASSY.. HANDBRAKE WARNING LIGHT	1	9197968
9	SCREW. RD.HD.. M3 X 16. HANDBRAKE WARNING LIGHT SWITCH	2	9197959
10	WASHER. 3 X 7. HANDBRAKE WARNING LIGHT SWITCH	2	9197962
11	NUT. HEX.. SELF LOCKING. M3. HANDBRAKE WARNING LIGHT SWITCH	2	9197958
HANDBRAKE CABLE			
12	CABLE. ASSY.. HANDBRAKE. FRONT	1	9197973
13	CABLE. ASSY.. HANDBRAKE. REAR	1	9197960
14	PIN. RETAINING. HANDBRAKE CABLE. FRONT	2	9197963
15	CLIP. SPRING. HANDBRAKE CABLE. FRONT	2	9197957

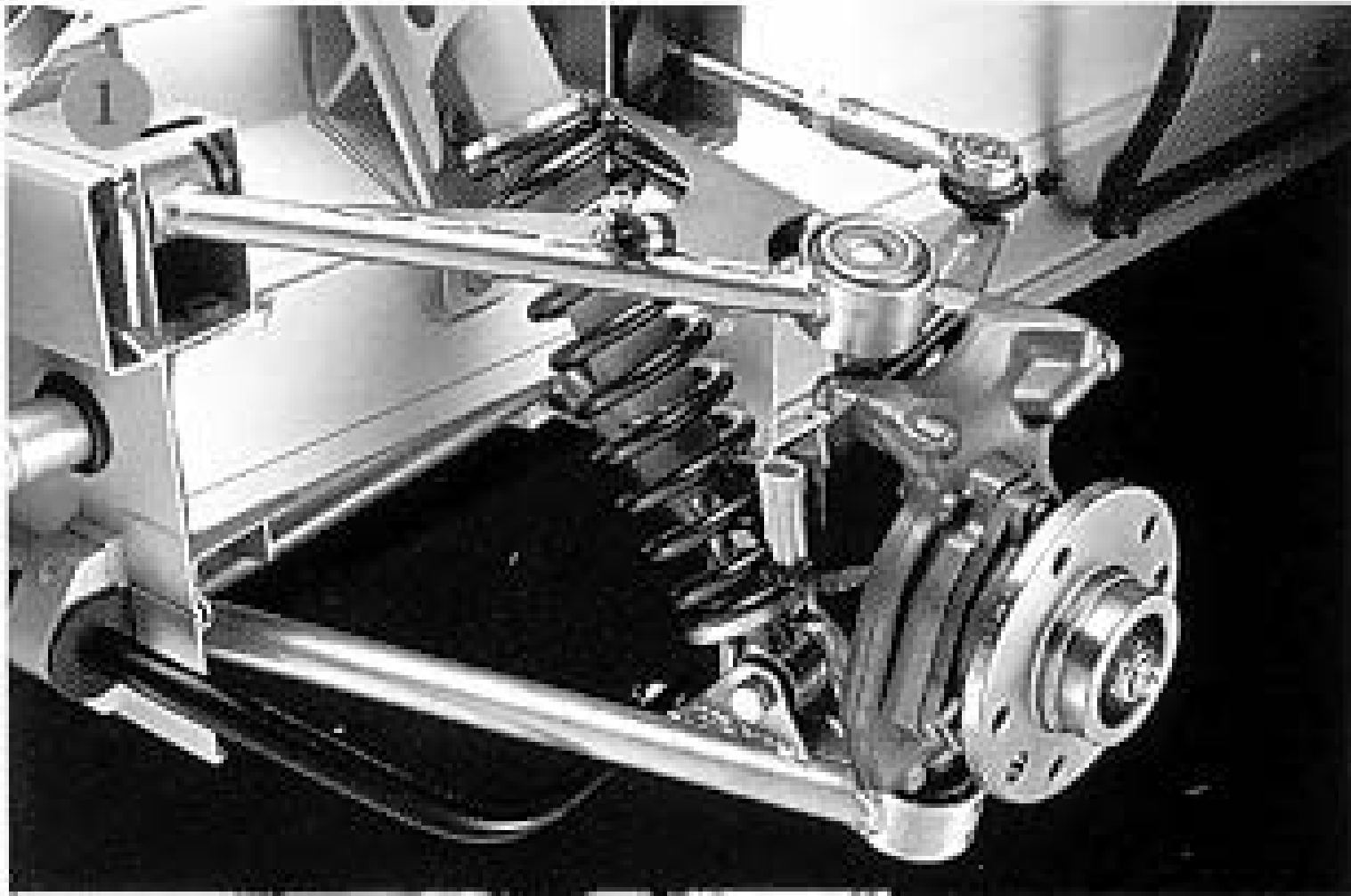


J7

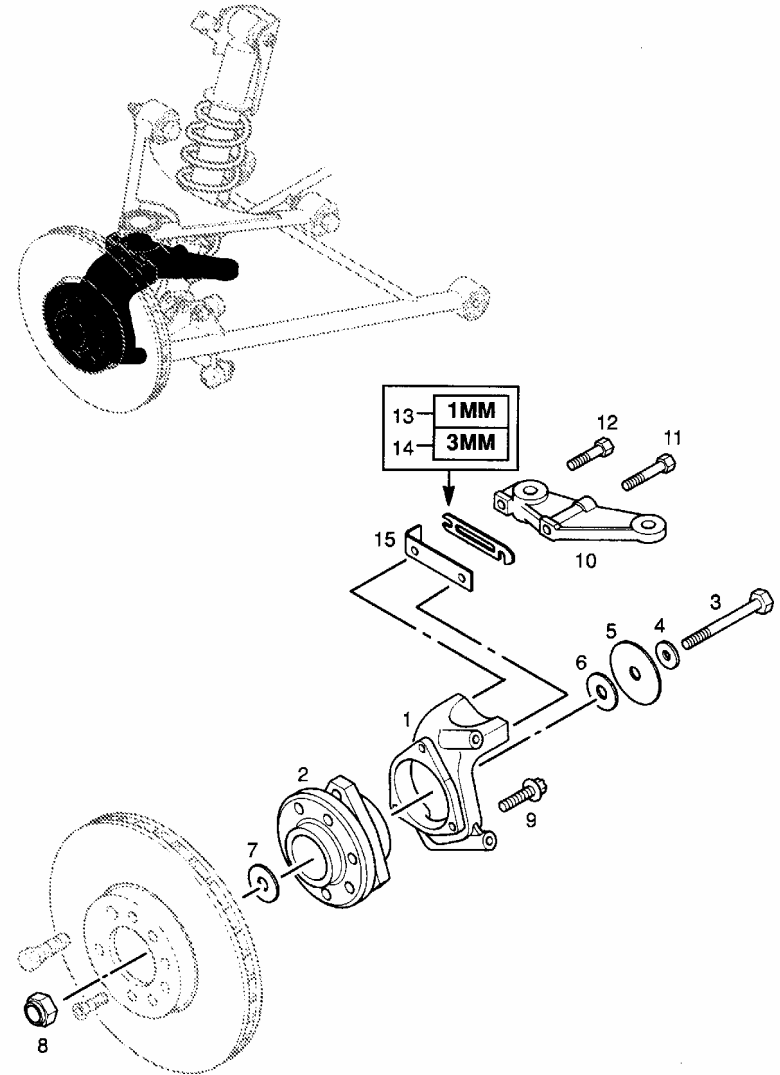
16	BUMPER. HANDBRAKE CABLE EQUALIZER	2	9197966
17	BUMPER. HANDBRAKE CABLE EQUALIZER	2	9197967
18	'P'CLIP. HANDBRAKE CABLE TO REAR SUSPENSION WISHBONE	4	9197845
19	NUT. HEX. SELF LOCKING. M6. HANDBRAKE CABLE TO REAR SUSPENSION WISHBONE	4	9198151



FRONT AXIL AND SUSPENSION

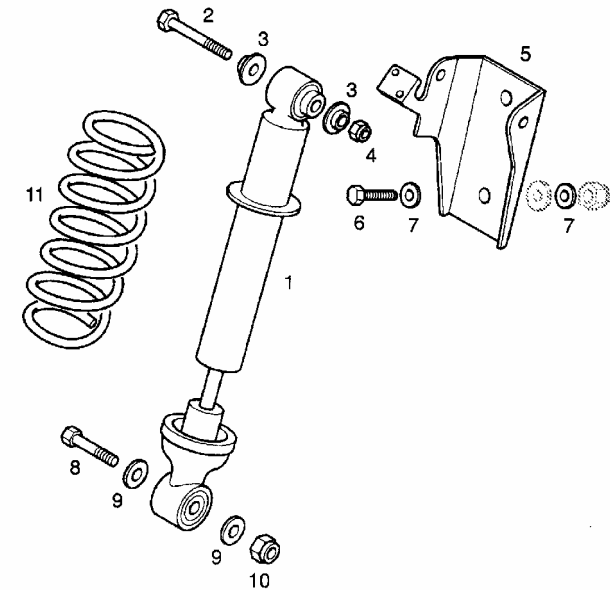
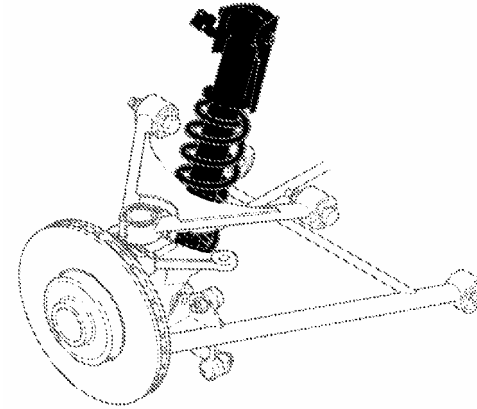


K1 Ref	Part Description	Qty	Part No
FRONT HUB			
1	CARRIER. HUB. LH	1	9197820
1	CARRIER. HUB. RH	1	9197821
2	HUB. ASSY.. WITH FLANGE AND BEARING	2	9197863
3	BOLT. M16 X 100. HUB TO HUB CARRIER	2	9197829
4	WASHER. M16 X 30. HUB TO HUB CARRIER	2	9197798
5	SHIELD. WHEEL BEARING. INNER	2	9197805
6	WASHER. THRUST. HUB. INNER	2	9197787
7	WASHER. THRUST. HUB. OUTER	2	9197786
8	NUT. HEX.. SELF LOCKING. M16. HUB RETAINING	2	9197793
9	SCREW. TORX HD.. HUB TO HUB CARRIER	6	9197823
10	ARM. STEERING. RH	1	9197808
10	ARM. STEERING. LH	1	9197809
11	BOLT. M10 X 65. STEERING ARM TO HUB CARRIER	2	9197799
12	BOLT. M10 X 45. STEERING ARM TO HUB CARRIER	2	9197800
12	BOLT. M10 X 50. STEERING ARM TO HUB CARRIER	2	9197826
13	SHIM. 1MM. CAMBER ADJUSTMENT. STEERING ARM TO HUB CARRIER	4	9197810
14	SHIM. 3MM. CAMBER ADJUSTMENT. STEERING ARM TO HUB CARRIER	2	9197811
15	SHIM. STEERING ARM AND ABS SENSOR TO HUB CARRIER	2	9197822

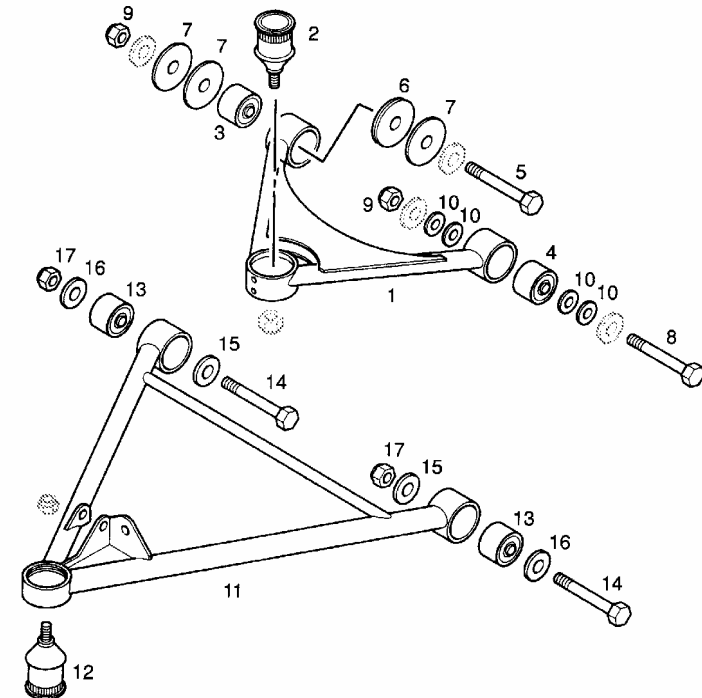
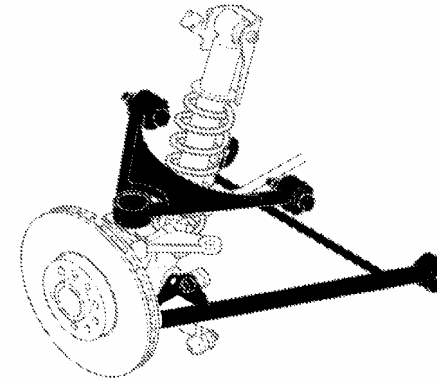


K1

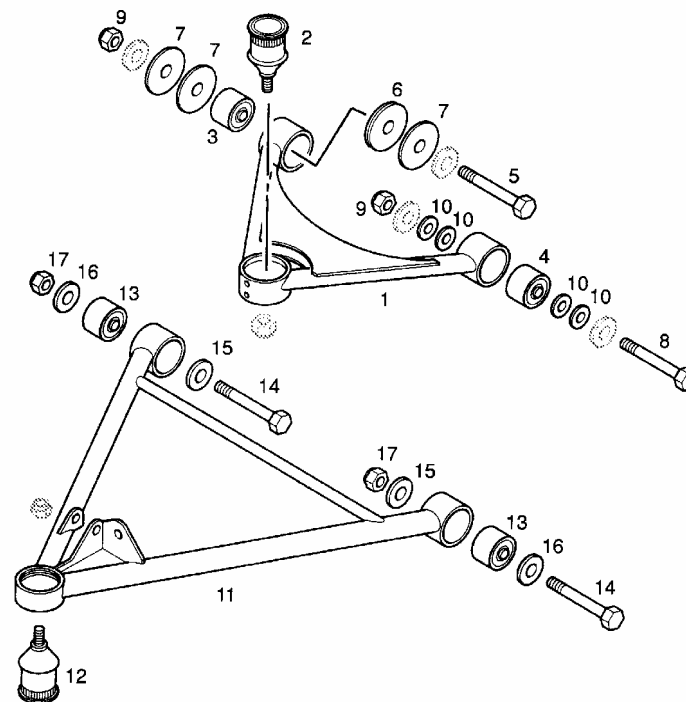
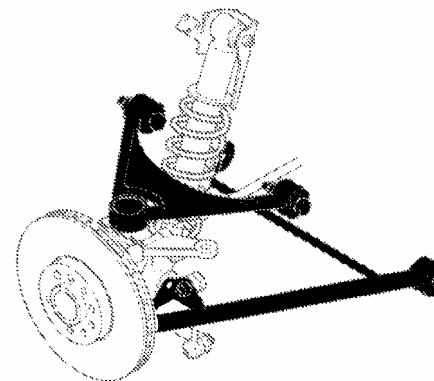
K2 Ref	Part Description	Qty	Part No
FRONT SHOCK ABSORBERS			
1	SHOCK ABSORBER. ASSY.. FRONT	2	9197812
2	BOLT. M10 X 70. SHOCK ABSORBER TO BRACKET. UPPER	2	9197772
3	WASHER. SPACER. SHOCK ABSORBER TO BRACKET. UPPER	4	9197777
4	NUT. HEX.. SELF LOCKING. M10. SHOCK ABSORBER TO BRACKET. UPPER	2	9197991
5	BRACKET. SHOCK ABSORBER. UPPER. RH. LHD	1	9197818
5	BRACKET. SHOCK ABSORBER. UPPER. LH. LHD	1	9197803
5	BRACKET. SHOCK ABSORBER. UPPER. RH. RHD	1	9197804
5	BRACKET. SHOCK ABSORBER. UPPER. LH. RHD	1	9197819
6	SCREW. HEX.HD.. M8 X 25. SHOCK ABSORBER BRACKET. UPPER	4	9197035
7	WASHER. M8 X 16.6. SHOCK ABSORBER BRACKET. UPPER	4	9197795
8	BOLT. M10 X 55. SHOCK ABSORBER TO WISHBONE. LOWER	2	9197831
9	WASHER. M10 X 20.5. SHOCK ABSORBER TO WISHBONE. LOWER	6	9198225
10	NUT. HEX.. SELF LOCKING. M10. SHOCK ABSORBER TO WISHBONE. LOWER	2	9197991
FRONT SPRINGS			
11	SPRING. FRONT	2	9197813



K3 Ref	Part Description	Qty	Part No
FRONT WISHBONES			
1	WISHBONE. ASSY.. UPPER. RH	1	9197330
2	-BALL JOINT. ASSY	1	9197833
3	-BUSH. UPPER WISHBONE TO CHASSIS. FRONT	1	9197832
4	BUSH. UPPER WISHBONE TO CHASSIS. REAR	1	9197783
1	WISHBONE. ASSY.. UPPER. LH	1	9197329
2	-BALL JOINT. ASSY	1	9197833
3	-BUSH. UPPER WISHBONE TO CHASSIS. FRONT	1	9197832
4	-BUSH. UPPER WISHBONE TO CHASSIS. REAR	1	9197783
-	NUT. HEX.HD.. BALL JOINT. UPPER	2	9198137
5	BOLT. M10 X 80. UPPER WISHBONE TO CHASSIS. FRONT	2	9197774
6	WASHER. THRUST. UPPER WISHBONE TO CHASSIS. FRONT	2	9197780
7	SHIM. 1.5MM. CASTOR ADJUSTMENT. UPPER WISHBONE. FRONT	6	9197779
8	BOLT. M10 X 75. UPPER WISHBONE TO CHASSIS. REAR	2	9197773
9	NUT. HEX.. SELF LOCKING. M10. UPPER WISHBONE TO CHASSIS	4	9197991
10	SHIM. 1.5MM. CASTOR ADJUSTMENT. UPPER WISHBONE. REAR	8	9197896
11	WISHBONE. ASSY.. LOWER. RH	1	9197332
12	-BUSH. LOWER WISHBONE TO	1	9197833

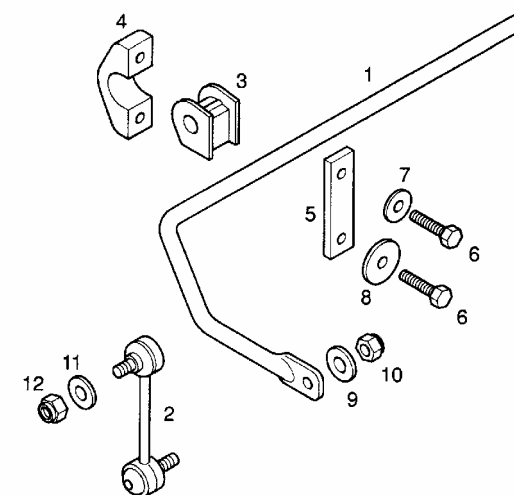
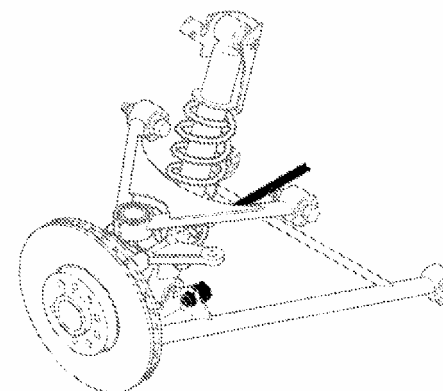


13	-BUSH. LOWER WISHBONE TO CHASSIS	2	9197832
11	WISHBONE. ASSY.. LOWER. LH	1	9197331
12	-BALL JOINT. ASSY	1	9197833
13	-BUSH. LOWER WISHBONE TO CHASSIS	2	9197832
-	NUT. HEX.HD.. BALL JOINT. LOWER	2	9198137
14	BOLT. M10 X 85. LOWER WISHBONE TO CHASSIS	4	9197776
15	WASHER. 10 X 20.5. LOWER WISHBONE TO CHASSIS. INNER	8	9197996
16	WASHER. M10 X 20.5. LOWER WISHBONE TO CHASSIS. OUTER	8	9198225
17	NUT. HEX.. SELF LOCKING. M10. LOWER WISHBONE TO CHASSIS	4	9197991



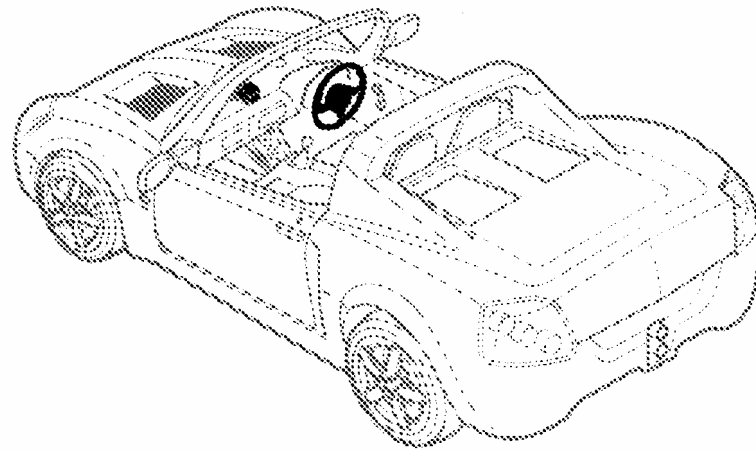
K3

K4 Ref	Part Description	Qty	Part No
FRONT SUSPENSION STABILIZER BAR			
1	BAR. STABILIZER	1	9197785
2	DROP LINK. STABILIZER BAR	2	9197778
3	BEARING. FRONT STABILIZER BAR	2	9197781
4	CLAMP. BEARING. FRONT STABILIZER	2	9197782
5	PLATE. BEARING. FRONT STABILIZER BAR	2	9197784
6	SCREW. HEX.HD.. M8 X 30. PLATE TO CLAMP. STABILIZER BAR	4	9197791
7	WASHER. M8 X 14. PLATE TO CLAMP. STABILIZER BAR. UPPER	2	9197797
8	WASHER. M8 X 25. PLATE TO CLAMP. STABILIZER BAR. LOWER	2	9197794
9	WASHER. M10 X 20.5. STABILIZER BAR TO DROP LINK	2	9197775
10	NUT. HEX.. SELF LOCKING. M10. STABILIZER BAR TO DROP LINK	2	9197792
11	WASHER. M10 X 20.5. LOWER WISHBONE TO DROP LINK	2	9197775
12	NUT. HEX.. SELFLOCKING. M10. LOWER WISHBONE TO DROP LINK	2	9197792
-	NUT. HEX.. SELF LOCKING. M8. STABILIZER BAR TO CHASSIS	4	9197871
-	GREASE. PROTECTING. 100 GRAMS. BEARING. FRONT STABILIZER SHAFT	AR	9117810

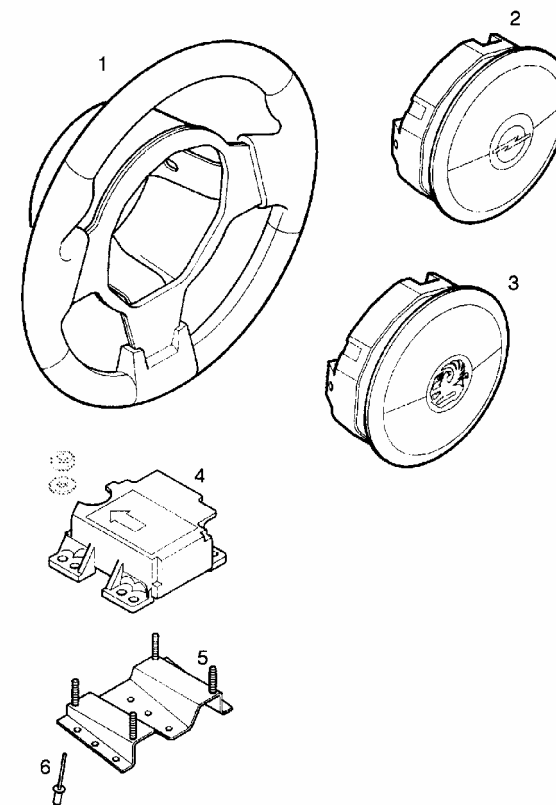
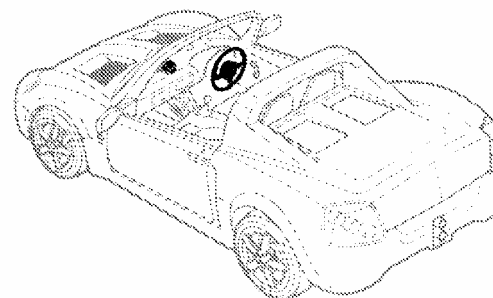


K4

STEERING

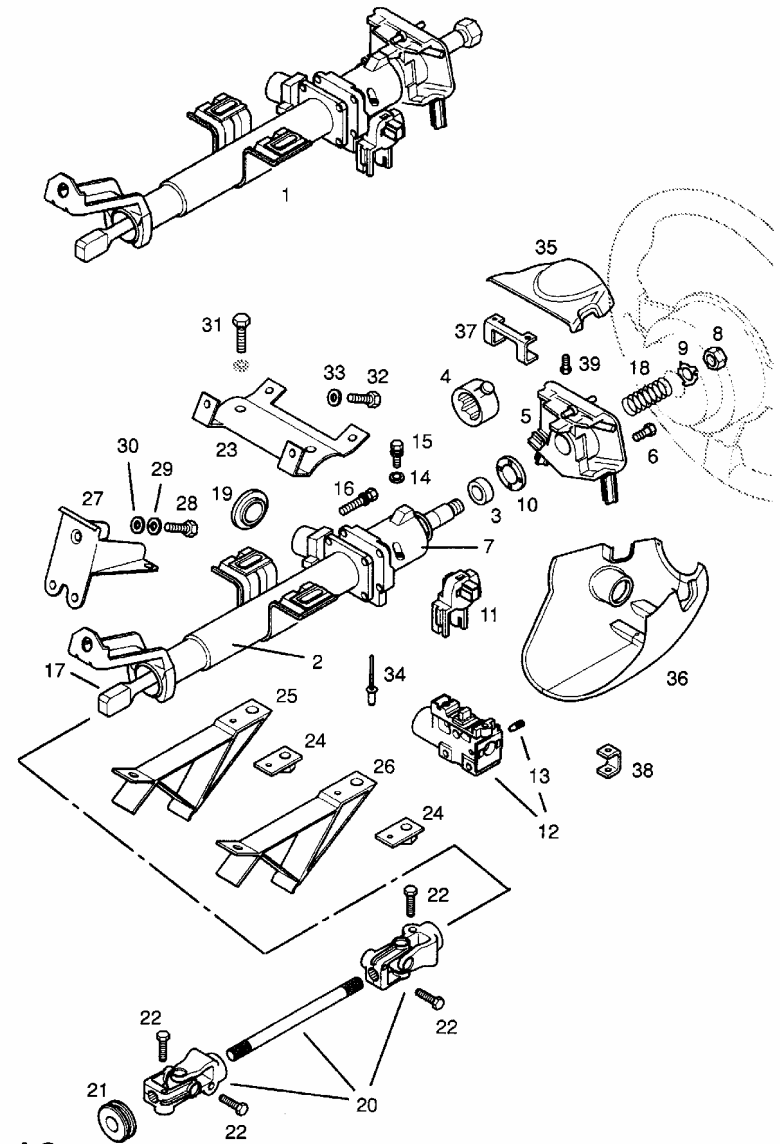


L1 Ref	Part Description	Qty	Part No
STEERING WHEEL			
1	WHEEL. STEERING. THREE SPOKES	1	9198150
AIR BAG			
2	AIR BAG ASSY.. DRIVER SIDE (OPEL)	1	9198156
3	AIR BAG ASSY.. DRIVER SIDE (VAUXHALL)	1	9198157
-	SCREW. TORX. AIR BAG	2	9197532
4	CONTROL UNIT. AIR BAG	1	9197623
5	BRACKET. CONTROL UNIT	1	9197223
6	RIVET. BLIND. BRACKET FIXING	9	9197767
-	SCREW. M6 X 10. AIR BAG CONTROL UNIT FIXING	2	9197471



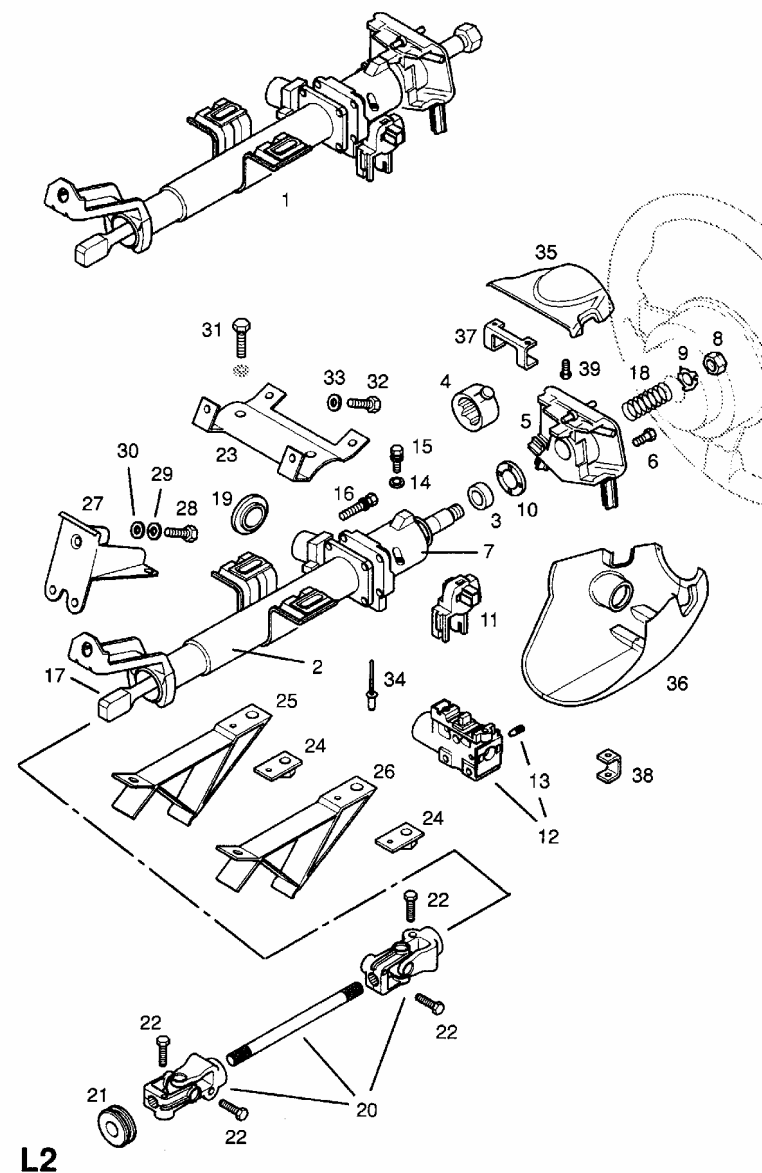
L1

L2 Ref	Part Description	Qty	Part No
STEERING COLUMN			
1	COLUMN. ASSY.. STEERING (NS.-USE COMPONENTS)	1	
2	-JACKET. ASSY.. STEERING COLUMN	1	26047846
3	-BUSHING. JACKET. STEERING COLUMN. INNER	1	26047840
4	BUSHING. JACKET. STEERING COLUMN. UPPER	1	26044201
5	HOUSING. ASSY.. TURN SIGNAL SWITCH	1	26048294
6	-SCREW. HEX.HD.. M4. IGNITION SWITCH TO STEERING COLUMN HOUSING	2	7849055
7	-HOUSING. UPPER. WITH BEARING	1	26015587
8	-NUT. HEX.. M14. STEERING WHEEL TO SHAFT	1	11011779
9	-PLATE. LOCK. STEERING WHEEL TO SHAFT	1	90539666
10	-BRACKET. UPPER	1	26016033
11	-SWITCH. AND STEERING COLUMN LOCK. ASSY.. IGNITION	1	90389377
12	CASE. STEERING LOCK AND IGNITION SWITCH	1	26034041
13	SCREW. IGNITION SWITCH TO HOUSING	1	7844632
14	-WASHER. SHEAR BOLT. STEERING COLUMN HOUSING UPPER	2	7846989
15	-SCREW. SHEAR. M6 X 1. SWITCH HOUSING	2	7844233
16	-SCREW. SHEAR HD.. M8 X 1.25. STEERING COLUMN	4	26002558

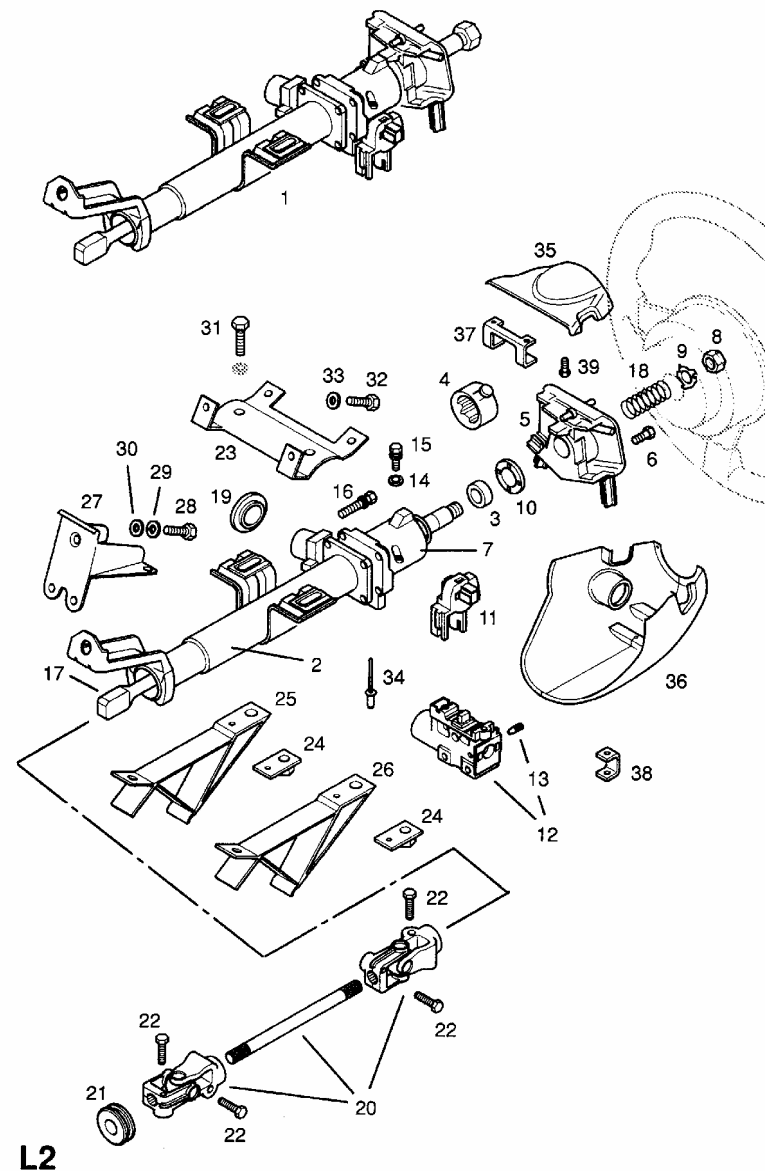


L2

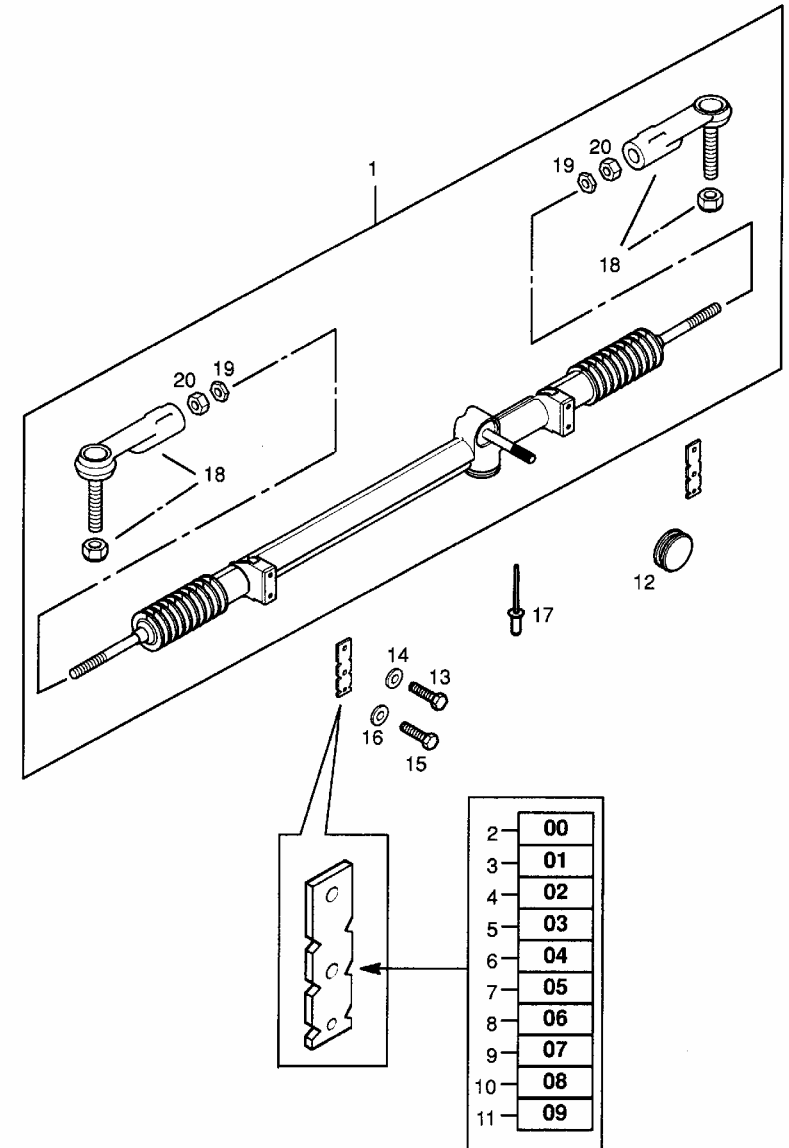
17	-SHAFT. STEERING COLUMN	1	26047836
18	-SPRING. THRUST. UPPER	1	26047020
19	ESCUTCHEON. LOCK	1	90181148
20	SHAFT. ASSY.. STEERING. INTERMEDIATE	1	9197880
21	GROMMET. INTERMEDIATE SHAFT TO BULKHEAD	1	9197872
22	SCREW. HEX.HD.. M8 X 40. INTERMEDIATE SHAFT	4	9197870
23	BRACKET. STEERING COLUMN JACKET. UPPER	1	9197422
-	PLATE. STEERING COLUMN SUPPORT. UPPER	2	9197432
24	NUT. PLATE. STEERING COLUMN SUPPORT. UPPER	2	9197431
25	BRACKET. STEERING COLUMN JACKET. RH	1	9197889
26	BRACKET. STEERING COLUMN JACKET. LH	1	9197888
27	BRACKET. STEERING COLUMN JACKET. LOWER. FRONT	1	9197421
28	SCREW. HEX.HD.. M8 X 16. STEERING COLUMN BRACKET TO CHASSIS. FRONT	1	9197884
29	WASHER. SPRING. 8MM. STEERING COLUMN BRACKET TO CHASSIS. FRONT	1	9198227
30	WASHER. 8 X 20 2.5. STEERING COLUMN BRACKET TO CHASSIS. FRONT	2	9198228
31	SCREW. HEX.HD.. M8 X 35. STEERING COLUMN BRACKET TO CHASSIS. UPPER	2	9197885
32	SCREW. HEX.HD.. M6 X 16. STEERING COLUMN BRACKET TO CHASSIS	2	9198126



33	WASHER. 6 X 12.1 X 1.4. STEERING COLUMN BRACKET TO CHASSIS	8	9198223
34	RIVET. BLIND. NUT PLATE TO BRACKET	2	9197890
-	BARREL AND KEYS. IGNITION AND STEERING LOCK. SPECIFIED LOCK (WITH 1 KEY) (EXCEPT VAUXHALL)	1	9198955
-	BARREL AND KEYS. IGNITION AND STEERING LOCK. UNSPECIFIED LOCK (WITH 2 KEYS)	1	9198954
35	COVER. ASSY.. STEERING COLUMN. UPPER	1	9197435
36	COVER. ASSY.. STEERING COLUMN. LOWER	1	197443
37	BRACKET. COVER FIXING. UPPER. FRONT	1	9197423
38	BRACKET. COVER FIXING. UPPER. REAR	1	9197424
39	SCREW. RD.HD.. M4 X 10. FRONT BRACKET TO STEERING COLUMN	1	9197430
-	NUT. COVER FIXING	3	9197646
-	FASTENER. COVER. LOWER	1	9197647

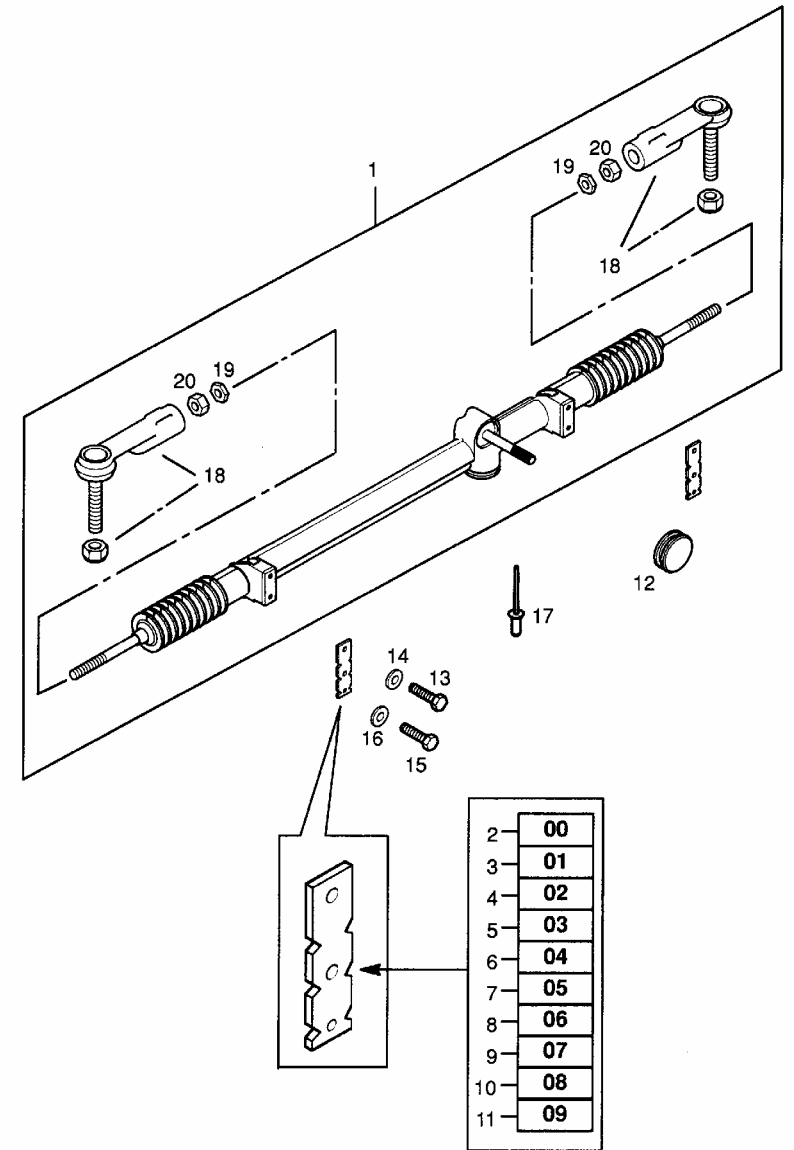


L3 Ref	Part Description	Qty	Part No
STEERING GEAR			
1	GEAR. ASSY.. STEERING. LHD	1	9197882
1	GEAR. ASSY.. STEERING. RHD	1	9197881
2	PLATE. ADJUSTING. STEERING GEAR HEIGHT. IDENT. 00 NOTCH	AR	9197425
3	PLATE. ADJUSTING. STEERING GEAR HEIGHT. IDENT. 01 NOTCH	AR	9197426
4	PLATE. ADJUSTING. STEERING GEAR HEIGHT. IDENT. 02 NOTCH	AR	9197427
5	PLATE. ADJUSTING. STEERING GEAR HEIGHT. IDENT. 03 NOTCH	AR	9197428
6	PLATE. ADJUSTING. STEERING GEAR HEIGHT. IDENT. 04 NOTCH	AR	9197444
7	PLATE. ADJUSTING. STEERING GEAR HEIGHT. IDENT. 05 NOTCH (NLS.)	AR	(9197445)
8	PLATE. ADJUSTING. STEERING GEAR HEIGHT. IDENT. 06 NOTCH (NLS.)	AR	(9197446)
9	PLATE. ADJUSTING. STEERING GEAR HEIGHT. IDENT. 07 NOTCH	AR	9197447
10	PLATE. ADJUSTING. STEERING GEAR HEIGHT. IDENT. 08 NOTCH (NLS.)	AR	(9197448)
11	PLATE. ADJUSTING. STEERING GEAR HEIGHT. IDENT. 09 NOTCH	AR	9197449
12	GROMMET. BLANKING. 40MM. STEERING PINION HOLE	1	9197749
13	SCREW. HEX.HD.. M10 X 30. STEERING GEAR TO CHASSIS. UPPER	2	9197874
14	WASHER. M10 X 20.5. STEERING GEAR TO CHASSIS. UPPER	2	9198224
15	SCREW. HEX.HD.. M8 X 25. STEERING GEAR TO CHASSIS. LOWER	2	9197873



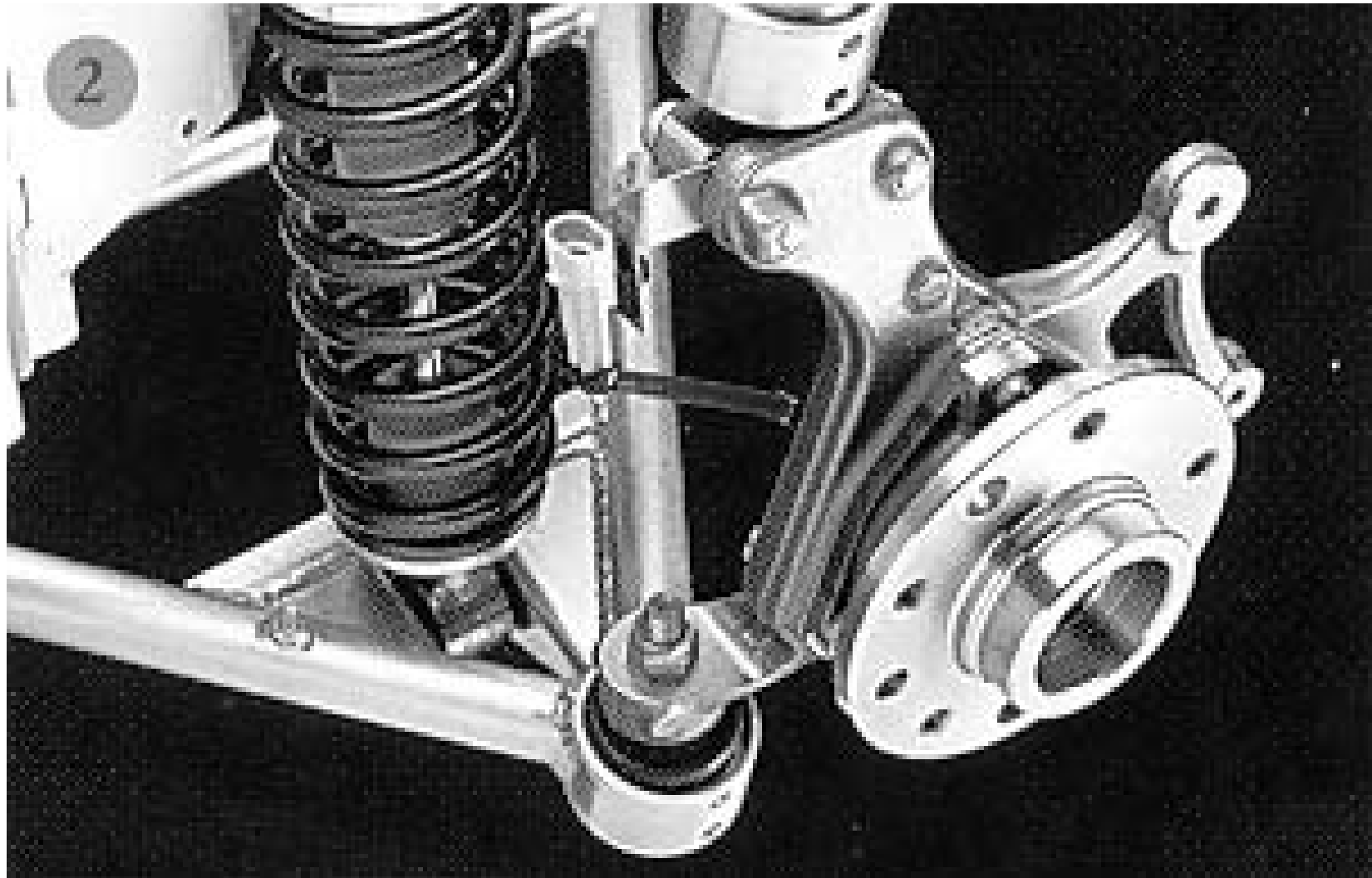
L3

16	WASHER. M8 X 16.6. STEERING GEAR TO CHASSIS. LOWER	2	9198224
17	RIVET. 3.2 X 9.2. ADJUSTER PLATE TO CHASSIS	2	9197875
STEERING TIE ROD			
18	END. ASSY.. TIE ROD. OUTER	2	9199057
19	NUT. HEX.. M12. TIE ROD	2	9197878
20	NUT. M12. ADJUSTING. STEERING TIE ROD END. RH THREAD	2	9197879
-	NUT. STEERING TIE ROD	2	9198106

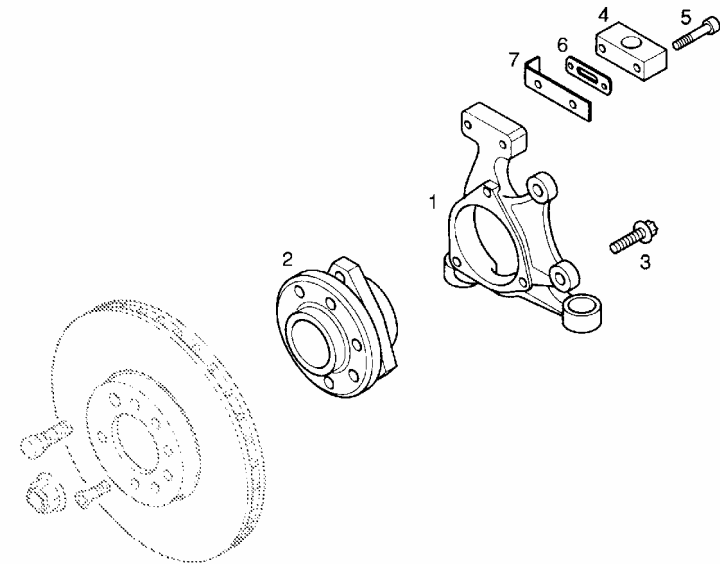
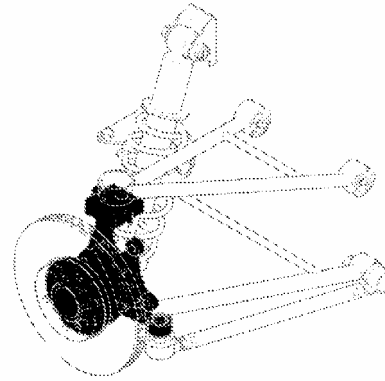


L3

REAR AXLE AND SUSPENSION

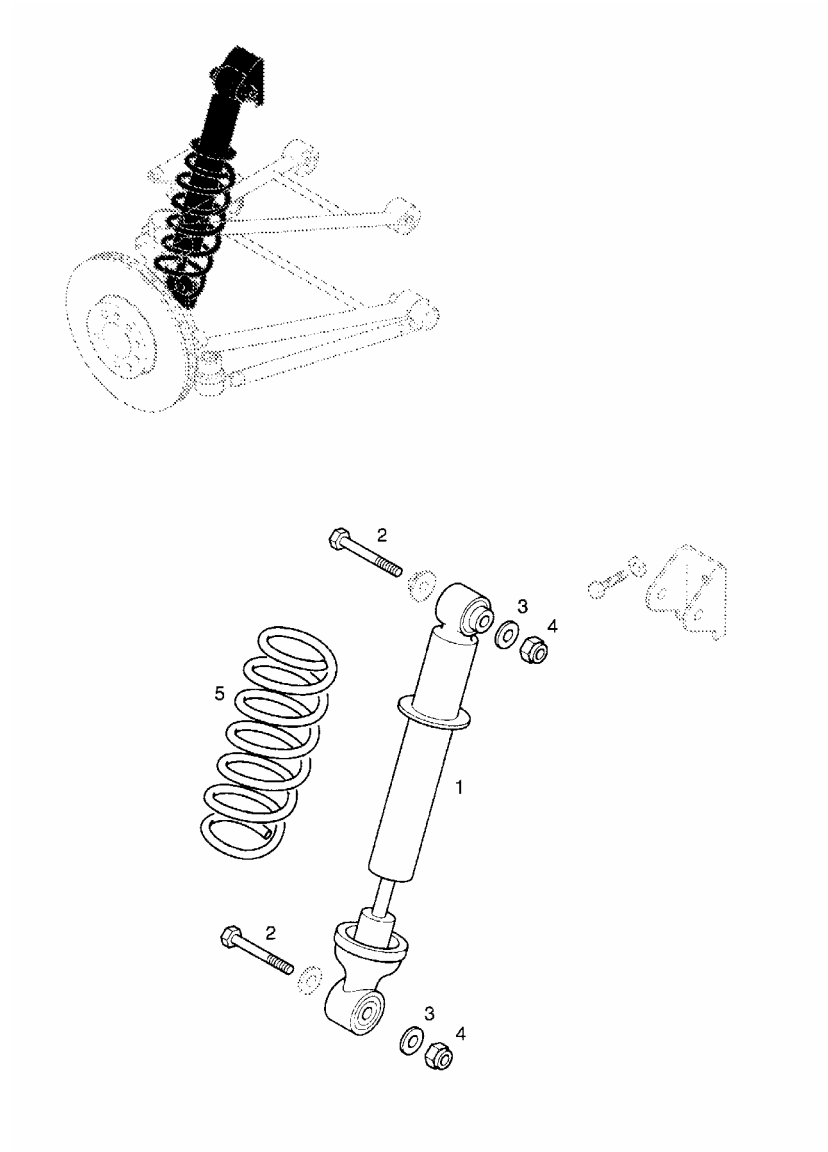


M1 Ref	Part Description	Qty	Part No
REAR HUB			
1	CARRIER. HUB. RH	1	9197861
1	CARRIER. HUB. LH	1	9197860
2	HUB. ASSY.. WITH FLANGE AND BEARING	2	9197863
3	SCREW. HEX.HD.. HUB TO HUB CARRIER	6	9197788
4	CARRIER. BALL JOINT. UPPER	2	9197848
5	SCREW. SOCKET HD.. M10 X 50. BALL JOINT CARRIER TO HUB	4	9197846
6	SHIM. 1MM. CAMBER ADJUSTMENT. BALL JOINT CARRIER TO HUB CARRIER BRACKET	AR	9197850
7	SHIM. CAMBER ADJUSTMENT. BALL JOINT CARRIER TO HUB CARRIER BRACKET	2	9197837



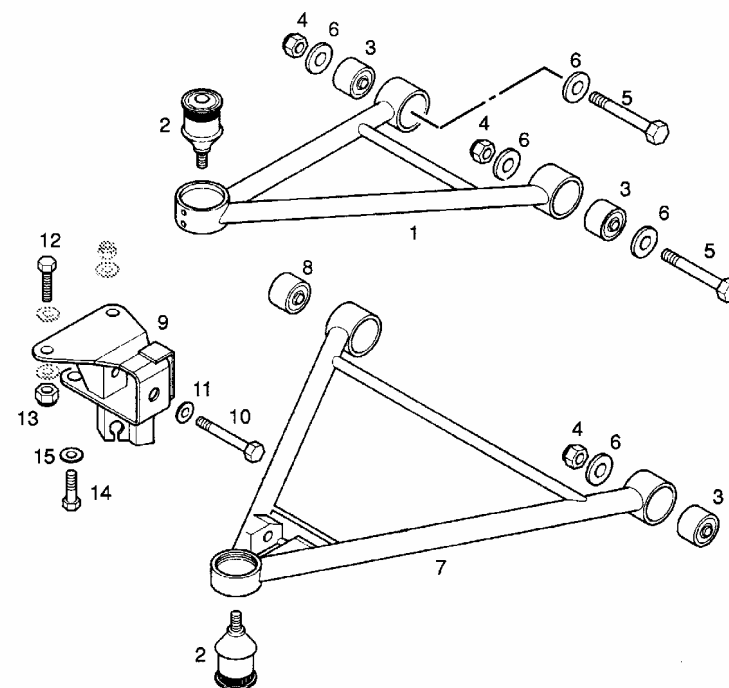
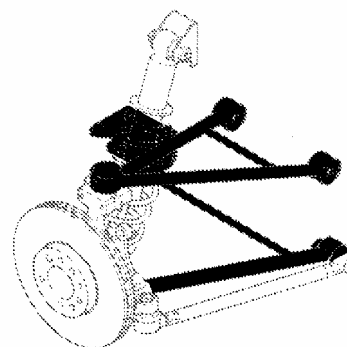
M1

M2	Part			
Ref	Description	Qty	Part No	
REAR SHOCK ABSORBERS				
1	SHOCK ABSORBER. ASSY.. REAR	2	9197851	
2	SCREW. HEX.HD.. M10 X 55. SHOCK ABSORBER FIXING	4	9197831	
3	WASHER. M10 X 20. SHOCK ABSORBER FIXING	4	9198225	
4	NUT. HEX.. SELF LOCKING. M10. SHOCK ABSORBER FIXING	4	9197991	
REAR SPRINGS				
5	SPRING. REAR	2	9197852	



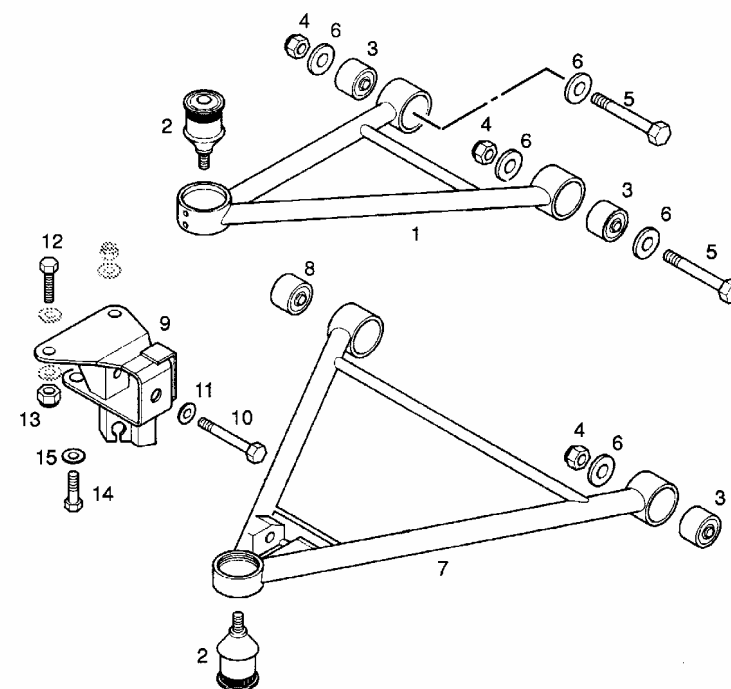
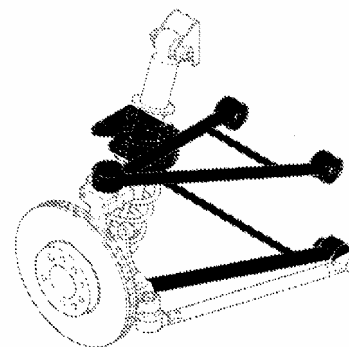
M2

M3 Ref	Part Description	Qty	Part No
REAR WISHBONES			
1	WISHBONE. ASSY.. UPPER. RH	1	9197342
2	-BALL JOINT. ASSY.	1	9197833
3	BUSH. UPPER WISHBONE TO CHASSIS	2	9197832
1	WISHBONE. ASSY.. UPPER. LH	1	9197341
2	-BALL JOINT. ASSY	1	9197833
3	-BUSH. UPPER WISHBONE TO CHASSIS	2	9197832
4	NUT. HEX.. M10. UPPER WISHBONE TO CHASSIS	4	9198086
5	SCREW. HEX.HD.. M10 X 55. UPPER WISHBONE TO CHASSIS	4	9197831
6	WASHER. M10 X 20. UPPER WISHBONE TO CHASSIS	8	9197843
-	SEAL. UPPER WISHBONE. REAR	2	9197747
7	WISHBONE. ASSY.. LOWER. RH	1	9197344
2	-BALL JOINT. ASSY	1	9197833
8	-BUSH. LOWER WISHBONE TO CHASSIS. FRONT	1	9197862
3	-BUSH. UPPER WISHBONE TO CHASSIS. REAR	1	9197832
7	WISHBONE. ASSY.. LOWER. LH	1	9197343
2	-BALL JOINT. ASSY	1	9197833
8	BUSH. LOWER WISHBONE TO CHASSIS. FRONT	1	9197862
3	BUSH. UPPER WISHBONE TO CHASSIS. REAR	1	9197832



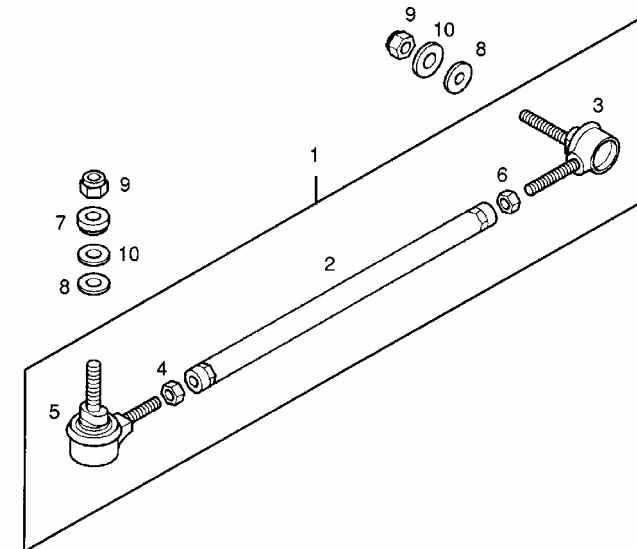
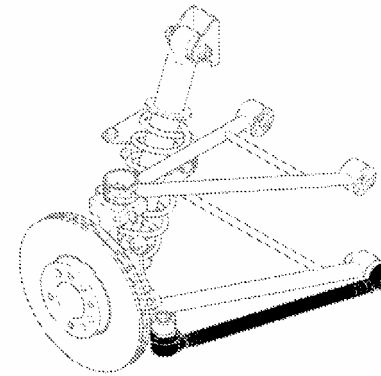
M3

9	BRACKET. LOWER WISHBONE TO CHASSIS. RH	1	9197869
9	BRACKET. LOWER WISHBONE TO CHASSIS. LH	1	9197868
10	SCREW. HEX.HD.. M10 X 70. LOWER WISHBONE TO BRACKET	2	9197038
11	WASHER. M10 X 20. LOWER WISHBONE TO BRACKET	2	9197843
12	SCREW. HEX.HD.. M10 X 25. LOWER WISHBONE BRACKET TO CHASSIS	4	9197842
13	NUT. SELF LOCKING. M10. LOWER WISHBONE BRACKET TO CHASSIS	4	9197991
14	SCREW. HEX.HD.. M8 X 25. LOWER WISHBONE BRACKET TO CHASSIS	10	9197035
15	WASHER. M8 X 21. LOWER WISHBONE BRACKET TO CHASSIS	10	9197753
-	BRACKET. LOWER	1	9197859



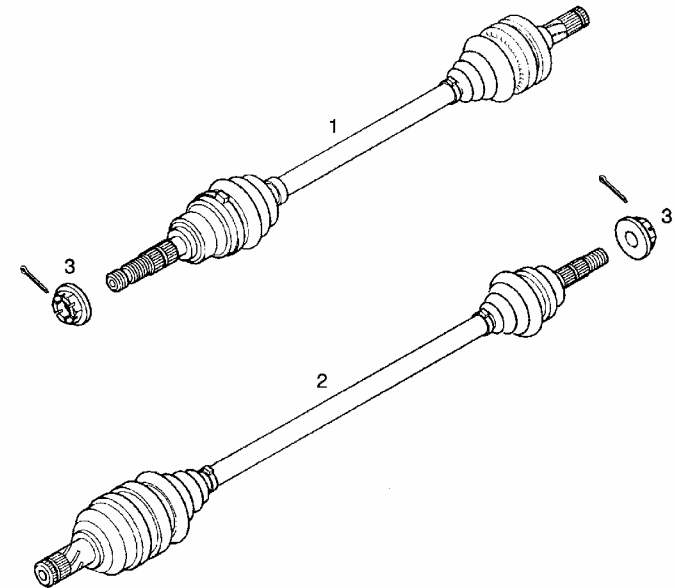
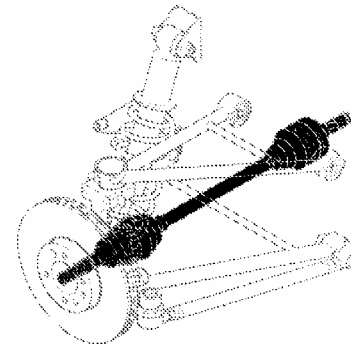
M3

M4 Ref	Part Description	Qty	Part No
TRACK CONTROL ARM			
1	CONTROL ARM. ASSY.. TRACKING	2	9197849
2	-CONTROL ARM. TRACKING	2	9197841
3	-BALL JOINT. TRACK CONTROL. RH THREAD	2	9197838
4	-NUT. LOCKING. M12. TRACK CONTROL BALL JOINT. RH THREAD	2	9197879
5	BALL JOINT. TRACK CONTROL. LH THREAD	2	9197839
6	NUT. LOCKING. M12. TRACK CONTROL BALL JOINT. LH THREAD	2	9197844
7	SPACER. BALL JOINT TO HUB CARRIER	2	9197847
8	SHIM. BALL JOINT TO HUB CARRIER	AR	9197840
9	NUT. HEX.. SELF LOCKING. M10. TRACK CONTROL FIXING	4	9197830
10	WASHER. M10 X 20.5. TRACK CONTROL FIXING	4	9198225



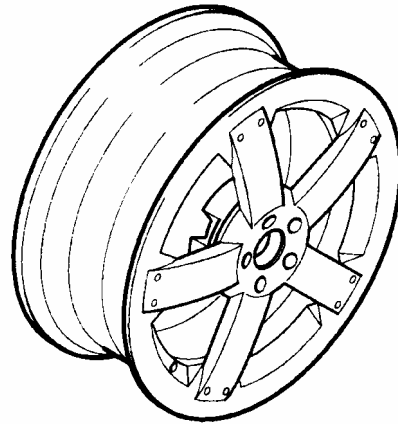
M4

M5 Ref	Part Description	Qty	Part No
REAR AXLE DRIVE SHAFT			
1	SHAFT. ASSY.. AXLE. RH	1	9198268
2	SHAFT. ASSY.. AXLE. LH	1	9198267
3	NUT. DRIVE SHAFT TO WHEEL HUB	2	9198266
-	SHIELD. HEAT. DRIVE SHAFT	1	9198259

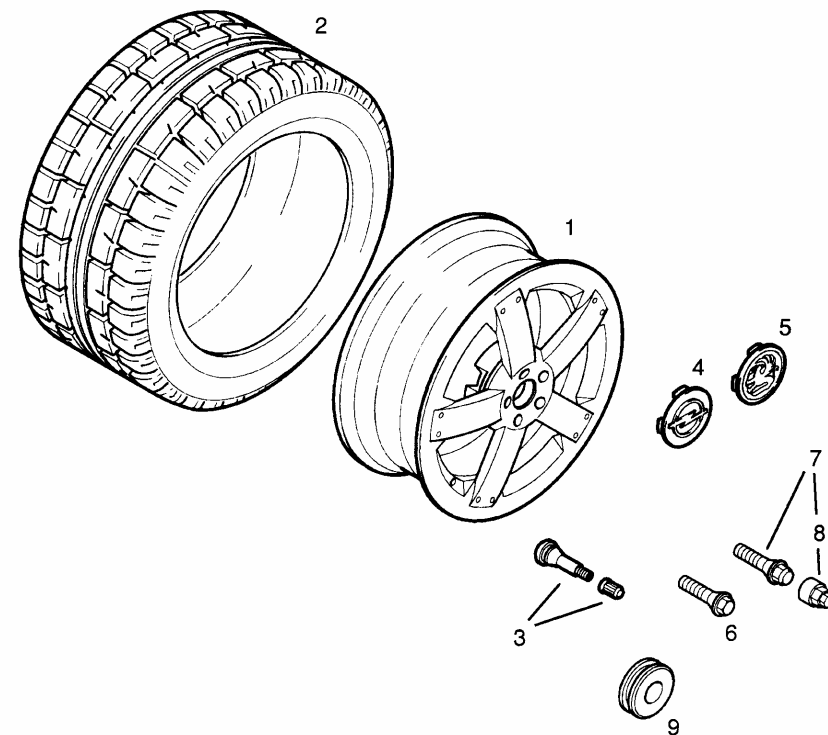


M5

WHEELS

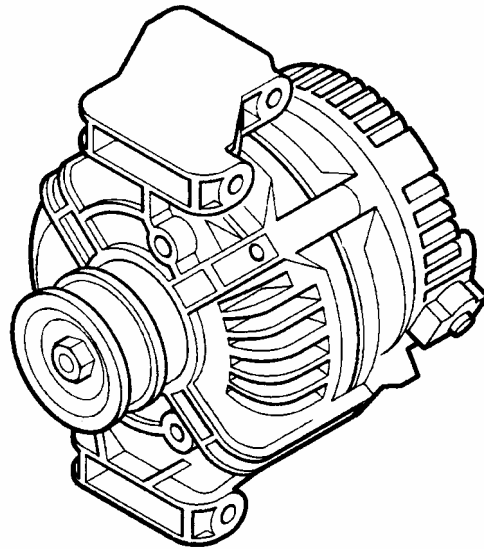


N1 Ref	Part Description	Qty	Part No
ROAD WHEELS			
1	WHEEL. ROAD. FRONT. 5.5J X 17 (ET26)	2	9197982
1	WHEEL. ROAD. REAR. 7.5J X 17 (ET39)	2	9197985
-	WHEEL AND TYRE. ASSY.. FRONT. RH	1	9198260
-	WHEEL AND TYRE. ASSY.. FRONT. LH	1	9198261
-	WHEEL AND TYRE. ASSY.. REAR. RH	1	9198264
-	WHEEL AND TYRE. ASSY.. REAR. LH	1	9198265
TYRE VALVES AND CAPS			
3	VALVE. TYRE	4	9197983
TYRES			
2	TYRE. FRONT. 175/55 R17	2	9197981
2	TYRE. REAR. 225/45 R17	2	9197984
-	AEROSOL. TEMPORARY TYRE REPAIR. 500ML	1	9163326
WHEEL COVERS			
4	COVER. WHEEL HUB. OPEL	4	9197350
5	COVER. WHEEL HUB. VAUXHALL	4	9197853
WHEEL FIXINGS			
6	SCREW. HEX.HD.. M12. WHEEL TO HUB	16	9197978
-	CAP. WHEEL NUT	4	9198263
7	SET. WHEEL LOCKING BOLTS	1	9197315
8	CAP. LOCKING WHEEL BOLT	4	9197283
-	KEY. EXTRACTOR. LOCKING WHEEL BOLT CAP	1	9197278
-	-CAP. PROTECTION. EXTRACTOR KEY	1	9197281
9	GROMMET. EXTRACTOR KEY STOWAGE	1	9197979

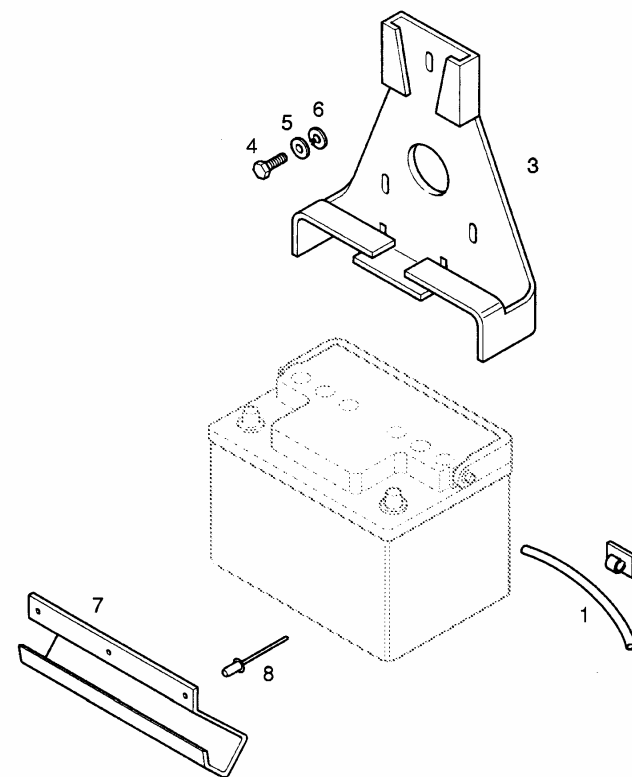
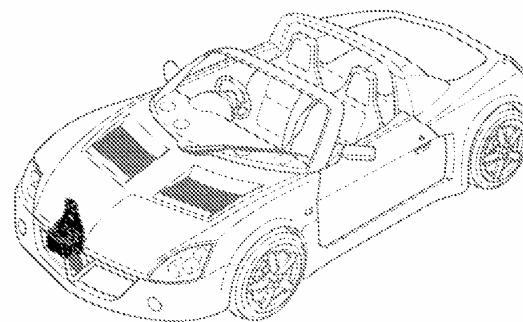


N1

ELECTRICS

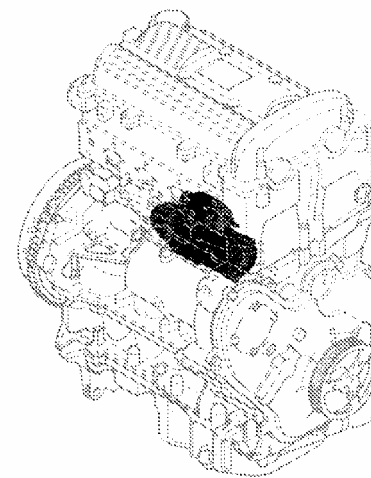


P1 Ref	Part Description	Qty	Part No
BATTERY			
1	HOSE. VENTILATION. 5MM	1	9197625
2	CLIP. VENTILATION HOSE	1	9197626
BATTERY FIXINGS ENGINE AND COOLING			
3	BRACKET. ASSY.. BATTERY AND WINDSCREEN WASHER RESERVOIR	1	9197206
4	SCREW. HEX.HD.. M6 X 16. BATTERY RETAINING BRACKET FIXING	3	9198007
5	WASHER. 6 X 18. BRACKET. BATTERY RETAINING	3	9198154
6	WASHER. SPRING. M6. BATTERY RETAINING	2	9198009
7	PLATE. BATTERY RETAINING	1	9197630
8	RIVET. PLATE FIXING	3	9197745
SPARK PLUG OPEL ENGINE AND COOLING			
-	PLUG. ASSY.. SPARK (AC 41-954)	4	25324618
-	PLUG. ASSY.. SPARK	4	9199038
SPARK PLUG VAUXHALL ENGINE AND COOLING			
-	PLUG. ASSY.. SPARK (AC 41-954)	4	91132099



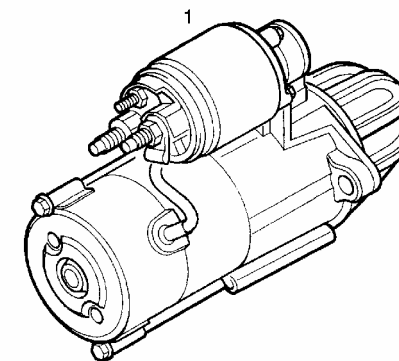
P1

P2 Ref	Part Description	Qty	Part No
STARTER			
1	STARTER. ASSY.	1	12564088
-	-SWITCH. STARTER	1	1114593
-	SET. CARBON BRUSHES. WITH HOLDER	1	10475602
-	-SCREW. FILL.HD.. M5 X 102. STARTER	2	10475638
-	HOUSING. WITH BEARING. FRONT END	1	10484518
-	SCREW. TORX. M10 X 40. STARTER TO CYLINDER BLOCK	2	12564088



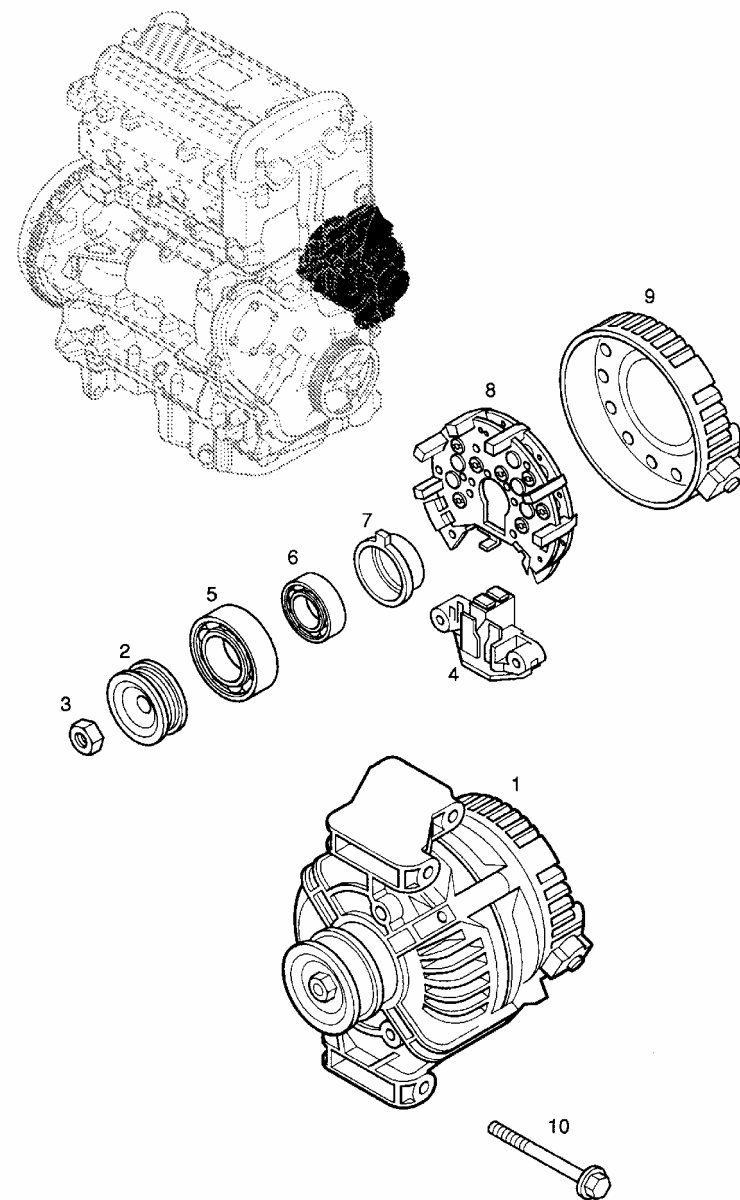
STARTER SWITCH ENGINE AND COOLING

-	PUSH BUTTON. STARTER	1	9197559
---	----------------------	---	---------



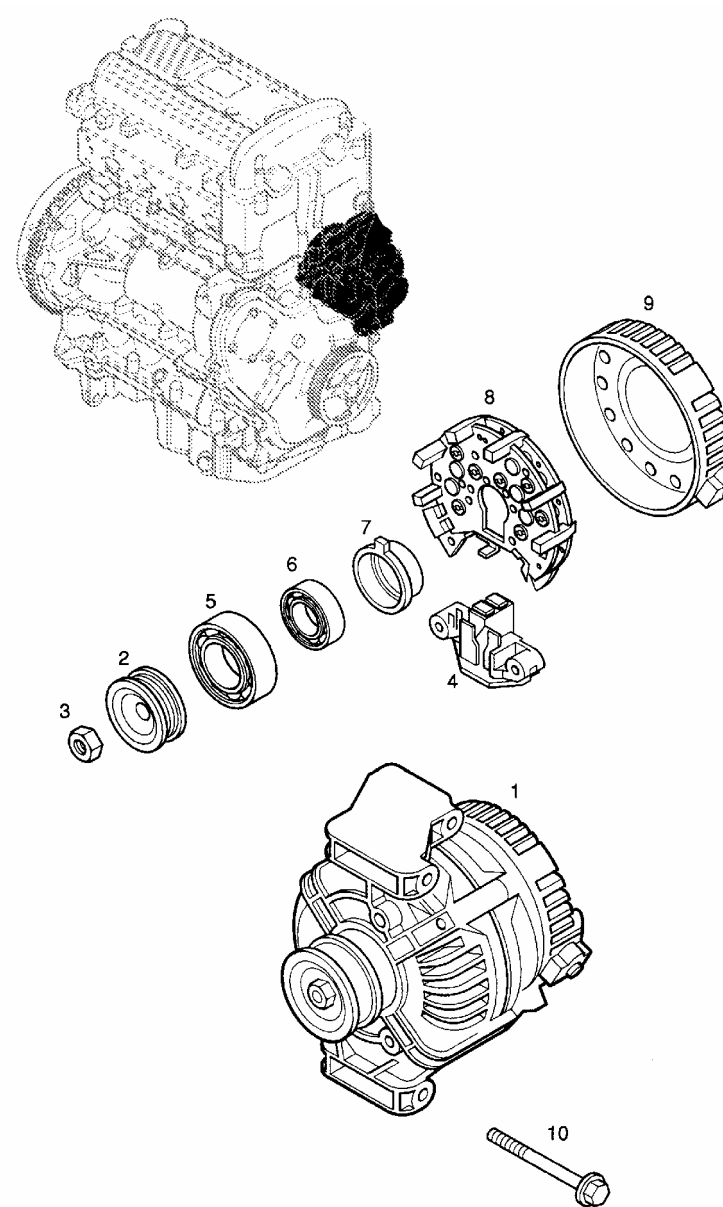
P2

P3 Ref	Part Description	Qty	Part No
	ALTERNATOR		
1	ALTERNATOR. ASSY.. 12V.100 AMP (IDENT UX) (BOSCH 0124415009)	1	9193114
2	-PULLEY. ALTERNATOR (BOSCH F00M991047)	1	9196405
3	-NUT. HEX.. ALTERNATOR PULLEY. M16 X 1.5 (BOSCH 2915039028)	1	93253776
4	-REGULATOR. ASSY.. ALTERNATOR (BOSCH F00M145228)	1	9193765
5	-BEARING. ALTERNATOR. FRONT (BOSCH F00M990410)	1	9117938
6	-BEARING. ALTERNATOR. REAR (BOSCH F00M990405)	1	9117940
7	-RING. ALTERNATOR BEARING. REAR (BOSCH F00M146900)	1	9117939
8	DIODE PLATE. ALTERNATOR (BOSCH F00M123202)	1	9120217
9	-CAP. PROTECTING. ALTERNATOR. REAR (BOSCH F00M146661)	1	9196404
1	ALTERNATOR. ASSY.. 12V.120 AMP (IDENT WW) (BOSCH 0124515033)	1	9193117
2	-PULLEY. ALTERNATOR (BOSCH F00M991047)	1	9196405
3	-NUT. HEX.. ALTERNATOR PULLEY. M16 X 1.5 (BOSCH 2915039028)	1	93253776
4	-REGULATOR. ASSY.. ALTERNATOR (BOSCH F00M145228)	1	9193765
5	-BEARING. ALTERNATOR. FRONT (BOSCH F00M990410)	1	9117938
6	-BEARING. ALTERNATOR. REAR (BOSCH F00M990405)	1	9117940

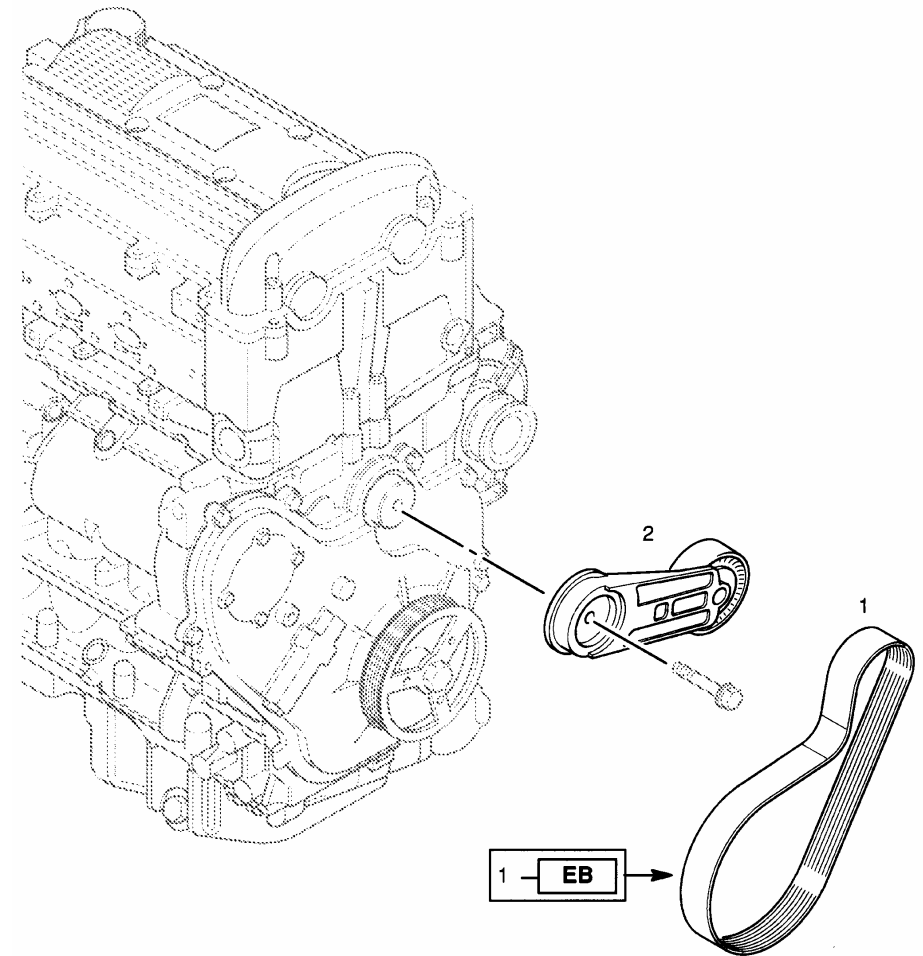


P3

7	-RING. ALTERNATOR BEARING. REAR (BOSCH F00M146900)	1	9117939
8	-DIODE PLATE. ALTERNATOR (BOSCH F00M133200)	1	9117941
9	-CAP. PROTECTING. ALTERNATOR. REAR (BOSCH F00M146661)	1	9196404
ALTERNATOR FITTINGS ENGINE AND COOLING			
10	SCREW. HEX.HD.. M8 X 100. ALTERNATOR TO CYLINDER BLOCK	4	11100951

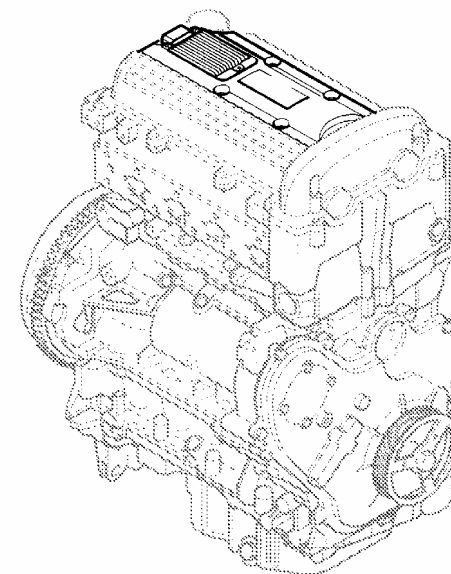
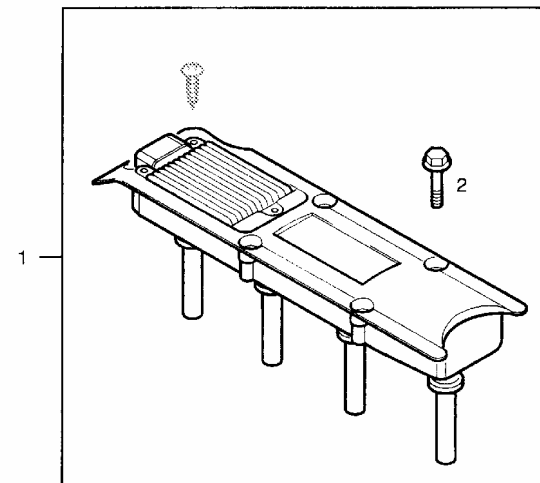


P4 Ref	Part Description	Qty	Part No
DRIVE BELT			
1	BELT. DRIVE. 17.8 X 880. ALTERNATOR (IDENT EB) (OPEL)	1	9201688
1	BELT. DRIVE. 17.8 X 880. ALTERNATOR (IDENT EB) (VAUXHALL)	1	9201723
2	TENSIONER. BELT	1	24430296



P4

P5 Ref	Part Description	Qty	Part No
ELECTRONIC IGNITION CONTROL UNIT			
1	MODULE. IGNITION CONTROL UNIT	1	12569342
2	SCREW. HEX.HD.. M6 X 45. IGNITION CASSETTE TO CYLINDER HEAD COVER	4	11516530
-	COVER. IGNITION CONTROL UNIT. ECOTEC (OPEL)	1	12569314
-	COVER. IGNITION CONTROL UNIT. ECOTEC (VAUXHALL)	1	12569315



P5

P6
Ref

Part
Description

Qty Part No

OIL PRESSURE SWITCH

1 SWITCH. OIL PRESSURE 1 24577642

WATER TEMPERATURE SENSOR

2 SENSOR. WATER TEMPERATURE 1 15326388

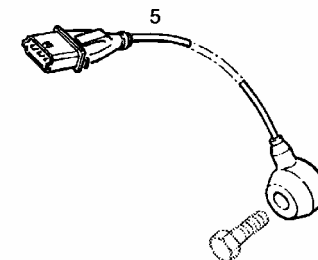
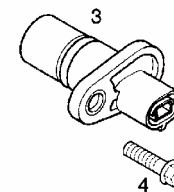
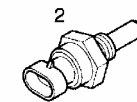
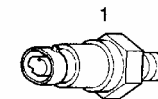
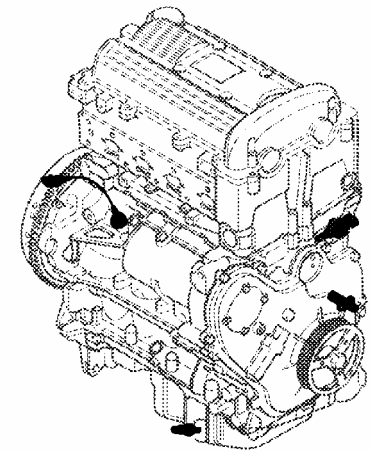
CRANKSHAFT SPEED SENSOR ENGINE AND COOLING

3 SENSOR. CRANKSHAFT REVOLUTIONS 1 24576398

4 SCREW. HEX.HD.. M6 X 20.
CRANKSHAFT SPEED SENSOR TO
CYLINDER BLOCK 1 11516423

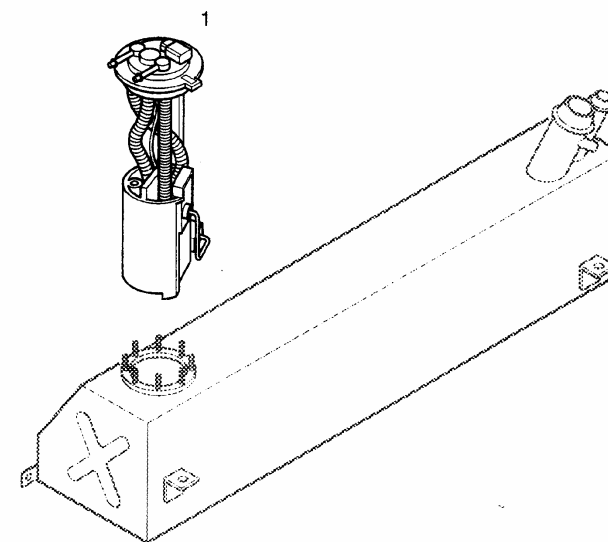
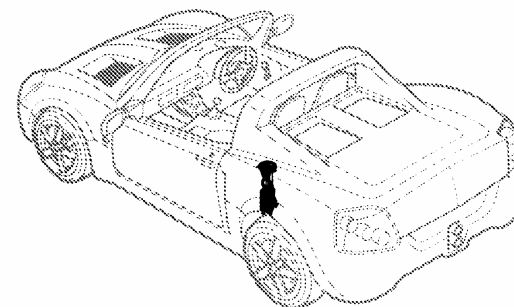
KNOCK LIMIT SENSOR

5 SENSOR. KNOCKING LIMIT.
CYLINDER BLOCK 1 24577244



P6

P7 Ref	Part Description	Qty	Part No
FUEL PUMP			
1	- PUMP. ASSY.. FUEL. ELECTRICAL (WITH SENDER)	1	9198046
	SWITCH. INERTIA. FUEL CUT OFF	1	9197598
	- BRACKET. FUEL CUT OFF SWITCH	1	9197434
CATALYTIC CONVERTER SENSOR			
	- SENSOR. OXYGEN. CATALYTIC CONVERTER	1	12565428
	- SEAL. RING. M18 X 1.5. CATALYTIC CONVERTOR SENSOR TO FRONT EXHUST PIPE	2	90231066
FUEL INJECTION CONTROL UNIT			
	- UNIT. ELECTRONIC CONTROL. FUEL INJECTION SYSTEM(PROGRAMME MEMORY)	1	12202143
	- SCREW. HEX.HD.. M6 X 20. CONTROL UNIT TO INDUCTION MANIFOLD	4	11517518
	- SCREW. HEX.HD.. CONTROL UNIT MOUNTING	3	9197477
	INDUCTION MANIFOLD VACUUM FUEL AND EXHAUST SENSOR		
	- SENSOR. VACUUM. INLET MANIFOLD	1	16212460
AXLE SPEED SENSOR			
-	SHIM. AXLE SPEED SENSOR TO HUB CARRIER. FRONT	2	9197094



P7

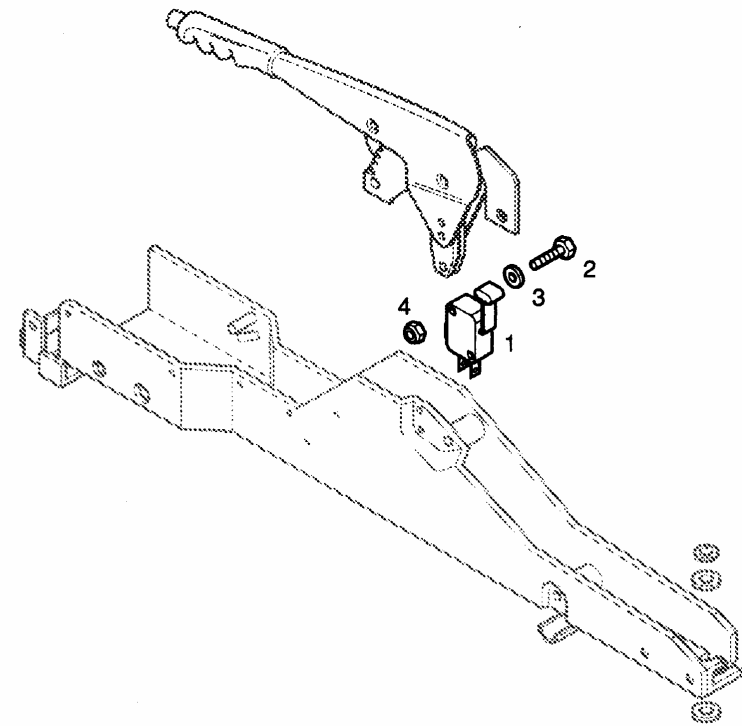
P8 Ref	Part Description	Qty	Part N o
--------	------------------	-----	----------

HANDBRAKE WARNING LIGHT SWITCH

1	SWITCH. ASSY.. HANDBRAKE WARNING LIGHT	1	9197968
2	SCREW. RD.HD.. M3 X 16. HANDBRAKE WARNING LIGHT SWITCH	2	9197959
3	WASHER. 3 X 7. HANDBRAKE WARNING LIGHT SWITCH	2	9197962
4	NUT. HEX.. SELF LOCKING. M3. HANDBRAKE WARNING LIGHT SWITCH	2	9197958

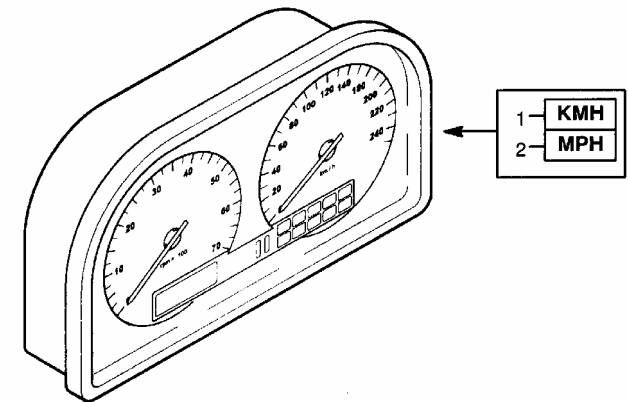
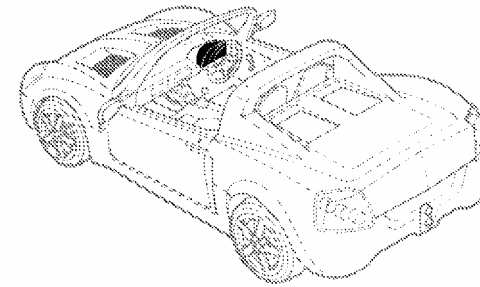
STOP LAMP SWITCH

-	SWITCH. STOP LAMP	1	9197391
-	BUSH. SWITCH FIXING	1	9197392



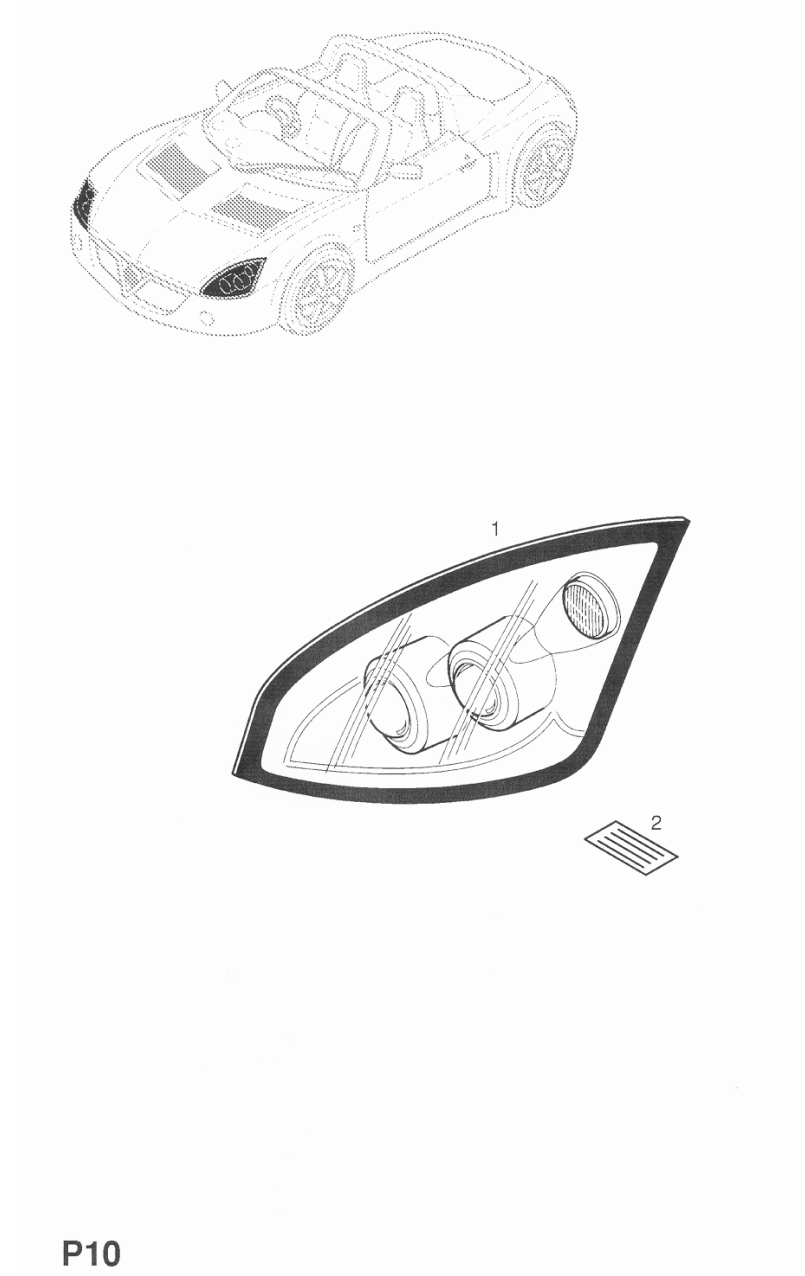
P8

P9 Ref	Part Description	Qty	Part No
INSTRUMENTS			
1	INSTRUMENT. ASSY.. COMBINED. KMH	1	9197573
2	INSTRUMENT. ASSY.. COMBINED. MPH	1	9197572

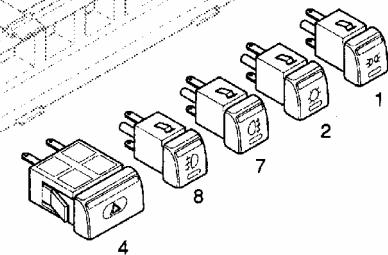
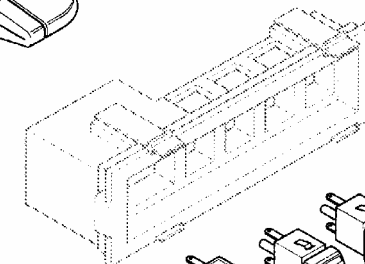
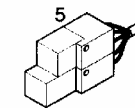
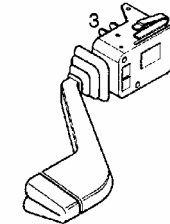
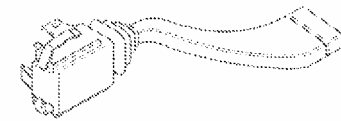
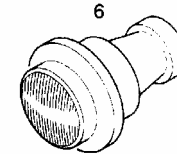
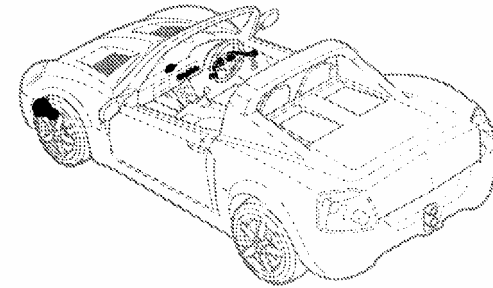


P9

P10 Ref	Part Description	Qty	Part No
HEADLAMPS			
1	HEADLAMP. ASSY.. WITH TURN SIGNAL LAMP. RH. LHD	1	9197590
1	HEADLAMP. ASSY.. WITH TURN SIGNAL LAMP. LH. LHD	1	9197591
1	HEADLAMP. ASSY.. WITH TURN SIGNAL LAMP. RH. RHD	1	9197588
1	HEADLAMP. ASSY.. WITH TURN SIGNAL LAMP. LH. RHD	1	9197589
2	LABEL. WARNING. HEADLAMP LEVELING	1	9197733
HEADLAMP FITTINGS			
-	NUT. HEX.. SELF LOCKING. M8. HEADLAMPS	2	9197871
-	WASHER. M8 X 16.6. HEADLAMPS	2	9198224

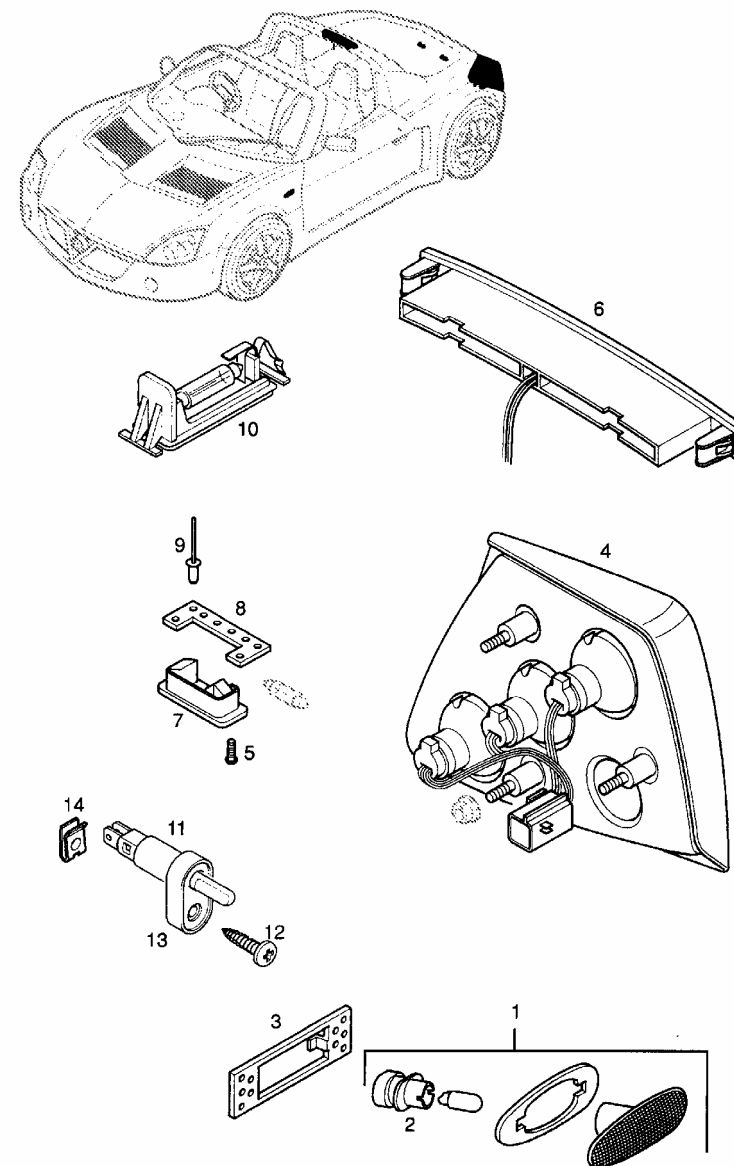


P11 Ref	Part Description	Qty	Part No
LIGHTING SWITCH			
1	SWITCH. ASSY.. LIGHTING. SIDELAMPS	1	9197562
2	SWITCH. ASSY.. LIGHTING. HEADLAMPS	1	9197561
-	SWITCH. DIMMING. INSTRUMENT ILLUMINATION LAMPS AND TRIP SET	1	9197565
MULTI-PURPOSE SWITCH			
3	SWITCH. ASSY.. TURN SIGNAL LAMP/ HEADLAMP FULL AND DIPPED BEAM	1	9197557
HAZARD WARNING SWITCH			
4	SWITCH. ASSY.. HAZARD WARNING	1	9197564
FLASHER UNIT			
5	UNIT. FLASHER	1	9197551
FRONT FOG LAMP AND FIXINGS			
6	LAMP. ASSY.. FRONT FOG	2	9197583
-	BRACKET. FOG LAMP. FRONT. RH	1	9197010
-	BRACKET. FOG LAMP. FRONT. LH	1	9197009
-	SCREW. M5 X 12. BRACKET FIXING	8	9198025
-	WASHER. 3/16 X 1/2. BRACKET RETAINING	8	9197743
FRONT FOG LAMP SWITCH			
7	SWITCH. ASSY.. FRONT FOG LAMP	1	9197566
	REAR FOG LAMP SWITCH EXTERIOR LIGHTING		
8	SWITCH. ASSY.. REAR FOG LAMP	1	9197560



P11

P12 Ref	Part Description	Qty	Part No
SIDE REPEATER LAMP AND FIXINGS			
1	LAMP. ASSY.. SIDE REPEATER	2	90487599
2	SOCKET. BULB. SIDE REPEATER LAMP	2	90486250
3	BRACKET. SIDE REPEATER LAMP MOUNTING	2	9197581
REAR LAMP AND FIXINGS EXTERIOR LIGHTING			
4	LAMP. ASSY.. REAR. RH. LHD	1	9197586
4	LAMP. ASSY.. REAR. LH. LHD	1	9197587
4	LAMP. ASSY.. REAR. RH. RHD	1	9197584
4	LAMP. ASSY.. REAR. LH. RHD	1	9197585
5	SCREW. RD.HD.. 6 X 3/4. REAR LAMP FIXING	4	9197592
-	NUT. M5. REAR LAMP	8	9198054
-	WASHER. REAR LAMP. 5 X 10	8	9198055
-	WASHER. REAR LAMP. 3/16 X 1/2	16	9197743
ADDITIONAL BRAKE LAMP			
6	LAMP. ASSY.. ADDITIONAL BRAKE REAR NUMBER PLATE LAMP AND EXTERIOR LIGHTING FIXINGS	1	9197582
7	LAMP. ASSY.. REAR NUMBER PLATE	2	90213642
8	PLATE. BASE. REAR NUMBER PLATE LAMP. RH	1	9197575
8	PLATE. BASE. REAR NUMBER PLATE LAMP. LH	1	9197091
5	SCREW. RD.HD.. 6 X 3/4. LAMP FIXING	4	9197592
9	RIVET. PLATE FIXING. 3.2 X 11.5	4	9197709



P12

ROOF LAMP AND FITTINGS

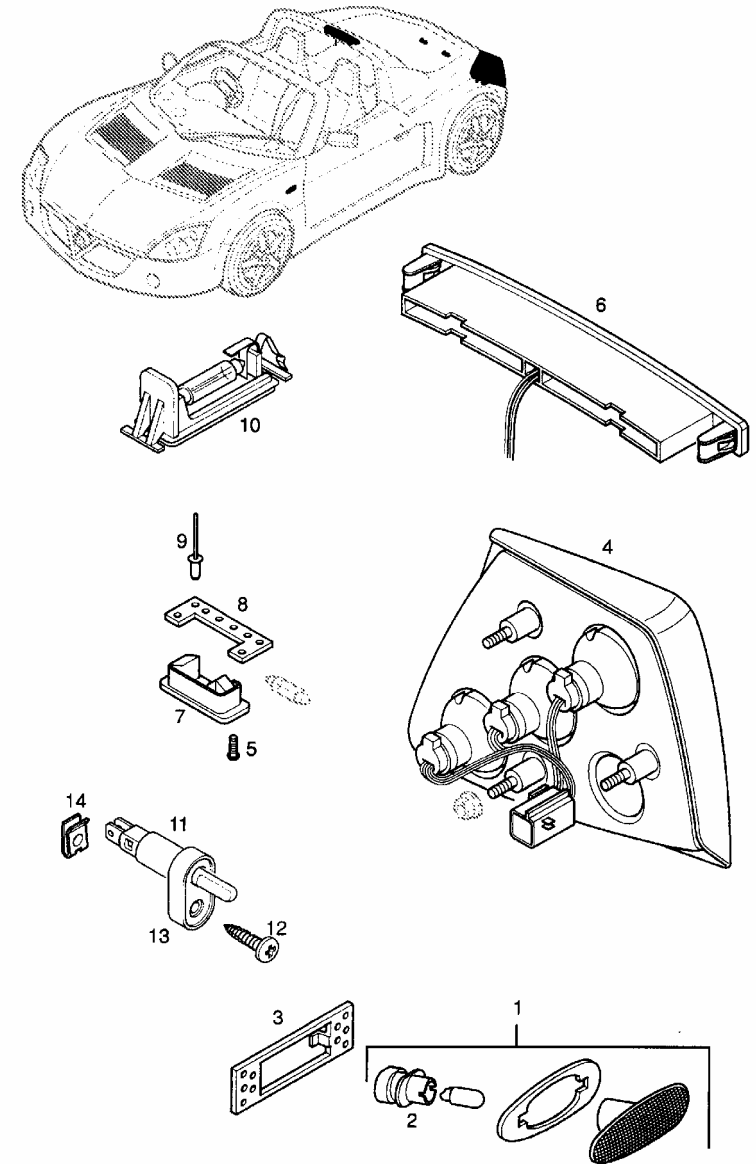
10	LAMP. ASSY.. INTERIOR	1	9197593
	DOOR LAMP SWITCH INTERIOR LIGHTING		
11	SWITCH. CONTACT. INTERIOR LAMP	2	9197594
12	SCREW. RD.HD.. 6 X 3/4. SWITCH FIXING	2	9197592
13	SPACER. 15 X 6 X 2.4. INTERIOR LAMP SWITCH	2	9197595
14	CLIP. NUT. INTERIOR LAMP SWITCH	2	9197596

DOOR HARNESS

-	HARNESS. ASSY.. DOOR	2	9197536
-	CLIP. HARNESS CONNECTOR TO DASH PANEL	2	9197531

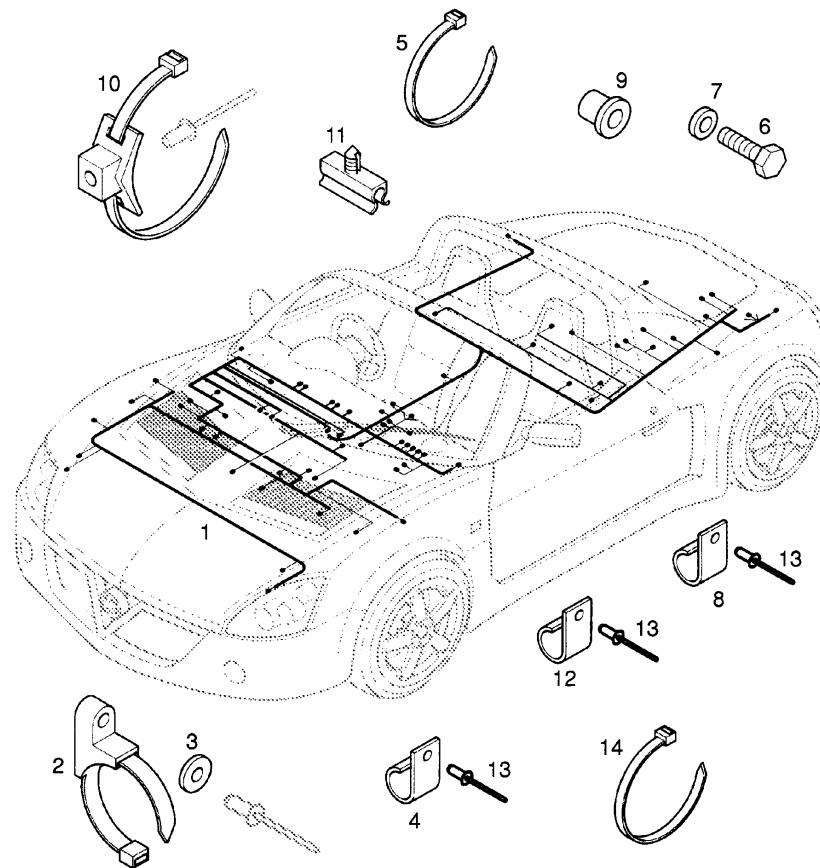
FRONT BODY WIRING HARNESS

-	'P'CLIP. HARNESS TO RADIATOR HOUSING	2	9197215
-	WASHER. 5 X 10. CLIP TO RADIATOR HOUSING	2	9198055
-	SCREW. HEX.HD.. M8 X 20. GROUND CABLE TO CHASSIS	1	9198107
-	BRACKET. HARNESS TO CLAMSHELL. FRONT	2	9197190
-	BRACKET. HARNESS TO CLAMSHELL.	2	9197563
-	WASHER. 3/8 X 1/8. HARNESS TO CLAMSHELL. FRONT	4	9197703
-	RIVET. BLIND. 3.2 X 11.5. HARNESS TO CLAMSHELL. FRONT	4	9197709
-	SCREW. HEX.HD.. M8 X 30. GROUND CABLE TO CHASSIS	1	9197920



P12

P13 Ref	Part Description	Qty	Part No
MAIN WIRING HARNESS			
1	HARNESS. ASSY.. MAIN WIRING. BODY	1	9197546
2	CLIP. WITH STRAP. HARNESS TO BODY	9	9197669
3	WASHER. 10 X 5. HARNESS TO BODY	8	9198055
4	'P'CLIP. HARNESS TO RADIATOR DUCT	3	9197215
5	STRAP. RETAINING. 273MM. HARNESS TO BODY	13	9198201
6	SCREW. HEX.HD.. M6 X 12. HARNESS TO AIR CLEANER SUPPORT	2	9197528
7	WASHER. 12.1 X 6. HARNESS TO AIR CLEANER SUPPORT	1	9198223
8	'P'CLIP. HARNESS TO FUEL TANK PANEL	1	9197530
9	INSERT. THREADED. M4. HARNESS TO FUEL TANK PANEL	2	9197569
10	CLIP. HARNESS TO CROSSMEMBER. FRONT	1	9197626
11	DUCT. HARNESS TO HANDBRAKE CHANNEL	1	9197535
12	'P'CLIP. HARNESS TO FRONT FLOOR TUNNEL MOUNTING BRACKET	3	9197568
13	RIVET. BLIND. 3/16 X 7/16. HARNESS TO BODY	12	9197745
14	STRAP. RETAINING. 273MM. ABS SENSOR WIRE	8	9198201
14	STRAP. RETAINING. 273MM. LUGGAGE COMPARTMENT CONNECTOR SWITCH	1	9198201

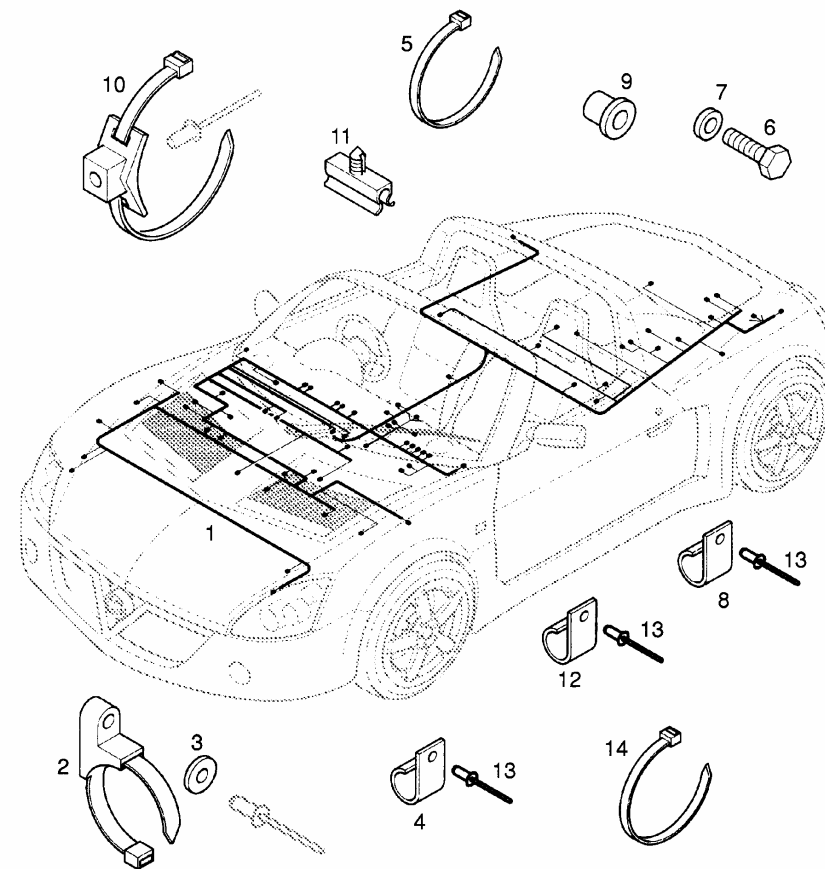


ENGINE WIRING HARNESS

-	HARNESS. ASSY.. ENGINE	1	9197545
---	------------------------	---	---------

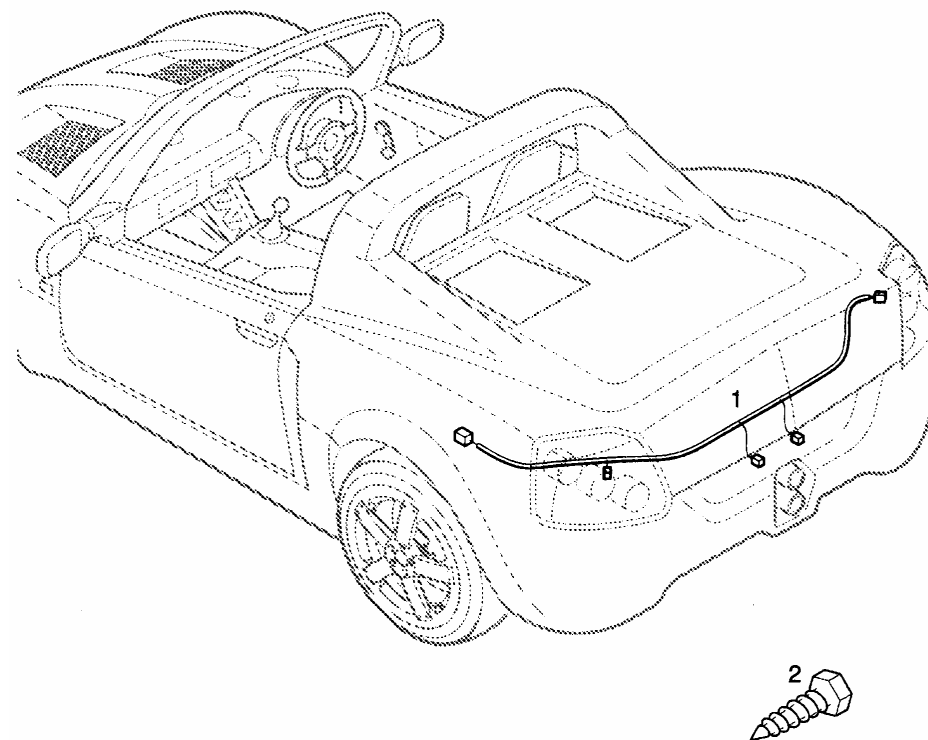
P13

- SCREW. HEX.HD.. M6 X 13. EARTH
CABLE TO CYLINDER HEAD 1 11517517
- STRAP. RETAINING. 273MM.
ALTERNATOR HARNESS 1 9198201
- CLIP. HARNESS CONNECTOR 2 9197538
- CAP. DIAGNOSTIC PLUG 1 9197539
- NUT. HARNESS TO STARTER 2 9197827
- WASHER. LOCK. 8MM. HARNESS TO
STARTER 2 9197388
- CLIP. HARNESS TO COOLANT
BRACKET 1 9197662
- WASHER. HARNESS TO COOLANT
BRACKET 1 9198055
- RIVET. BLIND. HARNESS TO
COOLANT BRACKET 1 9197668
- STRAP. RETAINING. 273MM. HARNESS
TO AIR CLEANER INLET HOSE 1 9198201
- WASHER. LOCK. 5.3 X 11. HARNESS
TO STARTER 1 11029901
- NUT. HEX.. M5. ENGINE HARNESS TO
STARTER 1 11096392



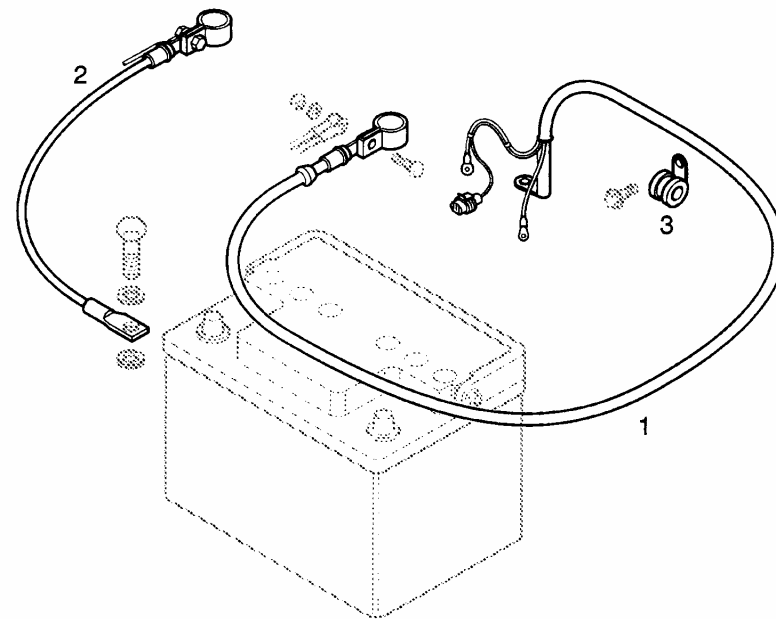
P13

P14 Ref	Part Description	Qty	Part No
REAR BODY WIRING HARNESS			
1	HARNESS. ASSY.. REAR BODY	1	9197544
2	SCREW. HEX.HD.. M8 X 20. GROUND CABLE TO CHASSIS	1	9198107
-	SCREW. HEX.HD.. M8 X 30. GROUND CABLE TO CHASSIS	1	9197920
FOGLAMP HARNESS			
-	HARNESS. ASSY.. FRONT FOGLAMP	1	9198121
-	GROMMET. BLANKING. FOGLAMP HARNESS	2	9198200
-	STRAP. RETAINING. 273MM. FOGLAMP HARNESS. REAR	2	9198201
RADIATOR BLOWER FAN HARNESS			
-	GROMMET. 32MM. HARNESS TO RADIATOR HOUSING	1	9198200
ADDITIONAL BRAKE LAMP WIRING HARNESS			
-	HARNESS. ASSY.. ADDITIONAL BRAKE LAMP	1	9197685



P14

P15 Ref	Part Description	Qty	Part No
BATTERY LEADS CABLES			
1	CABLE. ASSY.. BATTERY - POSITIVE	1	9197634
2	CABLE. ASSY.. BATTERY - NEGATIVE. RHD	1	9197627
2	CABLE. ASSY.. BATTERY - NEGATIVE. LHD	1	9197632
-	POST. BINDING. BATTERY CABLE. NEGATIVE	1	9197624
3	CLIP. POSITIVE CABLE TO CHASSIS	4	9197669
-	STRAP. RETAINING. 273MM. POSITIVE CABLE TO CHASSIS	4	9198201
-	STRAP. RETAINING. 273MM. POSITIVE CABLE TO CLUTCH HOSE	1	9198201
-	STRAP. RETAINING. POSITIVE CABLE TO WATER RAIL	6	9198135
-	CLIP. POSITIVE CABLE TO WATER RAIL	6	9198136
-	NUT. RIVET. M8. GROUND CABLE TO CHASSIS	6	9197755
-	WASHER. M8 X 16. 6. GROUND CABLE TO CHASSIS	2	9198224
-	SPACER. GROUND CABLE TO CHASSIS	2	9197631
-	NUT. HEX.. SELF LOCKING. M6. BATTERY CABLE	3	9198220
-	WASHER. 6 X 12.1. BATTERY CABLE	3	9198223
ENGINE EARTHING CABLE CABLES			
-	CABLE. ENGINE EARTHING	1	9197628
-	STUD. EARTH CABLE TO CYLINDER HEAD	1	90537463



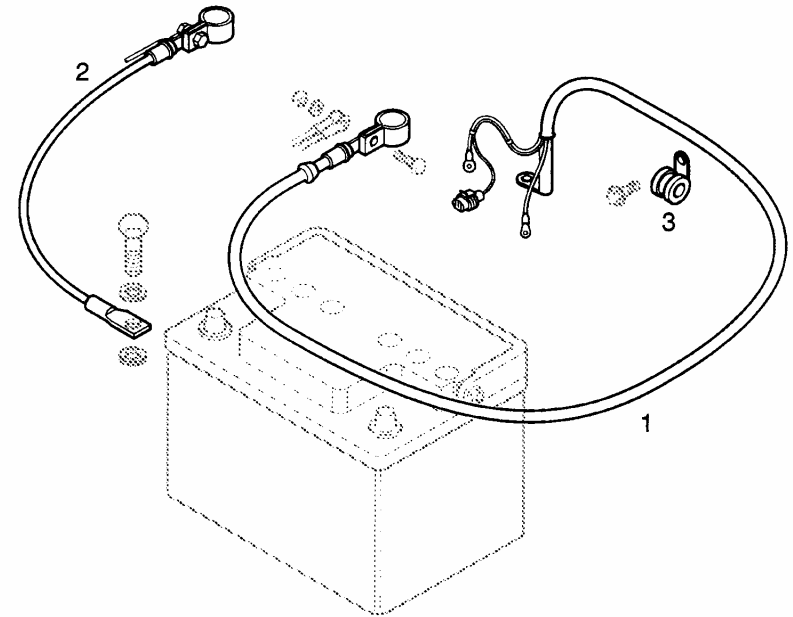
P15

FUSE BOX

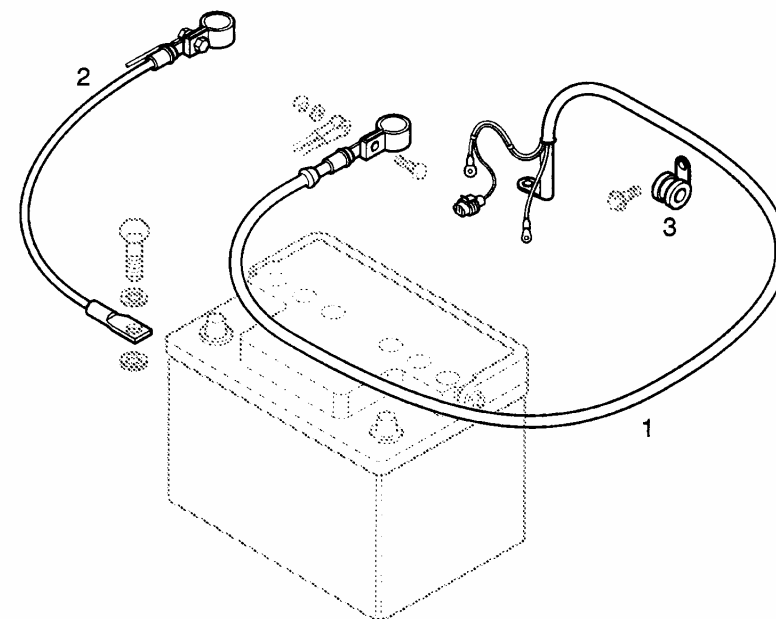
-	SCREW. RD.HD.. M5 X 16. FUSE BOX TO WHEELHOUSE LINER. LH	3	9197708
-	WASHER. 3/4 X 3/16. FUSE BOX TO WHEELHOUSE LINER. LH	3	9198016
-	SCREW. HEX.HD.. M5 X 50. FUSE BOX TO WHEELARCH	2	9197550
-	NUT. SPECIAL. M5. FUSE BOX TO WHEELARCH	2	9197548
-	WASHER. 10 X 5. FUSE BOX TO WHEELARCH	2	9198055
-	SPACER. FUSE BOX	2	9197555
-	BRACKET. MAXI FUSE HOLDER	2	9197040
-	BRACKET. MAXI FUSE HOLDER	2	9197537
-	SCREW. RD.HD.. M5 X 16. FUSE HOLDER TO BRACKET	2	9197708
-	WASHER. 10 X 5. FUSE HOLDER TO BRACKET	2	9198055
-	SCREW. RD.HD.. M5 X 16. MAXI FUSE	2	9197708
-	BRACKET. FUSE HOLDER. FUEL PUMP	1	9197537
-	SCREW. RD.HD.. M5 X 16. FUEL PUMP FUSE	1	9197708
-	SCREW. RD.HD.. M5 X 16. ENGINE RELAYS TO BRACKET	2	9197708
-	RIVET. NUT. M5. ENGINE RELAYS TO BRACKET	2	9197770

RELAY BOX

-	SCREW. RD.HD.. M6 X 25. RELAY BOX TO WHEELARCH	2	9197547
-	NUT. SPECIAL. M6. FUSE BOX TO WHEELARCH	2	9197548

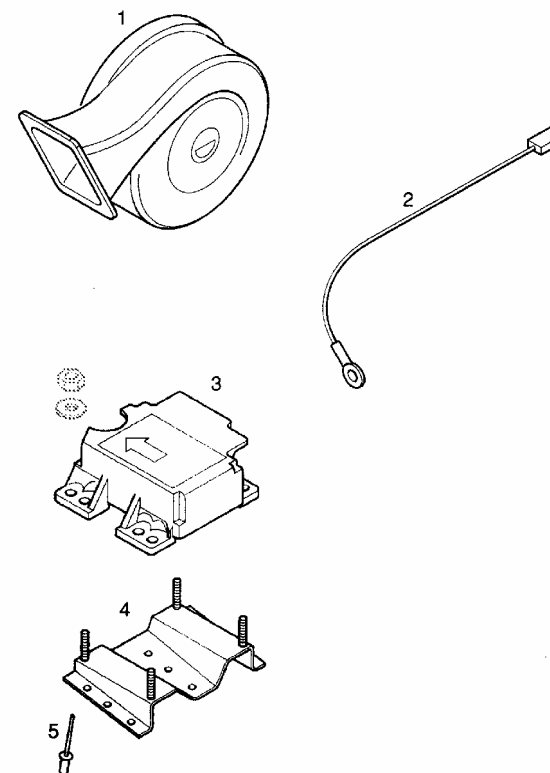
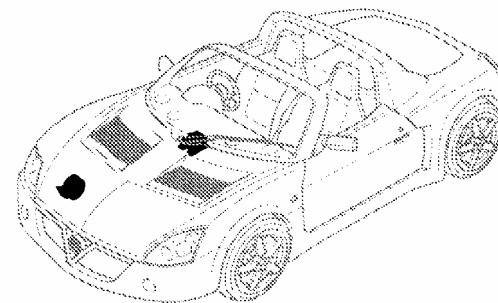


-	WASHER. 15 X 6. FUSE BOX TO WHEELARCH	2	9198128
-	WASHER. 10 X 5. RELAY BOX TO BRACKET	1	9198055
	RELAYS FUSES AND RELAYS		
-	RELAY. STARTER. 30 AMP (BOSCH 0332209159)	1	9197554
-	RELAY. FUEL PUMP. 30 AMP (BOSCH 0332209159)	1	9197554
-	RELAY. IGNITION. 30 AMP (BOSCH 0332209159)	1	9197554
-	RELAY. HEADLAMP. 30 AMP (BOSCH 0332209159)	1	9197554
-	RELAY. HORN. 30 AMP (BOSCH 0332209159)	1	9197554
-	RELAY. RADIATOR FAN. 30 AMP (BOSCH 0332209159)	1	9197554
-	RELAY. FOGLAMP. REAR (BOSCH 0332207300)	1	90511443
-	RELAY. DELAY. WINDSCREEN WIPER	1	90069864



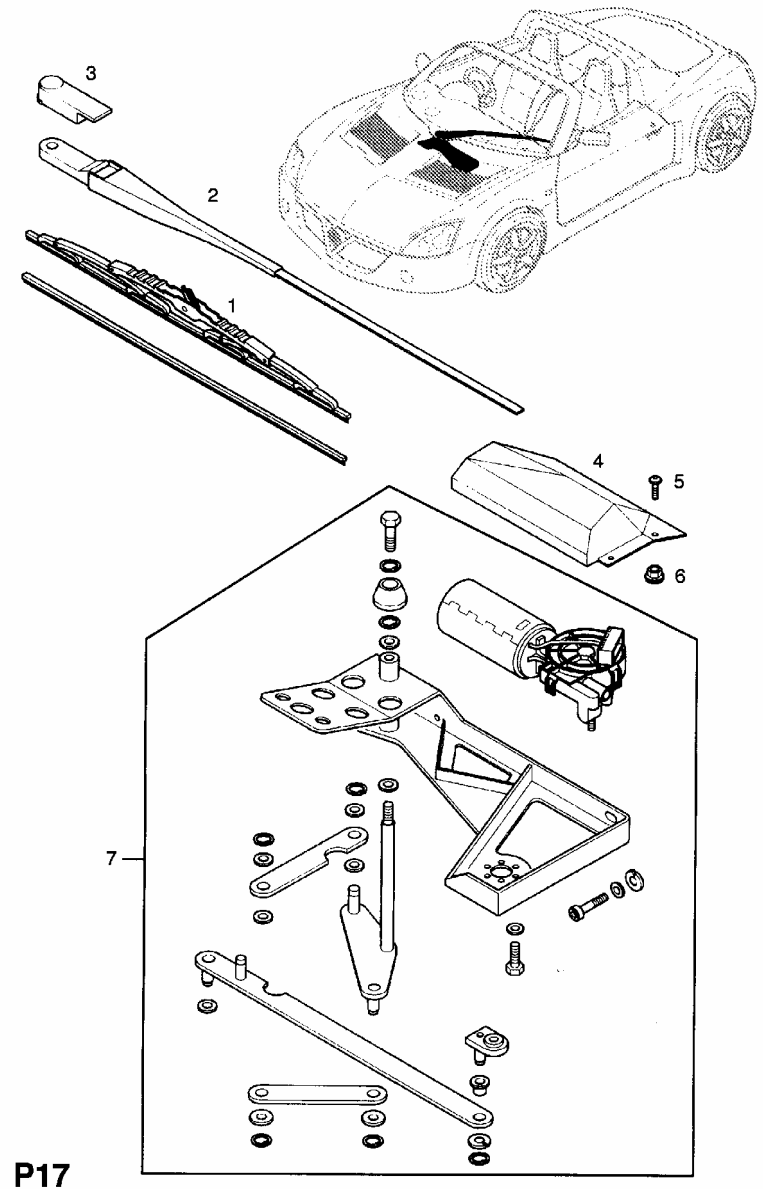
P15

P16 Ref	Part Description	Qty	Part No
	HORN AND FITTINGS		
1	HORN. ASSY.. LOW NOTE	1	9197552
	HORN CONTACT		
2	STRAP. EARTH	1	15303060
	AIR BAG CONTROL UNIT		
3	CONTROL UNIT. AIR BAG	1	9197623
4	BRACKET. CONTROL UNIT	1	9197223
5	RIVET. BLIND. BRACKET TO CHASSIS	9	9197767
-	SCREW. M6 X 10. AIR BAG CONTROL UNIT FIXING	2	9197471



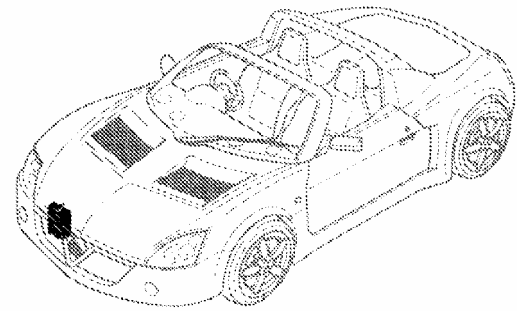
P16

P17 Ref	Part Description	Qty	Part No
	WINDSCREEN WIPER		
1	BLADE. WINDSCREEN WIPER	1	9197605
2	ARM. WINDSCREEN WIPER	1	9197615
3	CAP. WIPER ARM	1	9197603
4	COVER. WINDSCREEN WIPER MOTOR. LHD	1	9197616
4	COVER. WINDSCREEN WIPER MOTOR. RHD	1	9197609
5	SCREW. RD.HD.. MOTOR COVER FIXING	2	9197600
6	NUT. SPRING. MOTOR COVER FIXING	2	9197601
7	WINDSCREEN WIPER. ASSY.. WITH MOTOR AND LINKAGE. LHD	1	9197617
7	WINDSCREEN WIPER. ASSY.. WITH MOTOR AND LINKAGE. RHD	1	9197614
-	SCREW. SOCKET HD.. M8 X 20. WIPER UNIT TO BULKHEAD	3	9197610
-	WASHER. M8 X 16.6. WIPER UNIT TO BULKHEAD	3	9198224
-	WASHER. SPRING. M8. WIPER UNIT TO BULKHEAD	3	9198227

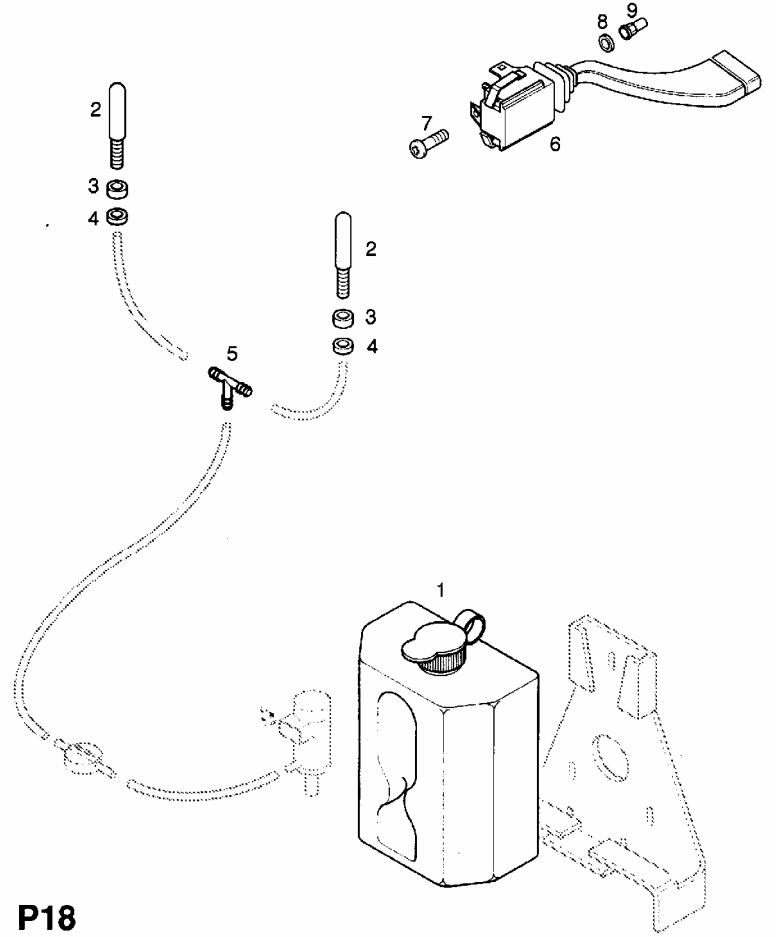


P17

P18 Ref	Part Description	Qty	Part No
WINDSCREEN WASHER			
1	RESERVOIR. ASSY.. WINDSCREEN WASH	1	9197608
2	NOZZLE. WINDSCREEN WASH	2	9197602
3	SEAL. SLEEVE. WINDSCREEN WASHER NOZZLE	2	9197604
4	SPACER. RING. WINDSCREEN WASHER NOZZLE	2	9197607
5	TEE - PIECE. WINDSCREEN WASHER HOSE	1	9197606

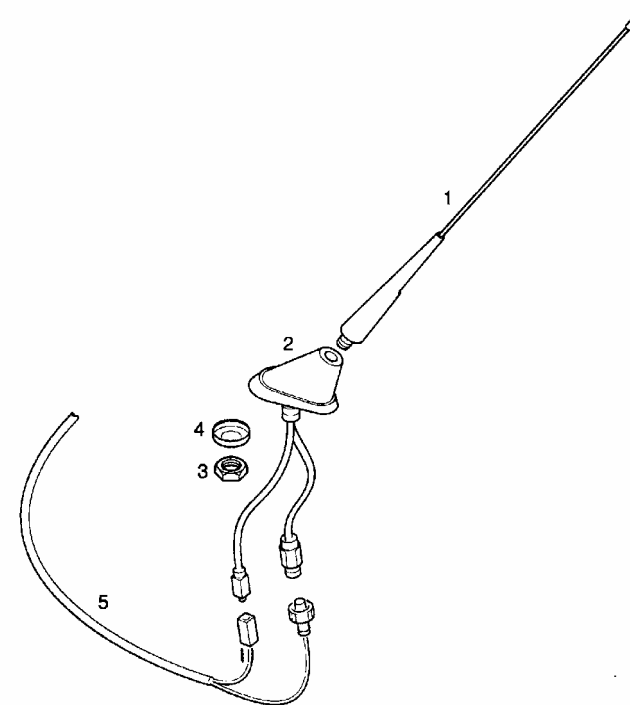
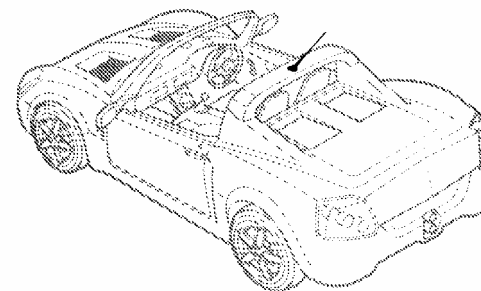


WINDSCREEN WIPER AND WASHER SWITCH			
6	SWITCH. ASSY.. WINDSCREEN WIPER AND WASHER	1	90243394
7	SCREW. RD.HD.. M5 X 16. CONTROL UNIT TO DASH PANEL	1	9197708
8	WASHER. 5 X 10. CONTROL UNIT TO DASH PANEL	1	9198055
9	NUT. RIVET. M5. CONTROL UNIT TO DASH PANEL	1	9197708



P18

P19 Ref	Part Description	Qty	Part No
CIGARETTE LIGHTER			
-	LIGHTER. ASSY.. CIGARETTE	1	9197026
-	RING. ASSY.. GLOW (RED)	1	9197028
LOUDSPEAKERS			
-	KIT. LOUDSPEAKER (ALPINE SPE1620)	1	9197620
-	KIT. LOUDSPEAKER	1	9197855
AERIAL			
1	ROD. ROOF AERIAL	1	90566812
2	BASE. ROOF AERIAL	1	90339506
3	NUT. M14. RADIO AERIAL	1	90339451
4	WASHER. M14. RADIO AERIAL	1	9197619
5	CABLE. AERIAL	1	9197618
ANTI-THEFT WARNING SYSTEM			
-	KIT. VEHICLE ALARM SYSTEM	1	9197648
-	-TRANSMITTER	2	9197635
-	LAMP. INDICATOR. ANTI-THEFT WARNING SYSTEM	1	9197636
-	-HORN. ASSY.. ANTI-THEFT WARNING SYSTEM	1	9197637
-	-SENSOR. ASSY.. ANTI-THEFT WARNING SYSTEM	1	9197638
-	SCREW. HEX.HD.. M4 X 15. ANTI-THEFT WARNING UNIT TO UPPER STEERING COLUMN BRACKET	2	9197887
-	WASHER. SHAKEPROOF. 4MM. ANTI-THEFT WARNING UNIT TO UPPER STEERING COLUMN BRACKET	2	9197886



P19

-	WASHER. 4 X 9 X 0.8. ANTI-THEFT WARNING UNIT TO UPPER STEERING COLUMN BRACKET	2	9198020
-	BRACKET. SENSOR. ANTI-THEFT WARNING SYSTEM	1	9197177
-	FASTENER. ANTI-THEFT WARNING SENSOR	2	9197674
-	SWITCH. ANTI-THEFT WARNING SYSTEM	2	9197640
-	BRACKET. BONNET SWITCH. ANTI-THEFT WARNING SYSTEM	1	9197641
-	SCREW. RD.HD.. M5 X 16. ALARM SIREN BRACKET	4	9197708
-	NUT. SELF LOCKING. M5. ALARM SIREN BRACKET	4	9198054
-	WASHER. 5 X 10. ALARM SIREN BRACKET	4	9198055

ENGINE IMMOBILIZER CONTROL UNIT

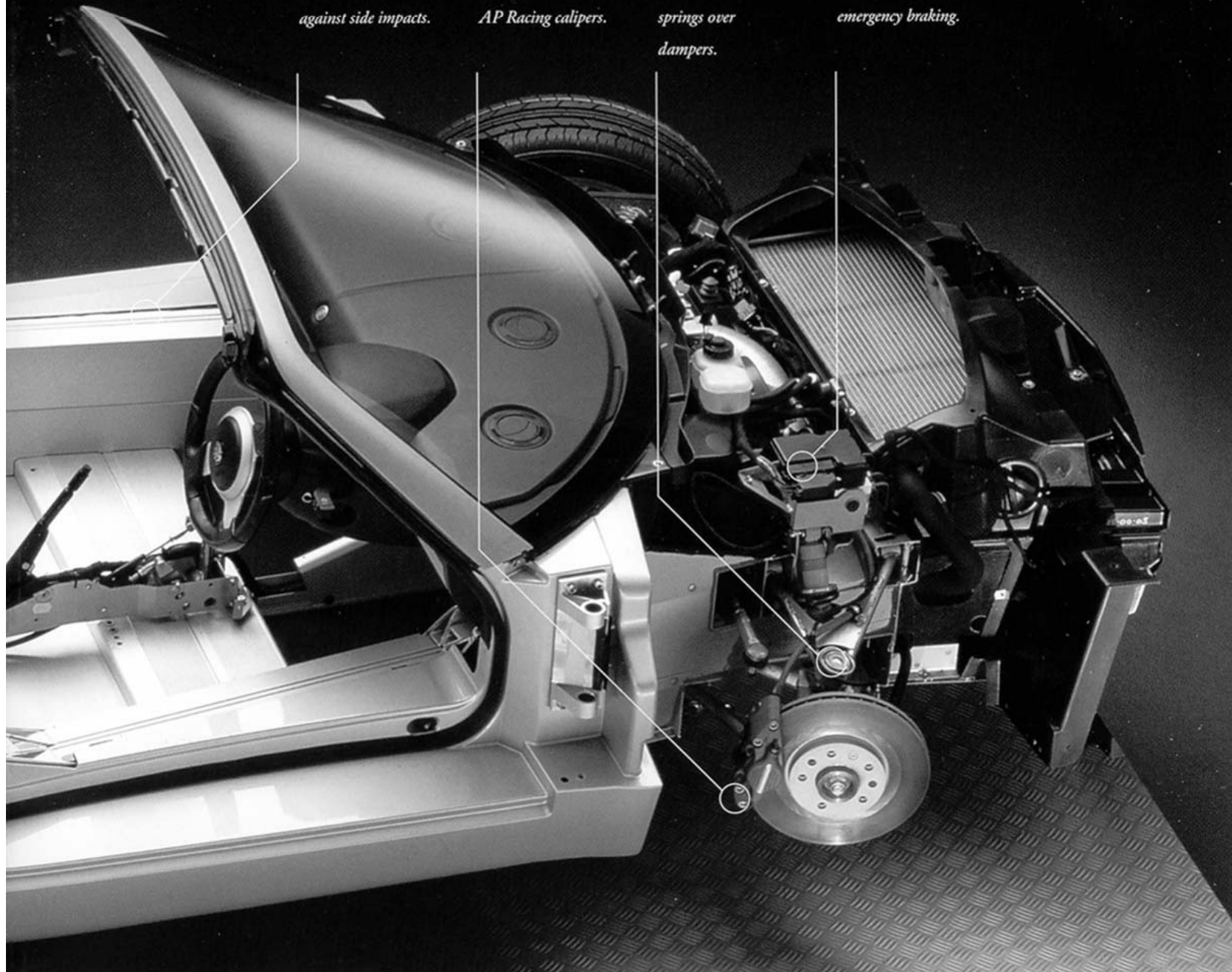
-	UNIT. CONTROL. IGNITION SWITCH IMMOBILIZER (IDENT ED)	1	24418927
-	UNIT. CONTROL. IGNITION SWITCH IMMOBILIZER (IDENT LS)	1	24445098

Strengthened chassis side members, together with door beams (not shown), help to protect against side impacts.

Front brakes feature 288mm diameter ventilated discs mounted on five-bolt hubs with AP Racing calipers.

Front and rear suspension features racing car inspired double wishbones with single coil springs over dampers.

Advanced electronic anti-lock braking system (ABS) helps maintain steering control during emergency braking.



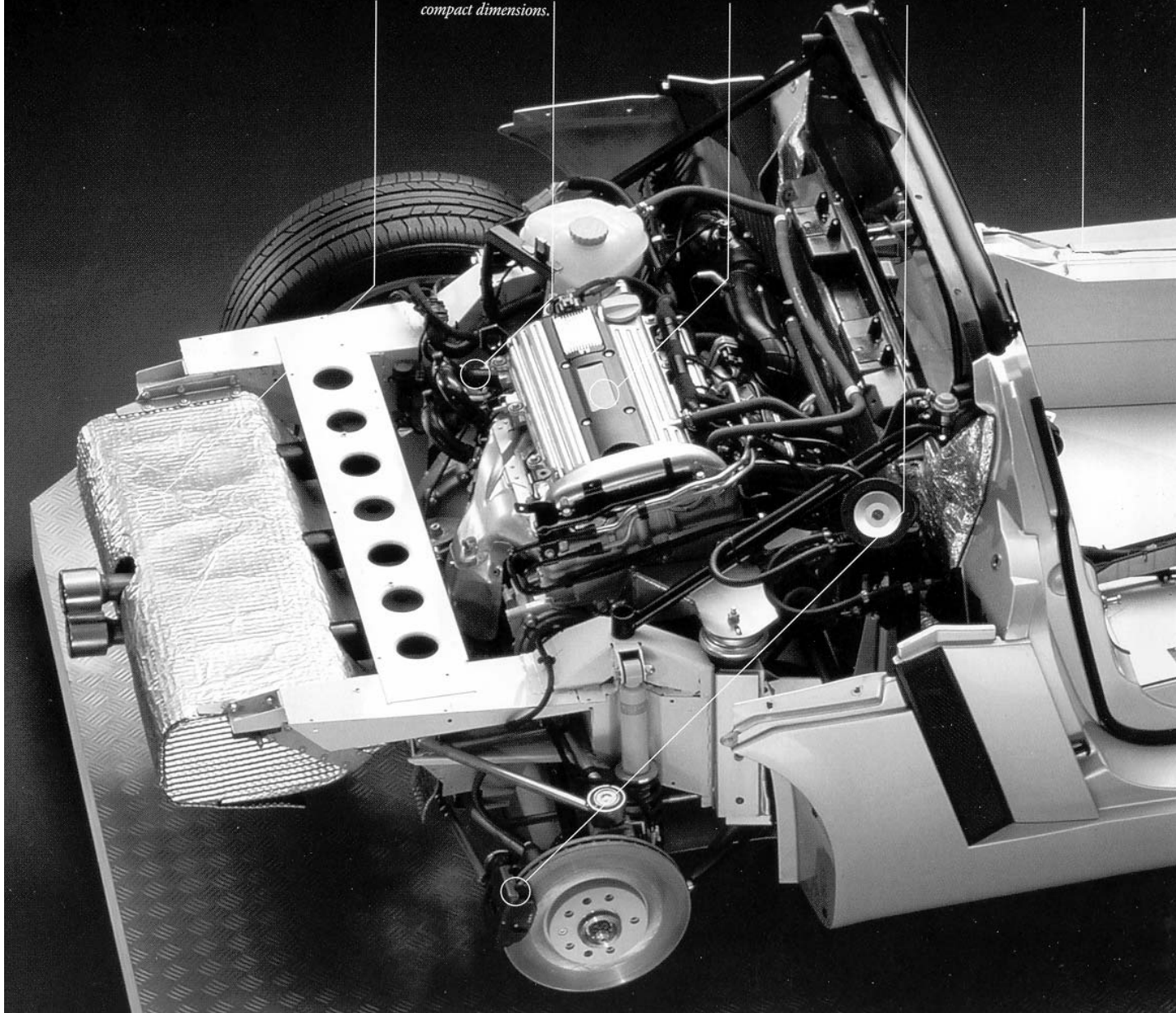
In a typical example of innovative weight saving, the exhaust silencer forms an integral part of VX220's rear crumple zone.

The gearbox is a five-speed Getrag unit, featuring an advanced three-shaft design that is very robust and has the added benefit of very compact dimensions.

A new generation 2.2 litre, 147PS ECOTEC aluminium engine is mid-mounted to give VX220 optimum cornering abilities.

Rear brakes feature 288mm diameter ventilated discs mounted on five-bolt hubs with Brembo calipers.

The chassis is constructed from extruded anodised aluminium for greater strength and accuracy.



Filename: spares manual Master.doc
Directory: C:\Documents and Settings\Mike & Ursula\My Documents\Mike's\vx220
drawings\VX220 spares manual
Template: C:\Documents and Settings\Mike & Ursula\Application
Data\Microsoft\Templates\Normal.dot
Title: A1
Subject:
Author: Michael Fuller
Keywords:
Comments:
Creation Date: 2/16/2003 5:07 PM
Change Number: 30
Last Saved On: 3/2/2003 11:37 AM
Last Saved By: Michael Fuller
Total Editing Time: 1255 Minutes
Last Printed On: 3/5/2003 7:02 PM
As of Last Complete Printing
Number of Pages: 176
Number of Words: 18,774 (approx.)
Number of Characters: 107,016 (approx.)